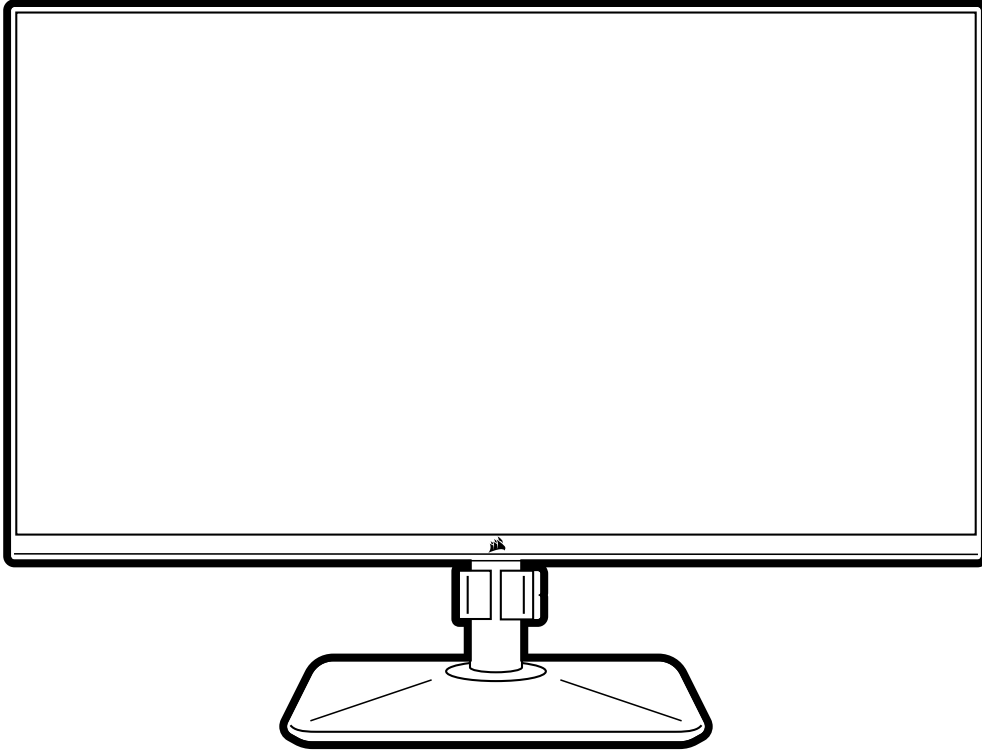




CORSAIR



XENEON

32QHD240 32-INCH GAMING MONITOR

EN ENGLISH

IT ITALIANO

TC 繁體中文

FR FRANÇAIS

ES ESPAÑOL

JA 日本語

DE DEUTSCH

PT PORTUGUÊS

KO 한국어

RU РУССКИЙ

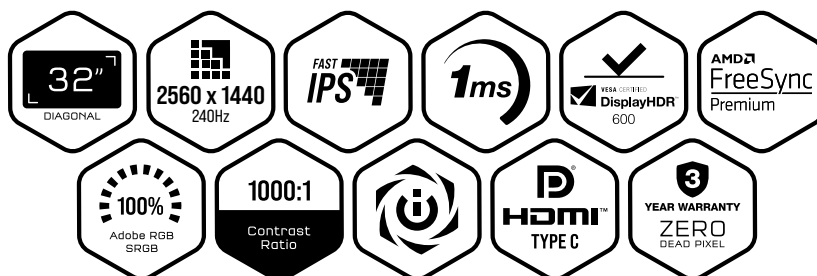


TABLE OF CONTENTS

PRECAUTIONS	2
PACKAGE CONTENTS	3
ASSEMBLY	4
TILT, SWIVEL AND HEIGHT ADJUSTMENT	5
CABLE MANAGEMENT, CAMERA MOUNT (OPTIONAL) & OTHER MOUNTING OPTIONS	6
CONNECTIVITY	8
OPERATION	9
CONTROLS	9
ON-SCREEN DISPLAY (OSD)	9
OSD – PICTURE SETTINGS	10
OSD – OSD SETTING	12
OSD – SYSTEM SETTING	13
OSD – AUDIO	15
OSD – INPUT SELECT	16
OSD – INFORMATION	17
FREQUENTLY ASKED QUESTIONS / TROUBLESHOOTING	18
APPENDIX	21
TECHNICAL SPECIFICATIONS	21
SUPPORTED DISPLAY MODES	22
HDMI LEGAL DISCLOSURE	24



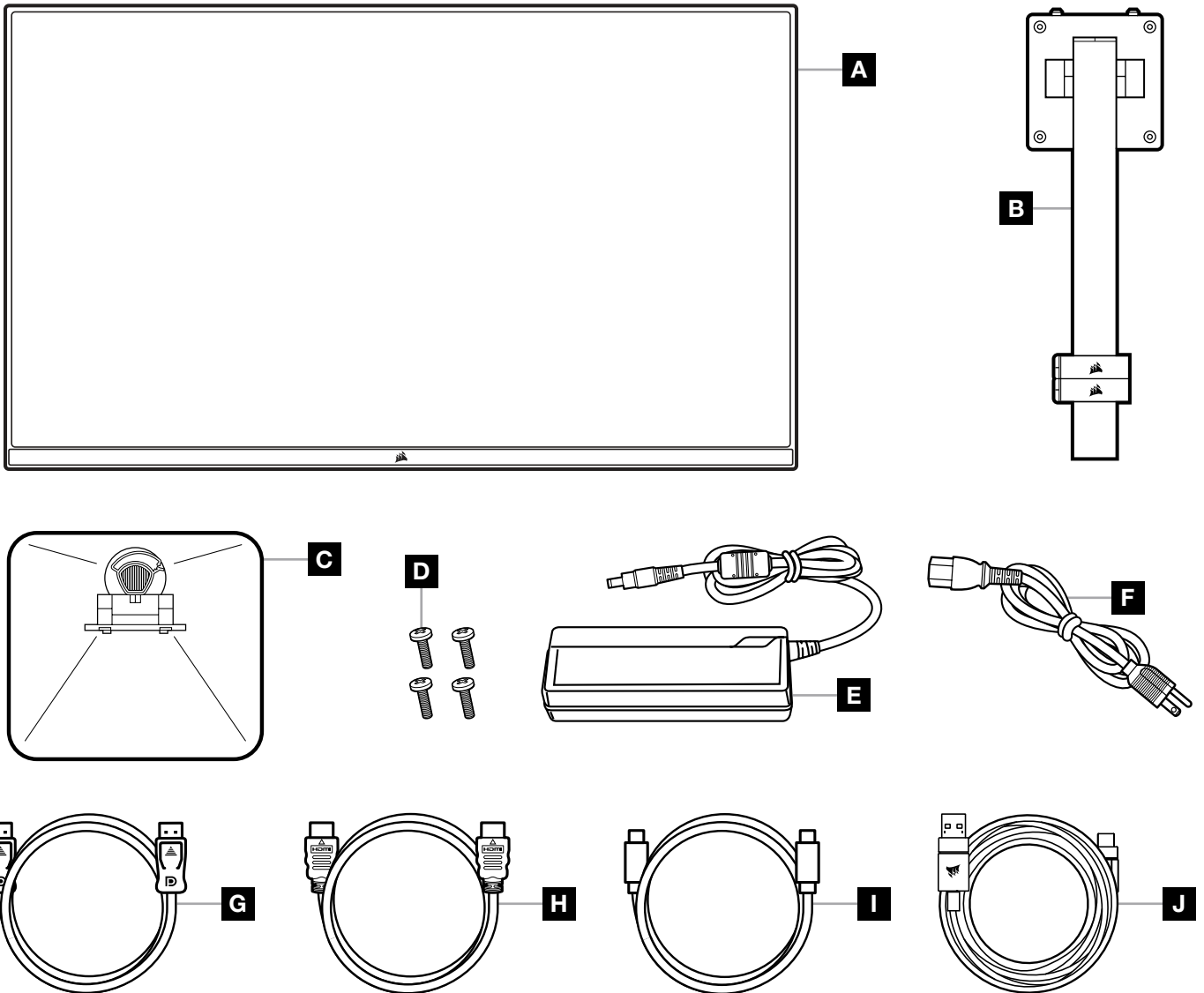
Scan QR code for Quick Start Guide and Setup Videos

Product Setup, User Information, and Warranty/Dead Pixel policy can be found at <https://qsg.corsair.com/xeneon-monitors>

PRECAUTIONS

- Only use the accessories that are provided with the monitor or that are recommended by the manufacturer.
- Keep the plastic packaging bag for the product in a place that cannot be reached by children.
- Before connecting the monitor to the power outlet, make sure that the voltage rating of the power cable is compatible with the power specification in the country where you are located.
- The power cord plug must be connected to a properly wired and grounded power outlet.
- Do not touch the plug with wet hands, otherwise can easily cause electric shock.
- Place the monitor in a stable and well-ventilated place.
- Do not place the monitor near any heat sources such as electric radiators or direct sunlight.
- The holes or openings on the monitor are for ventilation. Do not cover or block the ventilation holes with any objects.
- Do not use the monitor near water, drinks, or any type of liquids. Failure to do so may result in electric shock or damage to the monitor.
- Make sure to unplug the monitor from the power outlet before cleaning.
- As the screen surface can be easily scratched, avoid touching the surface with any hard or sharp object. Use a soft lint-free cloth instead of a tissue to wipe the screen. You may use a glass cleaner to clean the equipment if required. However, never spray the cleaner directly onto the screen.
- Disconnect the power cable if the equipment is not being used for a long period of time.
- Do not attempt to disassemble or repair the monitor yourself.

XENEON 32QHD240 DISPLAY CONTENTS



A XENEON 32QHD240 DISPLAY PANEL

B MOUNTING POST (FOR CM-9020002 ONLY)

C STAND (FOR CM-9020002 ONLY)

D MOUNTING SCREWS (x4)

E AC ADAPTER

F AC POWER CABLE

G DISPLAYPORT CABLE (1.5M)

H HDMI CABLE (1.5M)

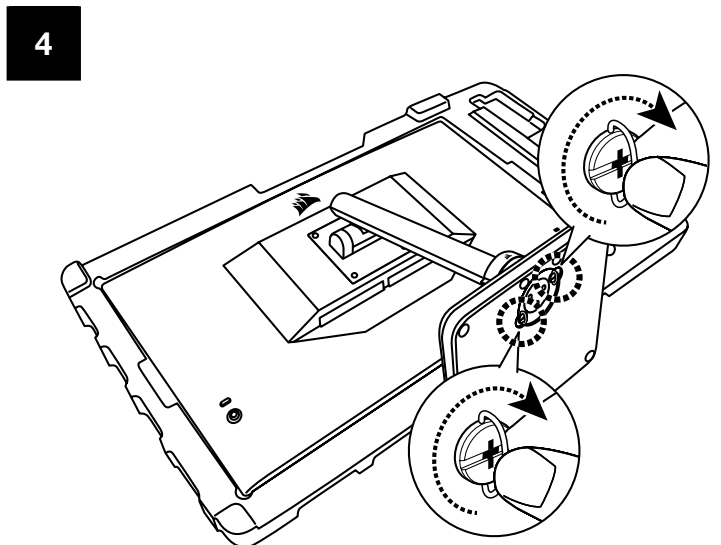
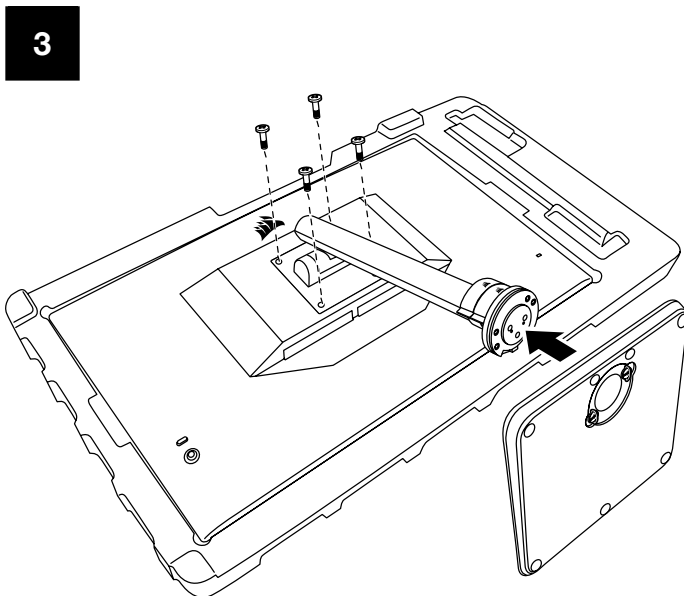
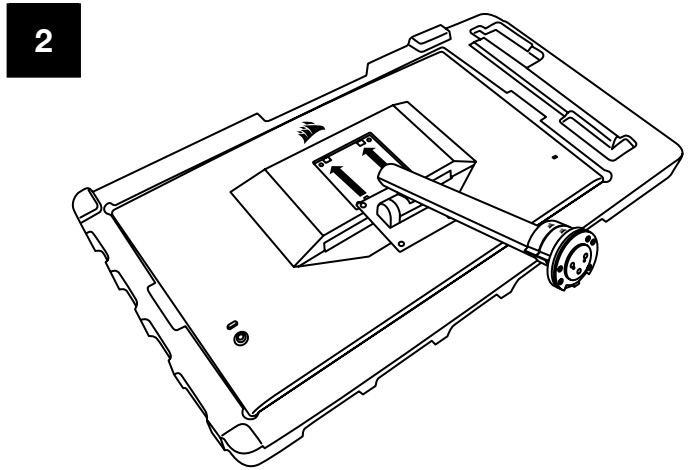
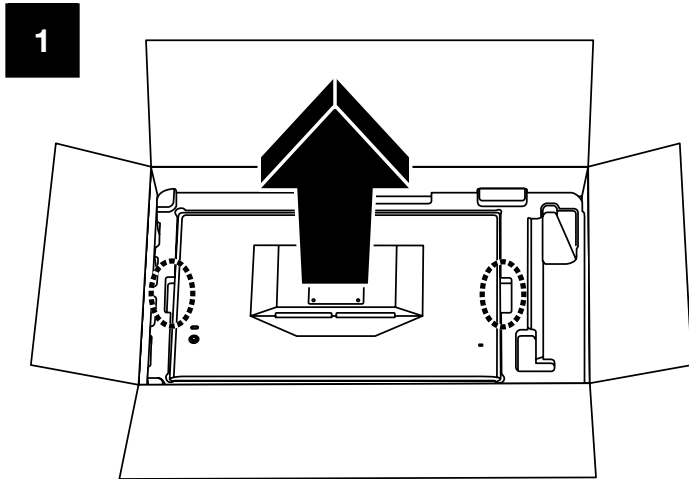
I USB-C CABLE (1.5M)

J USB-A TO USB-C CABLE (1.8M)

ASSEMBLY (FOR CM-9020002 ONLY)

Before you begin, you will need a Phillips head screwdriver.

1. Remove the top layer of foam that includes accessories and stand to expose the rear of the panel.
2. Carefully open the foam bag covering the panel (see image 1) to expose the mounting area. Do not remove the panel from the bag.
3. Align the monitor post with the mounting slots on the back of the panel (see image 2). Slide the upper hooks into the mounting slots on the rear of the panel. Using a Phillips screwdriver, secure the post to the panel with the 4 screws (see image 3).
4. Attach the stand base to the monitor post (see image 3) and tighten the captive thumbscrew into the bottom of the post (see image 4).
5. Slowly remove the monitor from the packaging and sit upright on your desk. Do not touch the front of the panel while lifting the monitor.



TILT, SWIVEL AND HEIGHT ADJUSTMENT (FOR CM-9020002 ONLY)

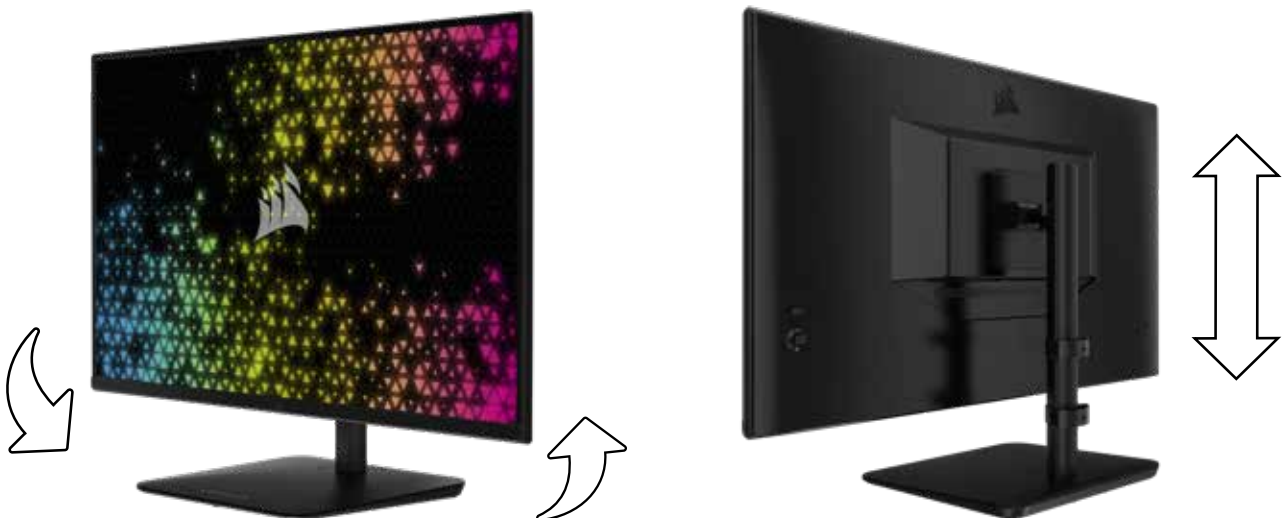
Your Xeneon display features a sturdy and stylish stand that offers tilt, swivel, and height adjustment.

- Tilt -5 / +20 degrees
- Swivel \pm 30 degrees
- Height Adjust Range 68mm

TILT



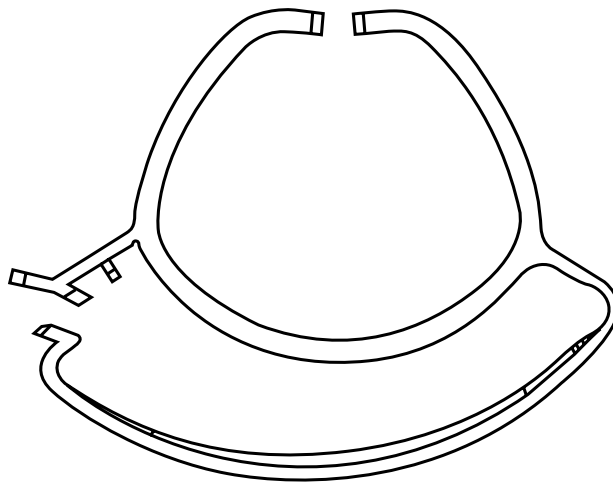
SWIVEL & HEIGHT ADJUSTMENT



RAPIDROUTE CABLE MANAGEMENT (FOR CM-9020002 ONLY)



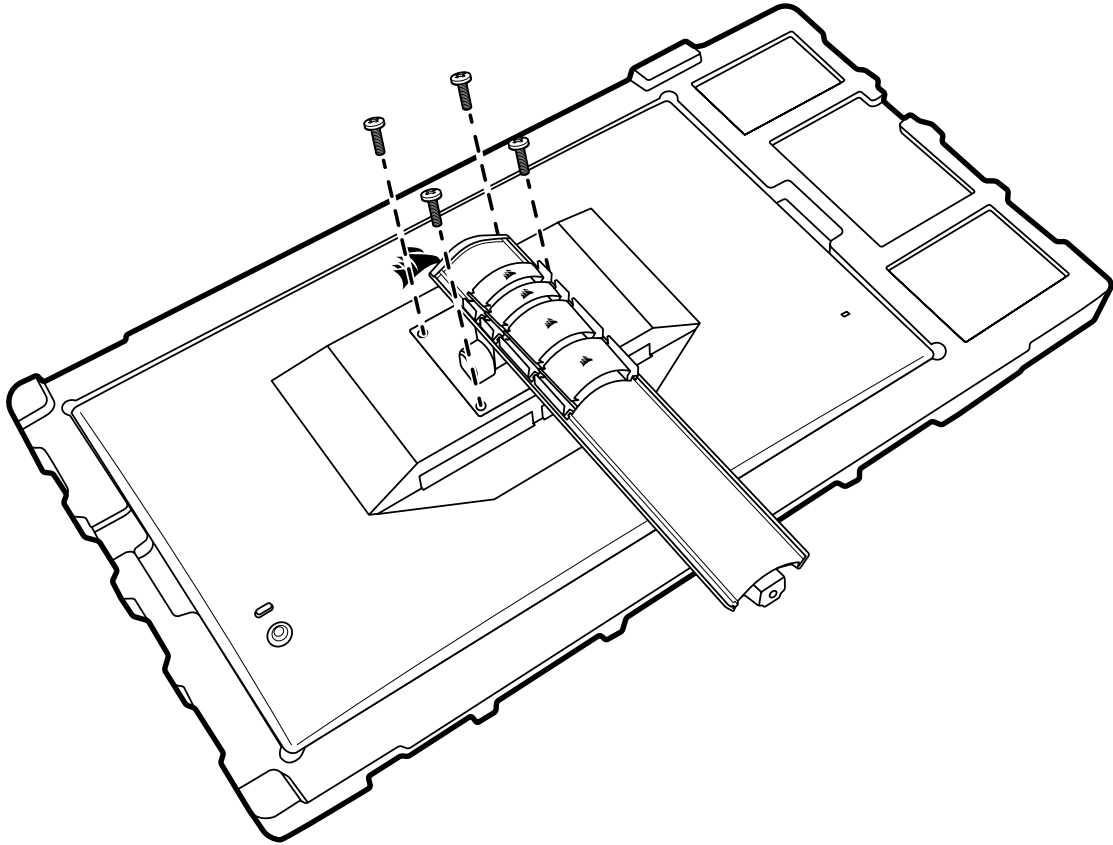
Your Xeneon display has built-in RapidRoute cable management to keep your desktop tidy. There are 2 adjustable cable clips that slide up and down the monitor post to allow for customizing your cable management needs. Open each cable clip by pressing the thumb clasp to the left and pulling out on the cable clip.



WALL MOUNT COMPATIBILITY

Before mounting your display with compatible wall mount (VESA 100mm x 100mm), make sure that:

- You have removed the stand from the display with a Phillips screwdriver
- The wall mount bracket that you purchased supports the weight of this display

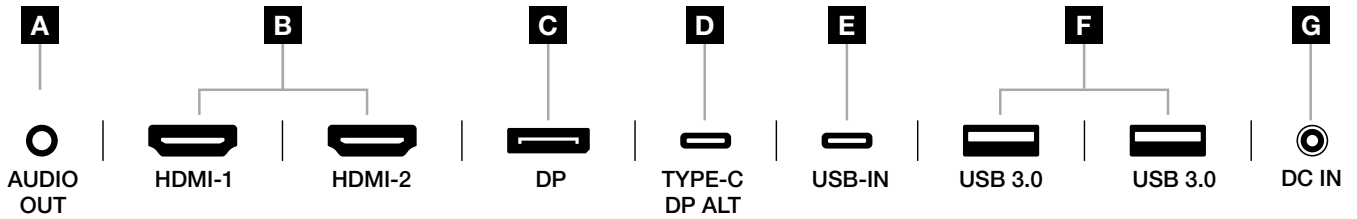


Review the instructions that came with your wall mount for more information about how to correctly mount your display.

WARNING: Your display has four VESA mounting holes on the back. You must secure a wall mount bracket to all four holes. If you do not use all four holes, your display may fall and cause property damage or personal injury.

Note: Wall-mount screws are not included. Screws: type M4, 14mm to 16mm length depending on wall mount.

CONNECTIVITY



- A. 3.5mm Audio Jack**
Audio output from connected HDMI, DisplayPort, and USB-C Alt Mode devices.
- B. HDMI 2.0 Ports**
Dual HDMI inputs correspond to “HDMI-1” and “HDMI-2” inputs.
- C. DisplayPort 1.4 Port**
DisplayPort input corresponds to “DisplayPort” input.
- D. USB Type-C Port**
Supports DisplayPort Alt Mode and upstream USB input (connects to USB 3.0 ports). Corresponds to “TYPE-C” input. This port or the USB Upstream Port must be connected to a USB-capable port on your host device to support CORSAIR iCUE functionality and downstream USB 3.0 ports.
- E. USB-IN Port**
Upstream USB input port. This port or the USB Type-C Port must be connected to a USB-capable port on your host device to support CORSAIR iCUE functionality and downstream USB 3.0 ports.
- F. USB 3.0 Ports**
Dual Type-A 5Gbps USB ports.
- G. DC In**
Connects to included AC adapter.

OPERATION

CONTROLS

 — POWER ON/OFF

 — PRESS — Open Display Settings

UP — Open Brightness Slider
DOWN — Open Picture Mode Select
LEFT — Open Volume Slider
RIGHT — Open Input Source Select



Your monitor includes a joystick on the rear, right facing side for opening shortcuts and navigating display settings. Note that many of these settings can also be controlled in CORSAIR iCUE software if you have the USB hub connected to your computer via USB IN port.

Please install the latest version of iCUE (4.24 or later) available at <https://www.corsair.com/us/en/icue>.

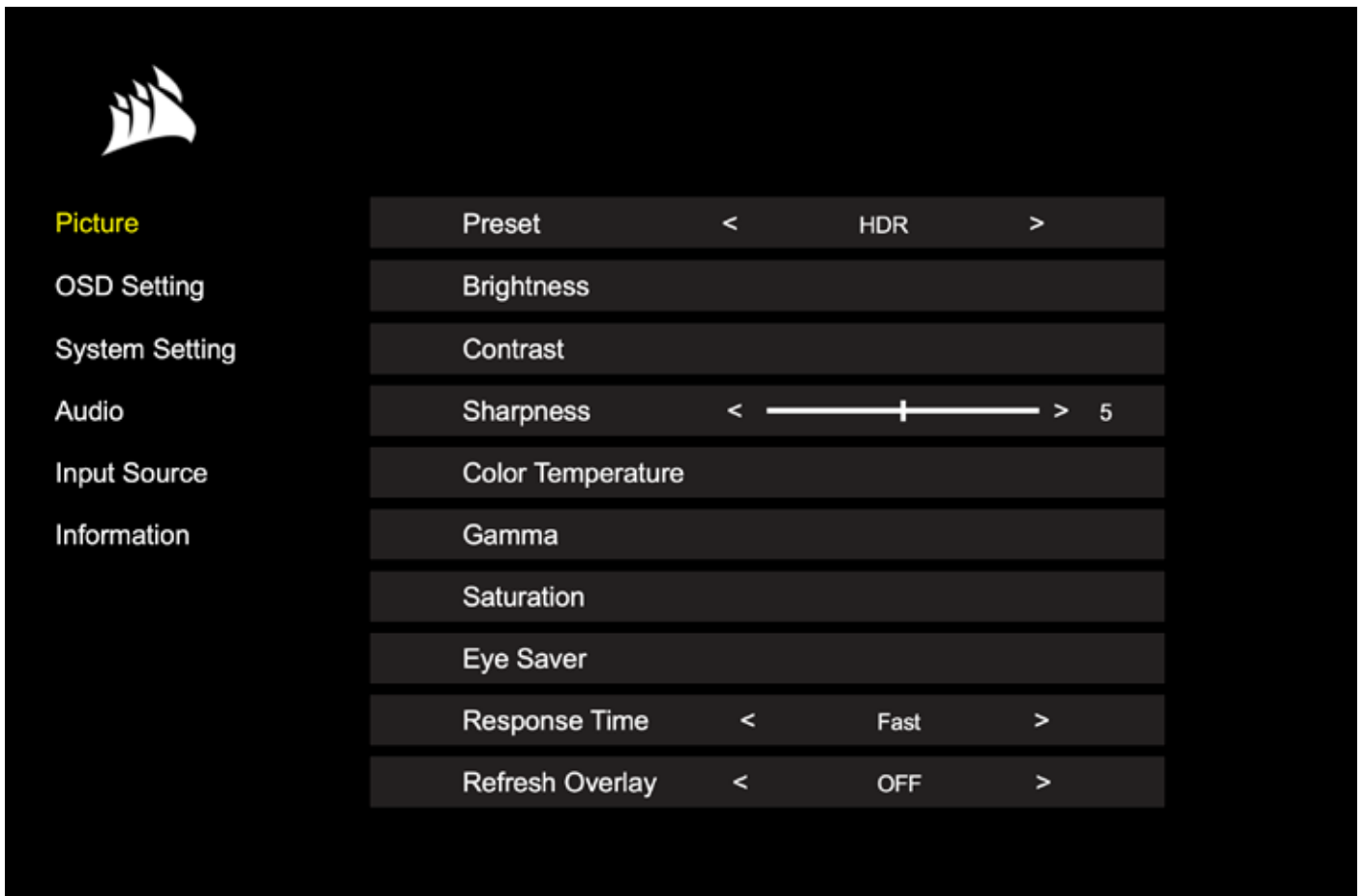
ON-SCREEN DISPLAY (OSD)

By pressing the joystick inward, you can access your monitor's display settings. You can use the joystick to navigate the settings and pressing the joystick inward will confirm your selection.

OPERATION

OSD – PICTURE SETTINGS

The first menu, labeled “Picture”, contains the following settings for adjusting the overall picture quality.



OPERATION

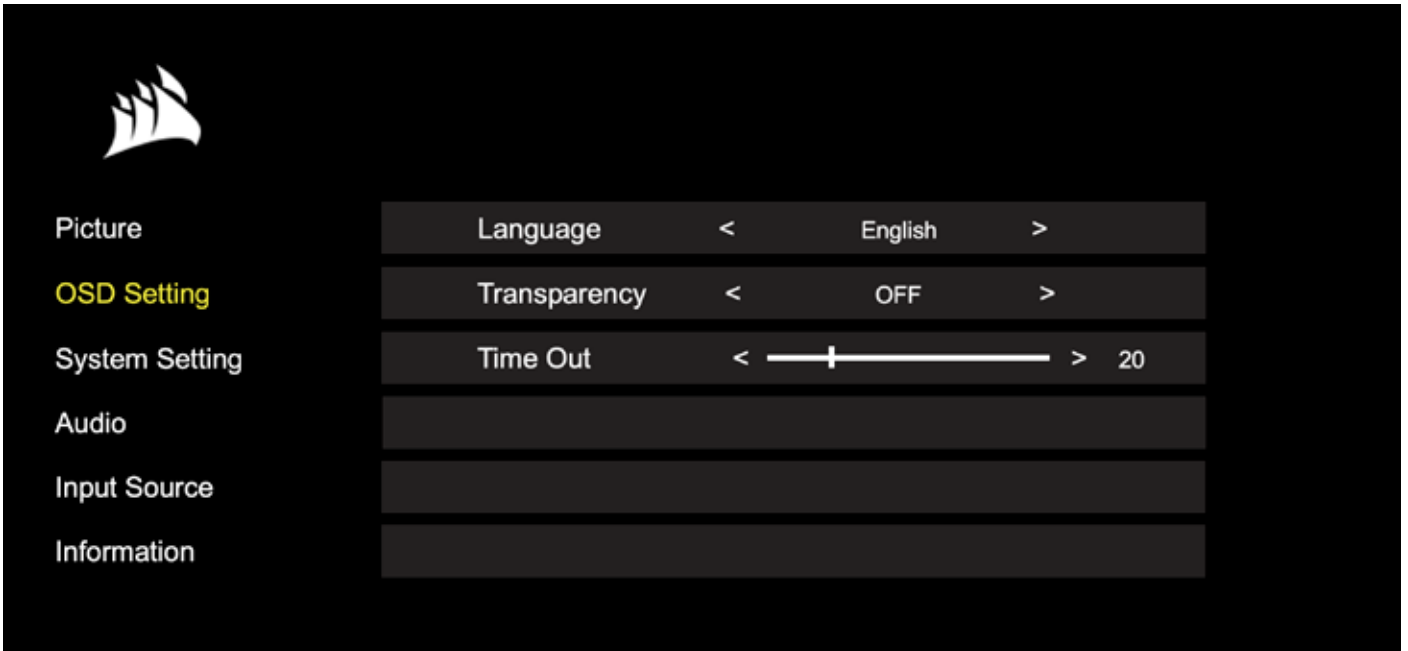
OSD – PICTURE SETTINGS

SETTING	OPTIONS	DESCRIPTION
Picture Mode	Standard	Selects a display preset factory calibrated for general use and best power savings
	Movie	Selects a display preset optimized for watching movies
	Text	Selects a display preset optimized for reading text
	sRGB	Selects a display preset factory calibrated to the sRGB color space
	Creative	Selects a display preset factory calibrated for content creation tasks
	Game	Selects a display preset optimized for playing fast moving games
	DCI-P3	Selects a display preset optimized for HDR content in DCI-P3 color space
	AdobeRGB	Selects a display preset optimized for HDR content in AdobeRGB color space
	HDR	Shows HDR when HDR-mode is selected in your System Operating System
Brightness	0-100	Adjusts the intensity of the display backlight
Contrast	0-100	Adjusts the display's contrast
Sharpness	0-10	Adjusts the display's sharpening filter, increasing edge detail
Color Temperature	Cool	Sets the display's color temperature to 9300K
	Normal	Sets the display's color temperature to standard 6500K
	Warm	Sets the display's color temperature to 5000K
	Custom	Allows you to manually set the display's color temperature with sliders controlling the red, blue, and green levels
Gamma	2.0, 2.2, 2.4	Adjusts the relationship between color and brightness; default is 2.2
Saturation	0-10	Adjusts the intensity of the display's colors
Eye Saver	ON or OFF	Reduces blue light emissions of display when enabled
Response Time	Normal, Fast, Faster, Fastest, Dynamic OD	Let you increase how fast pixels can transition between colors, which can reduce the blurring of fast-moving objects
Refresh Overlay	ON or OFF	Toggles an overlay in the top right corner which displays the monitor's current refresh rate, useful for tracking frames per second when Adaptive Sync is enabled
MPRT	ON or OFF	Toggles the "Moving Picture Response Time" setting, which can reduce blurring of moving objects when set to "On"
Local Dimming	ON or OFF	To turn off specific portions of the backlight for deeper black and better contrast ratio
Crosshair	OFF, Dot, Cross, Angle	Enable Crosshair function

OPERATION

OSD – OSD SETTING

The second menu, labeled “OSD Setting”, contains the following settings for adjusting the on-screen display.

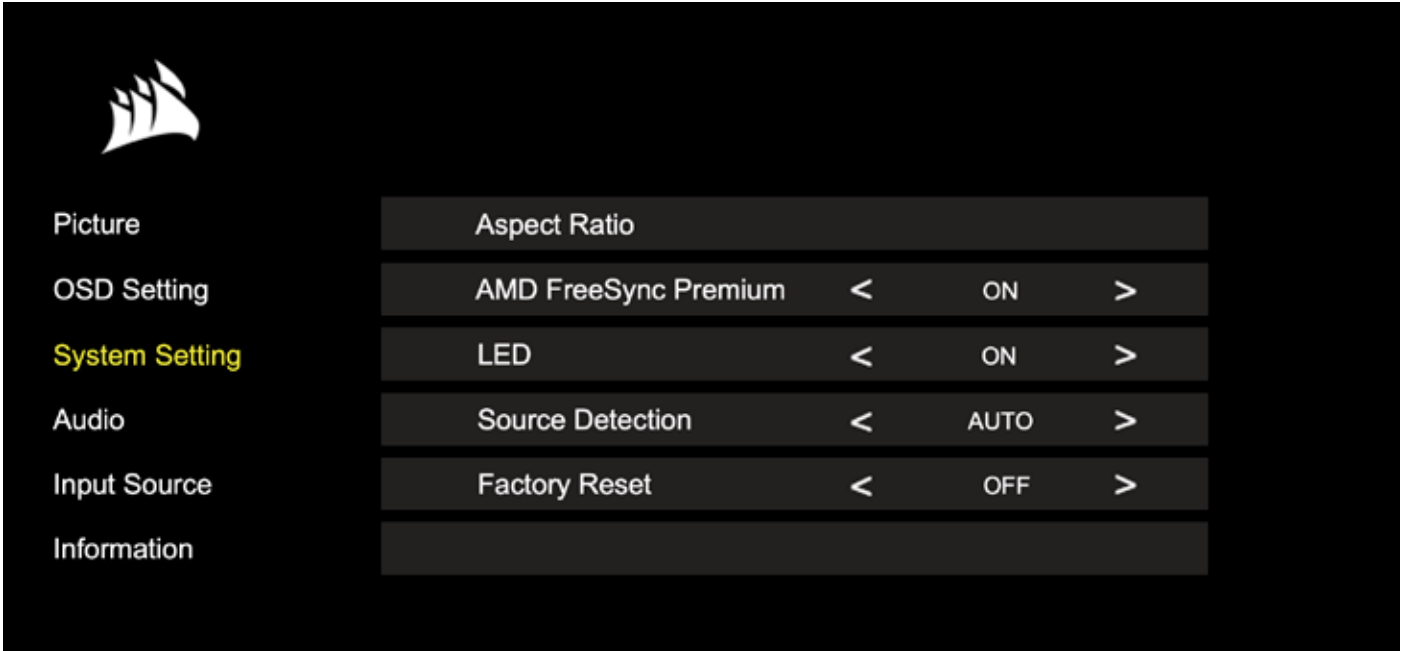


SETTING	OPTIONS	DESCRIPTION
Language	English Français Deutsch Italiano Español Português Русский 繁體中文 日本語 한국어	Selects the OSD's language
Transparency	ON or OFF	Sets the OSD to be transparent or opaque
Time Out	10-60	Adjusts how long (in seconds) the OSD stays on screen before disappearing

OPERATION

OSD – SYSTEM SETTING

The third menu, labeled “System Setting”, contains the following settings for adjusting the display’s internal settings.



OPERATION

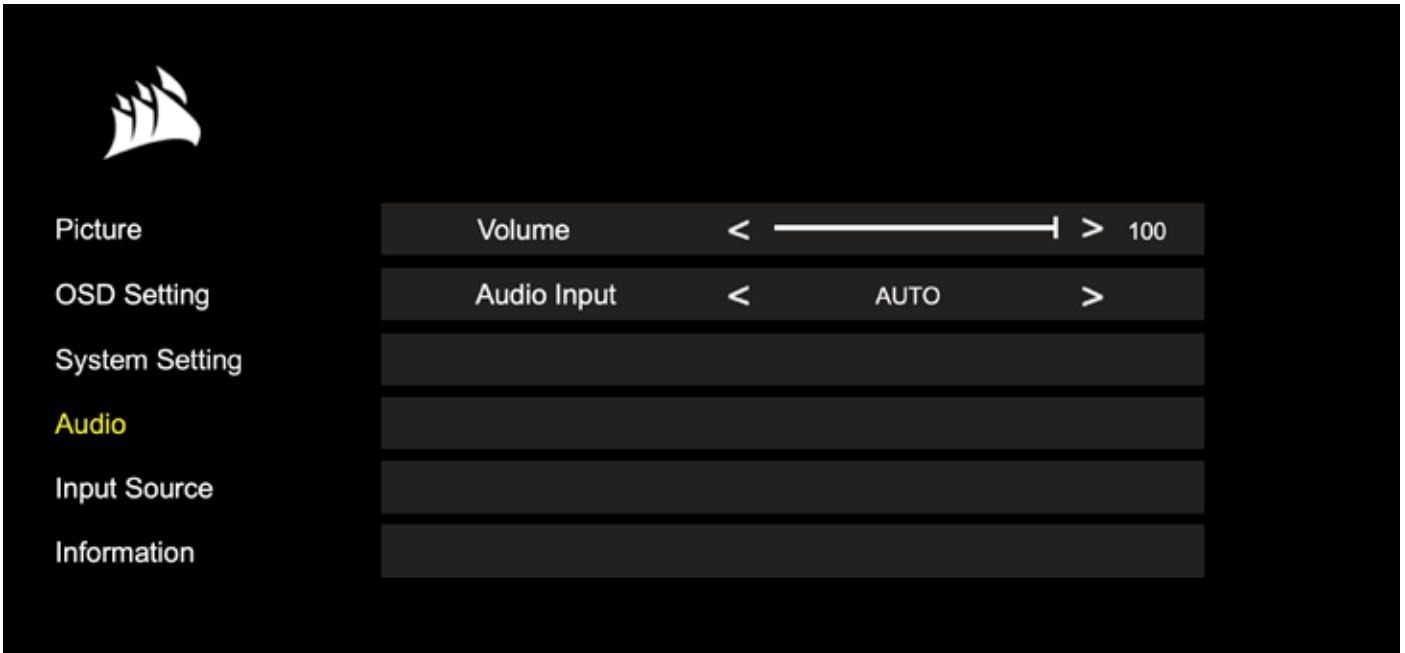
OSD – SYSTEM SETTING

SETTING	OPTIONS	DESCRIPTION
Aspect Ratio	Auto, 4:3, 16:9	Selects the display's aspect ratio. "Auto" will try to match the display's aspect ratio to the incoming video signal. Not available with Adaptive Sync enabled
AMD FreeSync Premium	ON or OFF	<p>Enables or disables the adaptive sync functionality when connected to a compatible GPU. Select ON to enable Adaptive Sync for AMD FreeSync via HDMI</p> <p>NVIDIA G-Sync compatibility is available when connected via DP cable or USB Type-C Alt Mode cable to compatible GPU. For NVIDIA G-Sync functionality:</p> <ul style="list-style-type: none"> • Install/Open NVIDIA Control Panel • Select "Set up G-Sync" • Select Enable G-Sync Compatible checkbox • Select the 32QHD240/RDD0020 • Select the "Enable settings for the selected display model" checkbox <p>May require a system reboot to access NVIDIA settings</p>
LED	ON or OFF	Selects front Power LED indicator ON or OFF
Source Detection	AUTO or MANUAL	Determines whether the display will automatically switch to a different input if it detects a signal, or if you will need to manually switch between inputs
USB-C Alt Mode (only present when the display is connected through USB-C video port)	4-lane 2-lane	<p>Toggles the number of USB lanes to use on the USB-C port for video</p> <ul style="list-style-type: none"> • 4-Lane Mode allows up to 2560x1440@240Hz resolution but reduces the speed of the USB Type-A ports to USB 2.0 • 2-Lane Mode allows for up to 2560x1440@120Hz but enables USB Type-A at USB 3.0 speed
Factory Reset	ON or OFF	Resets all monitor settings to their factory defaults

OPERATION

OSD – AUDIO

The fourth menu, labeled “Audio”, lets you control the display’s audio.

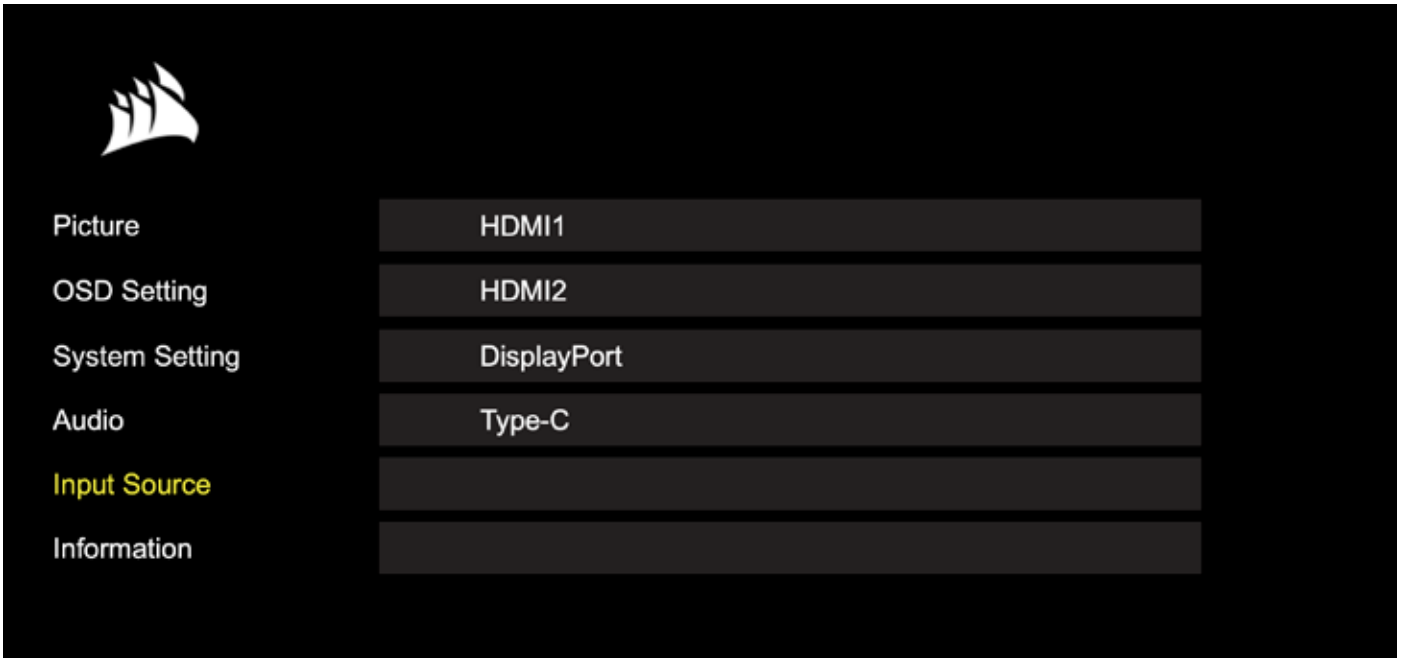


SETTING	OPTIONS	DESCRIPTION
Volume	0-100	Adjusts the volume of the audio output from the headphone jack
Audio Input	Auto, HDMI-1, HDMI-2, DisplayPort, USB Type-C	Selects which input the display passes audio to the headphone jack from. “Auto” will use the current input

OPERATION

OSD – INPUT SELECT

The fifth menu, labeled “Input Select”, lets you switch between the display’s different inputs.

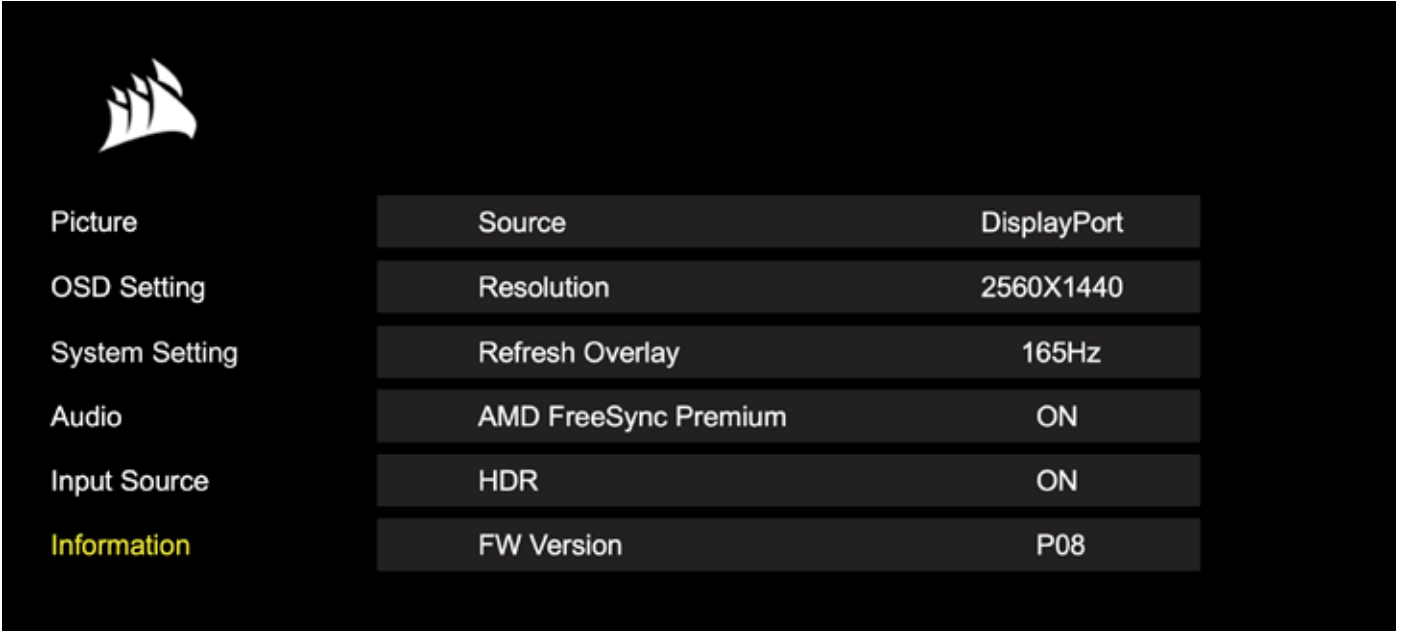


SETTING	DESCRIPTION
HDMI-1	Switches to the device connected to the HDMI-1 port
HDMI-2	Switches to the device connected to the HDMI-2 port
DisplayPort	Switches to the device connected to the “DP” DisplayPort port
TYPE-C	Switches to the device connected to the TYPE-C port

OPERATION

OSD – INFORMATION

Provides current settings status for key features.



The screenshot shows the OSD Information menu with a white sailboat icon in the top left. The menu items are listed on the left, and their corresponding settings are shown on the right. The 'Information' item is highlighted in yellow.

Picture	Source	DisplayPort
OSD Setting	Resolution	2560X1440
System Setting	Refresh Overlay	165Hz
Audio	AMD FreeSync Premium	ON
Input Source	HDR	ON
Information	FW Version	P08

SETTING	DESCRIPTION
Source	Display the current input source
Resolution	Display the current display resolution
Refresh Overlay	Display the current refresh rate
AMD FreeSync Premium	AMD FreeSync Premium Status
HDR	HDR Status
FW Version	Shows the current FW version

OPERATION

CORSAIR XENEON 32QHD240 GAMING MONITOR FAQ

QUESTION	ANSWER																						
Power LED not on	Press the power button on the back of your monitor to check if it is set to ON.																						
	Check to see if the power cable is fully plugged into the monitor as well as the power adapter.																						
	Check Power LED toggle in OSD System Setting Menu is toggled on.																						
No image on screen	Check to see if your monitor is on.																						
	Check to see if the video cable is properly connected to the monitor as well as the source device.																						
	Check the quality of the video cable and ensure that it isn't damaged. Avoid low quality video cables and extensions.																						
	Check which video source input your monitor is set to (if the Auto Source feature is disabled in OSD).																						
	Connect another source device to test monitor video input.																						
	Connect the source device to another available monitor to test video output.																						
	Avoid hot-plugging the monitor. Have the monitor connected to the source prior to powering up the source device.																						
Image too light/dark	Adjust the brightness/gamma/contrast settings via the OSD.																						
	Reset the monitor to factory settings.																						
Video signal not supported	Check the video output settings of the source device. Supported input resolutions for the CORSAIR XENEON 32QHD240 Gaming Monitor are:																						
	<table border="1"> <thead> <tr> <th>RESOLUTION</th> <th>REFRESH RATE</th> </tr> </thead> <tbody> <tr> <td>640x480</td> <td>60, 67, 72, 75Hz</td> </tr> <tr> <td>800x600</td> <td>56, 60, 72, 75Hz</td> </tr> <tr> <td>1024x768</td> <td>60, 70, 75Hz</td> </tr> <tr> <td>1280x1024</td> <td>60, 75Hz</td> </tr> <tr> <td>1440x900</td> <td>60Hz</td> </tr> <tr> <td>1680x1050</td> <td>60Hz</td> </tr> <tr> <td rowspan="2">1920x1080</td> <td>60Hz</td> </tr> <tr> <td>144, 165Hz (DP, Type-C)</td> </tr> <tr> <td rowspan="2">2560x1440</td> <td>60, 120, 144Hz</td> </tr> <tr> <td>165, 180, 240Hz (DP, Type-C)</td> </tr> <tr> <td>3840x2160</td> <td>30, 60Hz (for Downscaled Console Support)</td> </tr> </tbody> </table>	RESOLUTION	REFRESH RATE	640x480	60, 67, 72, 75Hz	800x600	56, 60, 72, 75Hz	1024x768	60, 70, 75Hz	1280x1024	60, 75Hz	1440x900	60Hz	1680x1050	60Hz	1920x1080	60Hz	144, 165Hz (DP, Type-C)	2560x1440	60, 120, 144Hz	165, 180, 240Hz (DP, Type-C)	3840x2160	30, 60Hz (for Downscaled Console Support)
	RESOLUTION	REFRESH RATE																					
	640x480	60, 67, 72, 75Hz																					
	800x600	56, 60, 72, 75Hz																					
	1024x768	60, 70, 75Hz																					
	1280x1024	60, 75Hz																					
	1440x900	60Hz																					
	1680x1050	60Hz																					
	1920x1080	60Hz																					
		144, 165Hz (DP, Type-C)																					
2560x1440	60, 120, 144Hz																						
	165, 180, 240Hz (DP, Type-C)																						
3840x2160	30, 60Hz (for Downscaled Console Support)																						

OPERATION

CORSAIR XENEON 32QHD240 GAMING MONITOR FAQ

QUESTION	ANSWER
Does the CORSAIR XENEON 32QHD240 support video over USB-C?	Yes, the CORSAIR XENEON 32QHD240 supports DisplayPort over USB-C through the dedicated TYPE-C DP ALT input. Use the included 1.5m Type-C cable or a quality USB Type-C cable that supports USB 3.2 Gen 2 for best results.
I'm unable to use devices connected to the USB-A ports on my monitor when connected to my device that supports USB-C Alt Mode using a single USB-C cable	USB-C Alt Mode, by default will operate in "4 lane" mode which allows for full DisplayPort resolution over USB-C, however this disables the use of the USB Type-A ports. To re-enable the USB Type-A ports when connected solely via the TYPE-C DP ALT input, switch to "2 lane" mode which will limit the supported video output resolution in order to re-enable the USB Type-A ports for peripherals connected to the monitor's USB Type-A ports. Alternatively, you may connect the source device to the USB downstream port as well as the TYPE-C DP ALT port for full video resolution and USB port functionality. Ensure that you're using a quality USB Type-C cable that supports USB 3.2 Gen 2 for best results.
Image is stretched/squished	Check the "Aspect Ratio" setting under "System Setting". By default this is set to "Auto", however in certain instances, you may need to manually set an aspect ratio (ex: certain combinations of adapters and retro game consoles).
Image has color issues	Check the quality of the video cable and ensure that it isn't damaged. Avoid low quality video cables and extensions.
	Reset the monitor to factory settings.
	Adjust the picture settings via OSD.
Artifacts in onscreen image	Check the quality of the video cable and ensure that it isn't damaged.
	Check your source device, a faulty graphics card or game console may require contacting the manufacturer for assistance.
Monitor has a dead pixel	CORSAIR provides a "Zero Dead Pixel" policy for monitor products, if 1 or more bright pixels or 6 or more dark subpixels are found, the monitor will be exchanged during the 3-year warranty period.
What kind of VESA mount is compatible?	CORSAIR XENEON 32QHD240 supports a standard 100mm x 100mm mount, the monitor head must be removed from the stand. Use the mounting screws supplied with your VESA mount.

OPERATION

CORSAIR XENEON 32QHD240 GAMING MONITOR FAQ

QUESTION	ANSWER
Can I mount a webcam or DSLR/mirrorless camera?	CORSAIR XENEON 32QHD240 supports standard webcams that sit on the top bezel of the display.
My CORSAIR XENEON monitor isn't detected by CORSAIR iCUE	Check to ensure that your PC has the latest version of CORSAIR iCUE installed. The CORSAIR XENEON 32QHD240 is supported in iCUE version 4.24 or newer.
	Check to ensure that the cable connected to the USB-C upstream on the monitor and your PC's USB 3.0 port is properly connected. Avoid connecting the monitor through a USB hub or extension if possible. We strongly recommend using the USB-C cable provided with the CORSAIR XENEON monitor for best results.
What adaptive refresh rate options are available to CORSAIR XENEON?	The CORSAIR XENEON 32QHD240 is certified for AMD FreeSync Premium and is also NVIDIA G-SYNC compatible.
AMD FreeSync / G-SYNC aren't enabled	Check that AMD FreeSync is enabled via OSD.
	Check your graphics card settings and ensure that AMD FreeSync / NVIDIA G-SYNC are enabled. AMD FreeSync functions over any of the video ports. NVIDIA G-Sync compatibility only works over DP or USB Type-C Alt-Mode DP.
I'm not getting the monitor's rated 240Hz refresh rate	Check your graphics card/system display settings and ensure that the 240Hz refresh rate has been enabled. See Supported Display Mode Table in Appendix for available options.
	Check the quality of the video cable and ensure that it isn't damaged. Avoid low quality video cables and extensions.

APPENDIX

TECHNICAL SPECIFICATIONS

Product Name	XENEON 32QHD240
Part Number	With Stand CM-9020002-XX Without Stand CM-9020004-XX
Device	RDD0020
USB Hub ID	CORSAIR USB 3.0 Hub
Panel Size	32" Diagonal
Display Surface	Non-Glare
Pixels per inch	91.8
Aspect Ratio	16:9
Native Resolution	2560 x 1440 @ 240Hz
Response Time (MPRT)	1ms
Response Time (GtG)	5ms
Display Colors	16.7M colors (8bit RGB)
Panel Technology	IPS with Quantum Dot Technology
Flicker Free	Yes
Viewing Angles	178° (H) / 178° (V)
Peak Brightness	400 nit (SDR) / 600 nit (HDR)
Static Contrast Ratio	1000:1
HDR Certification	VESA DisplayHDR 600
Color Gamut (CIE 1976)	98% (DCI-P3), 100% (AdobeRGB), 100% (sRGB)
Variable Refresh Rate	AMD FreeSync Premium Certified, NVIDIA G-Sync compatible
HDMI Input	2x HDMI 2.0
DisplayPort Input	1x DisplayPort 1.4
USB-C Input	1x DisplayPort 1.4 (USB-C Alt Mode), 15W Power Delivery, USB 5Gbps Data Upstream
USB-C Upstream Input	1x 5Gbps USB-C
USB-A Output	2x 5Gbps Type-A USB (5V/0.9A *2)
3.5mm Audio	Yes, passthrough from video input

APPENDIX

TECHNICAL SPECIFICATIONS

Power Consumption (On)	40W
Power Consumption (Sleep)	<0.5W
Power Consumption (Off)	<0.3W
VESA Compatibility	100mm x 100mm
Dimensions	732mm x 553mm x 270mm (W x H x D)
Weight	8.4kg
Stand Tilt	-5° / +20°
Stand Swivel	-30° / +30°
Stand Height Adjustment Range	68mm
AC Adapter	150W
	Note: your device uses the following power supply: Asian Power Devices Inc. / DA-150E19

SUPPORTED DISPLAY MODES

RESOLUTION		REFRESH RATE	HDMI	DP/TYPE-C
640x480	VGA	60Hz	V	V
		67Hz	V	V
		72Hz	V	V
		75Hz	V	V
800x600	SVGA	56Hz	V	V
		60Hz	V	V
		72Hz	V	V
		75Hz	V	V
1024x768	XGA	60Hz	V	V
		70Hz	V	V
		75Hz	V	V

APPENDIX

SUPPPORTED DISPLAY MODES

RESOLUTION		REFRESH RATE	HDMI	DP/TYPE-C
1280x1024	SXGA	60Hz	V	V
		75Hz	V	V
1440x900	WXGA+	60Hz	V	V
1680x1050	WSXGA+	60Hz	V	V
1920x1080	FHD	60Hz	V	V
		144Hz		V
		165Hz		V
2560x1440	QHD	60Hz	V	V
		120Hz	V	V
		144Hz	V	V
		165Hz		V
		180Hz		V
		240Hz		V
480P	60Hz	V	V	
576P	50Hz	V	V	
720P	50Hz	V	V	
	60Hz	V	V	
	120Hz	V	V	
1080P	60Hz	V	V	
	120Hz	V	V	
2160P	30Hz	V	V	
	60Hz	V	V	

HDMI LEGAL DISCLOSURE



HDMI

The terms HDMI, HDMI High-Definition Multimedia Interface, HDMI Trade dress and the HDMI Logos are trademarks or registered trademarks of HDMI Licensing Administrator, Inc.

TABLE DES MATIÈRES

PRÉCAUTIONS	2
CONTENU DE L'EMBALLAGE	3
ASSEMBLAGE	4
RÉGLAGE DE L'INCLINAISON, DU PIVOTEMENT ET DE LA HAUTEUR	5
GESTION DES CÂBLES, SUPPORT DE CAMÉRA (FACULTATIF) ET AUTRES OPTIONS DE MONTAGE	6
CONNECTIVITÉ	8
FONCTIONNEMENT	9
CONTRÔLES	9
AFFICHAGE À L'ÉCRAN (OSD)	9
OSD – PARAMÈTRES D'IMAGE	10
OSD – PARAMÈTRE OSD	12
OSD – PARAMÈTRE SYSTÈME	13
OSD – AUDIO	15
OSD – SÉLECTION DE L'ENTRÉE	16
OSD – INFORMATIONS	17
FOIRE AUX QUESTIONS / RÉOLUTION DES PROBLÈMES	18
ANNEXE	21
CARACTÉRISTIQUES TECHNIQUES	21
MODES D'AFFICHAGE PRIS EN CHARGE	22
DIVULGATION JURIDIQUE HDMI	24



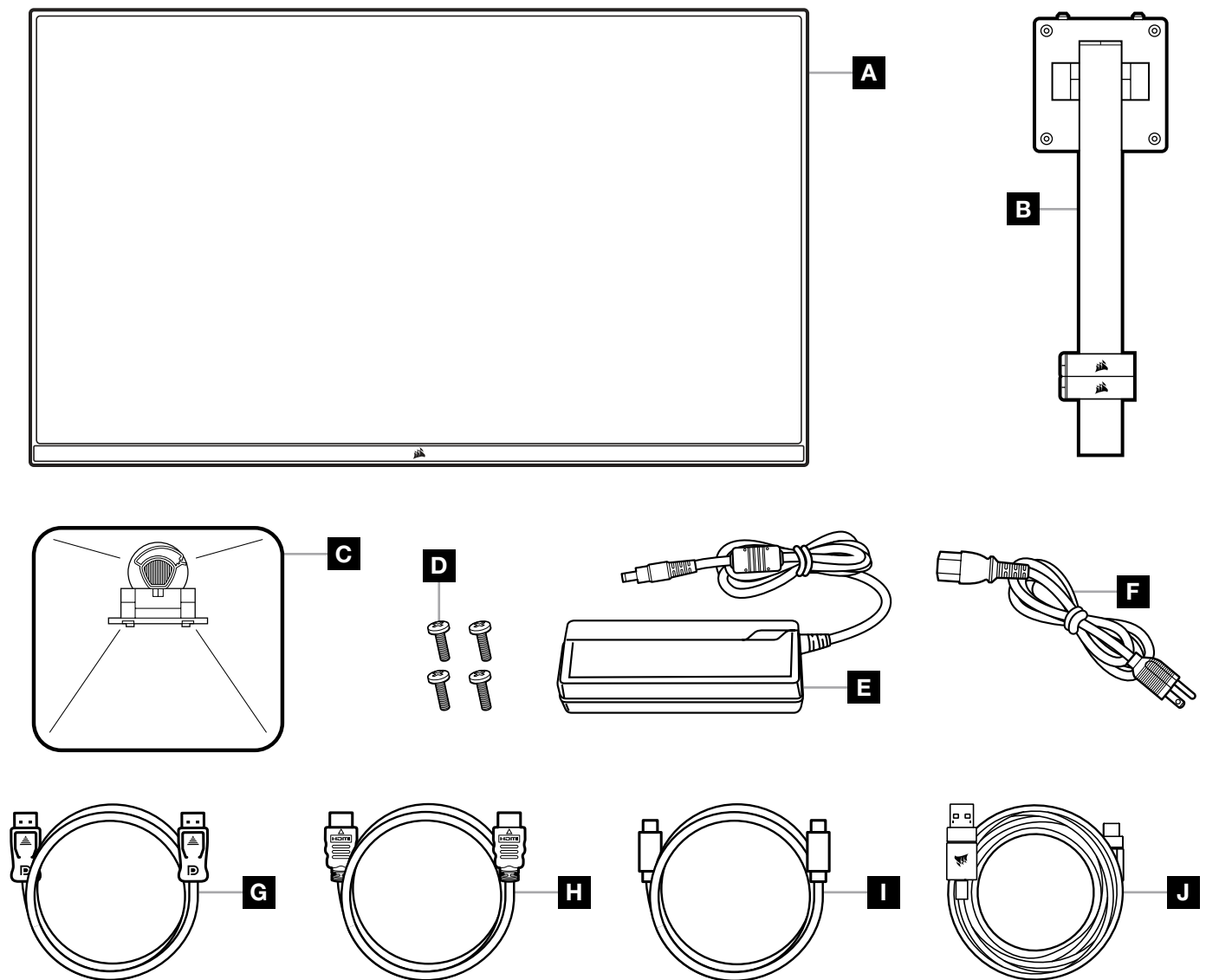
Scannez le QR Code pour obtenir un guide de démarrage rapide et des vidéos expliquant la configuration

Vous trouverez la configuration du produit, les informations utilisateur et la politique Garantie/Zéro pixel mort sur la page <https://qsg.corsair.com/xeneon-monitors>

PRÉCAUTIONS

- Veillez à n'utiliser que les accessoires fournis avec l'écran ou ceux recommandés par le fabricant.
- Mettez l'emballage plastique du produit dans un endroit hors de portée des enfants.
- Avant de brancher l'écran à la prise d'électricité, assurez-vous que la tension nominale du câble d'alimentation est compatible avec les normes en vigueur dans le pays où vous vous trouvez.
- La fiche du cordon d'alimentation doit être branchée à une prise de terre correctement câblée.
- Ne touchez pas à la fiche avec des mains humides pour éviter tout choc électrique.
- Placez l'écran dans un endroit stable et bien aéré.
- Ne placez pas l'écran à proximité de sources de chaleur comme un radiateur électrique ou la lumière directe du soleil.
- Les trous ou ouvertures sur l'écran sont là pour la ventilation. Ne recouvrez et ne bloquez pas les trous de ventilation avec un objet.
- N'utilisez pas l'écran à proximité d'eau, de boissons ou de tous types de liquide. Le non-respect de cette condition pourrait conduire à un choc électrique ou à l'endommagement de l'écran.
- Veillez à débrancher l'écran de la prise de courant avant de le nettoyer.
- La surface de l'écran étant facile à griffer, veillez à éviter de la toucher avec un objet dur ou pointu. Utilisez un chiffon non pelucheux plutôt qu'un mouchoir pour essuyer l'écran. Vous pouvez utiliser un nettoyant pour vitres pour nettoyer l'équipement si nécessaire. Veillez cependant à ne pas utiliser le spray directement sur l'écran.
- Débranchez le câble d'alimentation si vous ne comptez pas utiliser l'équipement pendant une longue période.
- N'essayez pas de désassembler ou de réparer l'écran vous-même.

CONTENUS DE L'ÉCRAN XENEON 32QHD240



A PANNEAU D’AFFICHAGE XENEON 32QHD240

B POTEAU DE MONTAGE
(POUR CM-9020002 UNIQUEMENT)

C PIED (POUR CM-9020002 UNIQUEMENT)

D VIS DE MONTAGE (x4)

E ADAPTATEUR CA

F CÂBLE D’ALIMENTATION CA

G CÂBLE DISPLAYPORT (1,5M)

H CÂBLE HDMI (1,5M)

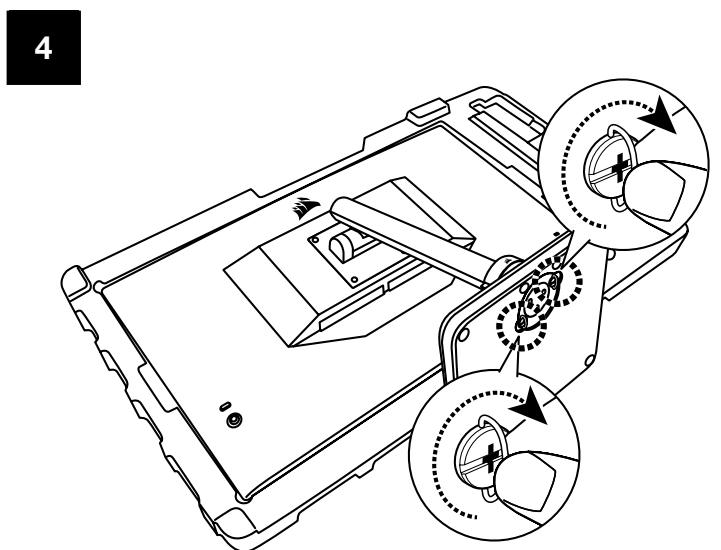
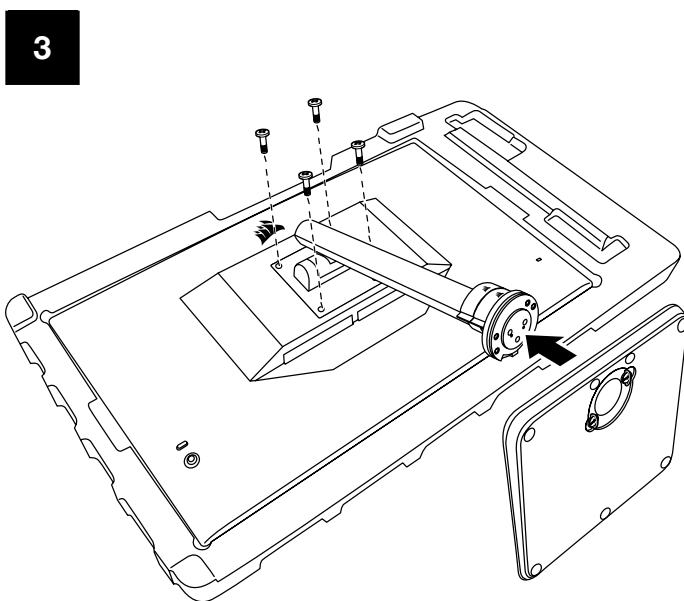
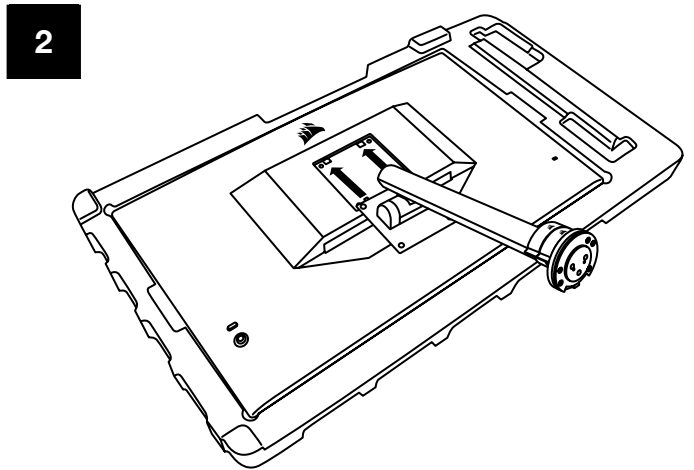
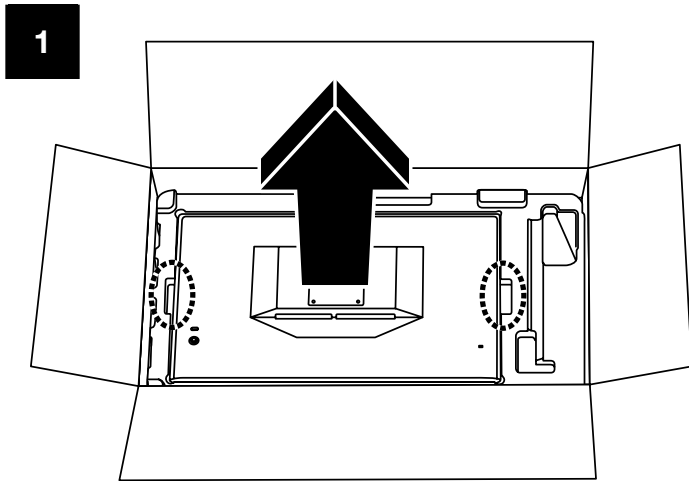
I CÂBLE USB-C (1,5M)

J CÂBLE USB-A VERS USB-C (1,8M)

ASSEMBLAGE (POUR CM-9020002 UNIQUEMENT)

Avant de commencer, munissez-vous d'un tournevis cruciforme.

1. Retirez la couche supérieure de mousse qui comprend les accessoires et le pied pour révéler l'arrière du panneau.
2. Ouvrez prudemment le sac en mousse qui recouvre le panneau (voir image 1) pour révéler la zone de montage. Ne retirez pas le panneau du sac.
3. Alignez le poste d'écran avec les emplacements de montage situés à l'arrière du panneau (voir image 2). Faites glisser les crochets supérieurs dans les emplacements de montage à l'arrière du panneau. À l'aide d'un tournevis Phillips, attachez fermement le poste au panneau avec les 4 vis (voir image 3).
4. Attachez la base du pied au poste d'écran (voir image 3) et serrez la vis moletée captive dans le bas du poste (voir image 4).
5. Retirez lentement l'écran de l'emballage et mettez-le à la verticale sur votre bureau. Veillez à ne pas toucher l'avant du panneau quand vous soulevez l'écran.



RÉGLAGE DE L'INCLINAISON, DU PIVOTEMENT ET DE LA HAUTEUR (POUR CM-9020002 UNIQUEMENT)

Votre écran Xeneon est doté d'un pied solide et élégant qui permet de régler son inclinaison, son pivotement et sa hauteur.

- Inclinaison -5 / +20 degrés
- Pivotement \pm 30 degrés
- Plage de réglage de la hauteur 68mm

INCLINAISON



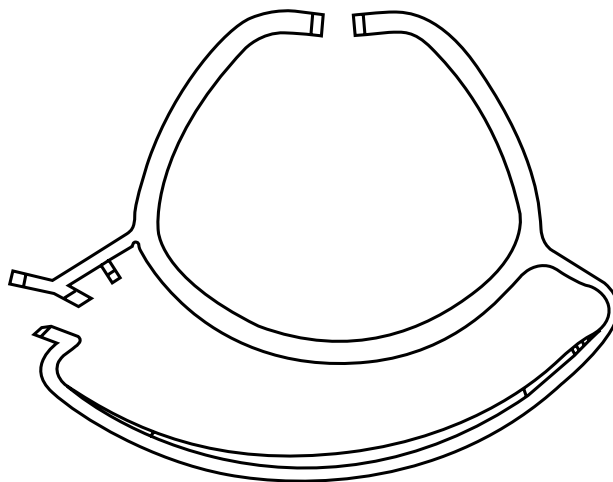
RÉGLAGE DU PIVOTEMENT ET DE LA HAUTEUR



GESTION DES CÂBLES RAPIDROUTE (POUR CM-9020002 UNIQUEMENT)



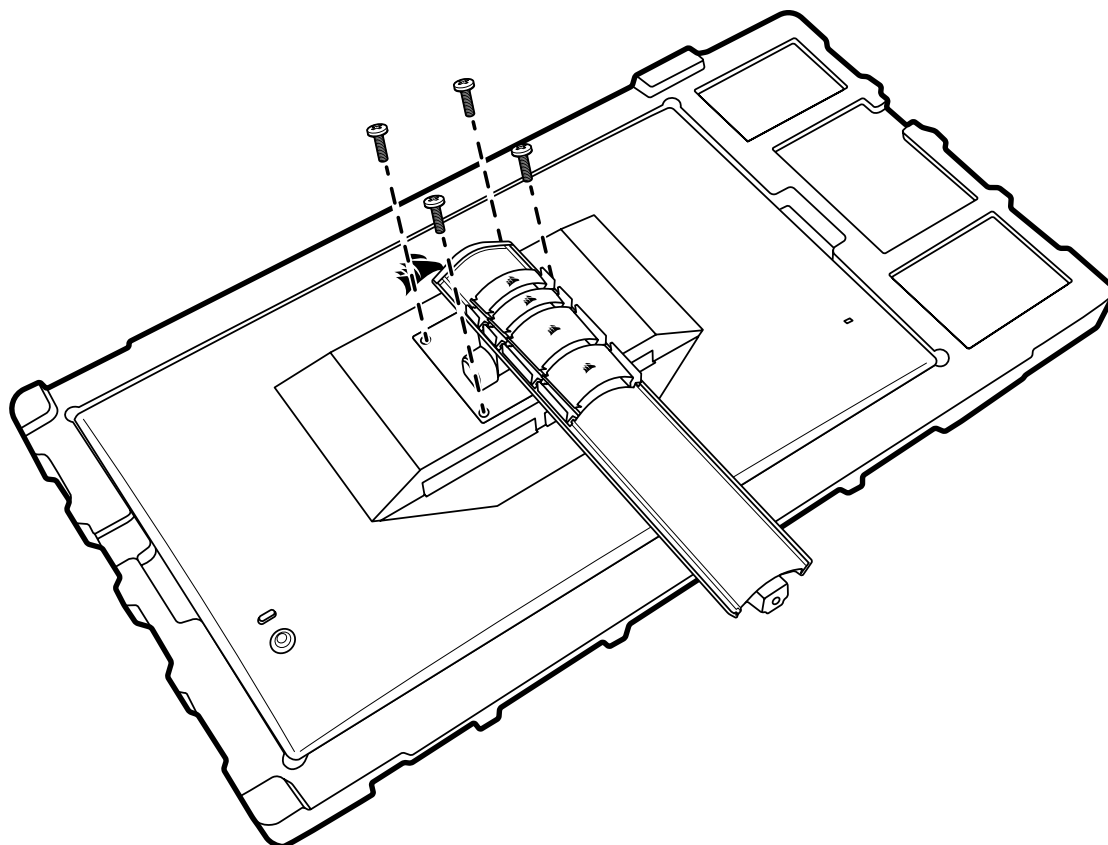
Votre écran Xeneon a une gestion des câbles RapidRoute intégrée afin de garder un bureau ordonné. Le poste d'écran comporte 2 clips serre-câbles réglables qui glissent de haut en bas pour répondre à tous vos besoins de gestion des câbles. Ouvrez chaque clip serre-câble en appuyant sur le cran à gauche et en retirant la partie extérieure du clip.



COMPATIBILITÉ DU SUPPORT MURAL

Avant d'attacher votre écran au mur à l'aide d'un support mural compatible (VESA 100mm x 100mm), vérifiez les choses suivantes:

- Vous avez retiré le pied de l'écran avec un tournevis Phillips
- Le support mural que vous avez acheté supporte le poids de l'écran

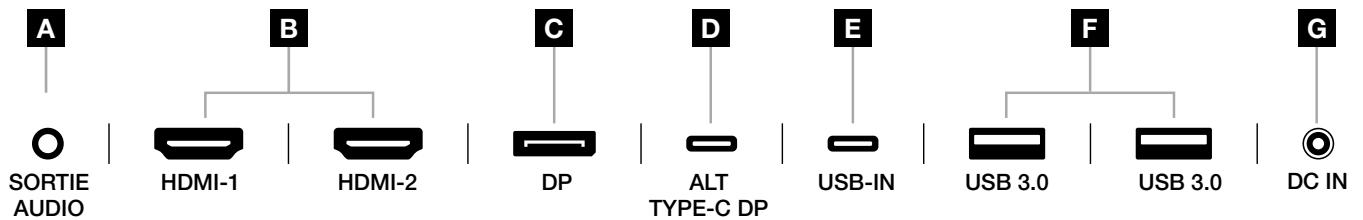


Consultez les instructions fournies avec votre support mural pour savoir comment attacher votre écran de manière correcte.

AVERTISSEMENT: Votre écran est muni de quatre trous de fixation VESA à l'arrière. Attachez fermement un support mural aux quatre trous. Si vous n'utilisez pas les quatre trous, votre écran risque de tomber et de causer des dégâts ou des blessures.

Remarque: Les vis pour support mural ne sont pas incluses. Vis: type M4, longueur de 14 à 16mm en fonction du support mural utilisé.

CONNECTIVITÉ



- A. Prise audio 3,5mm**
Sortie audio depuis les appareils HDMI, DisplayPort et USB-C Alt connectés.
- B. Ports HDMI 2.0**
Deux entrées HDMI correspondant aux entrées « HDMI-1 » et « HDMI-2 ».
- C. Port DisplayPort 1.4**
Entrée DisplayPort correspondant à l'entrée « DisplayPort ».
- D. Port USB Type-C**
Prend en charge le mode DisplayPort Alt et l'entrée USB en amont (se connecte aux ports USB 3.0).
Correspond à l'entrée « TYPE-C ». Ce port ou le port en amont doit être connecté à un port compatible USB sur votre appareil hôte pour prendre en charge la fonctionnalité CORSAIR iCUE et les ports USB 3.0 en aval.
- E. Port USB-IN**
Port d'entrée USB en amont. Ce port ou le port USB Type-C doit être connecté à un port compatible USB sur votre appareil hôte pour prendre en charge la fonctionnalité CORSAIR iCUE et les ports USB 3.0 en aval.
- F. Ports USB 3.0**
Deux ports USB Type-A 5 Gbps.
- G. DC In**
Se connecte à un adaptateur CA inclus.

FONCTIONNEMENT

CONTRÔLES

 — ALIMENTATION MARCHÉ/ARRÊT

 — **PRESSION** — Ouvrir les paramètres d'affichage

HAUT — Ouvrir le bouton de luminosité
 BAS — Ouvrir la sélection du mode image
 GAUCHE — Ouvrir le bouton de volume
 DROITE — Ouvrir la sélection de la source d'entrée



Votre moniteur est doté d'un joystick à l'arrière permettant d'ouvrir les raccourcis et de parcourir les paramètres d'affichage. Notez que bon nombre de ces paramètres peuvent également être contrôlés dans le logiciel CORSAIR iCUE si vous avez un hub USB connecté à votre ordinateur via un port USB.

Veuillez installer la dernière version d'iCUE (4.24 ou plus récente) disponible sur la page <https://www.corsair.com/us/en/icue>.

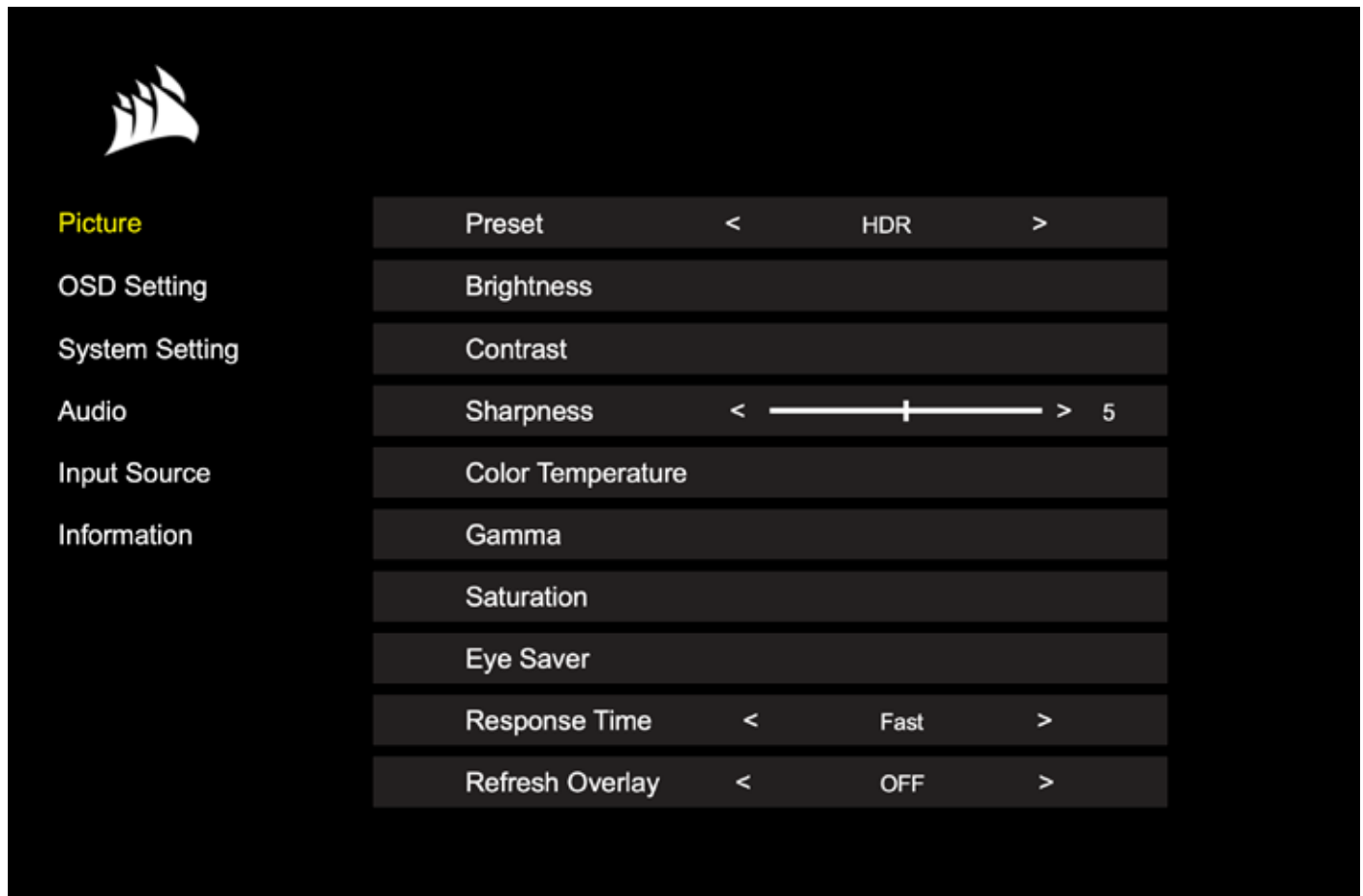
AFFICHAGE À L'ÉCRAN (OSD)

En pressant le joystick vers l'intérieur, vous pouvez accéder aux paramètres d'affichage de votre moniteur. Vous pouvez utiliser le joystick pour parcourir les paramètres et presser le joystick vers l'intérieur vous permettra de confirmer votre sélection.

FONCTIONNEMENT

OSD – PARAMÈTRES D'IMAGE

Le premier menu, nommé « Image », contient les paramètres suivants pour ajuster la qualité d'image globale.



FONCTIONNEMENT

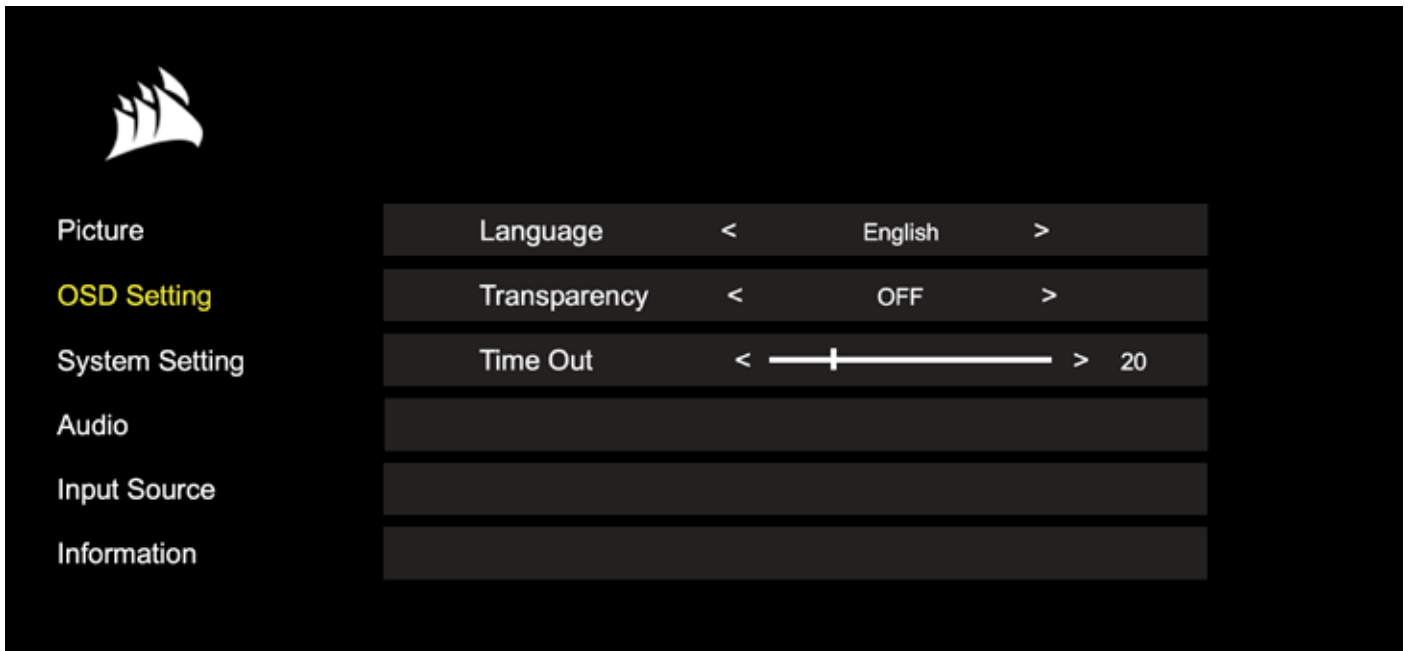
OSD – PARAMÈTRES D'IMAGE

PARAMÈTRES	OPTIONS	DESCRIPTION
Mode Image	Standard	Sélectionne un préréglage d'usine d'affichage calibré pour l'usage général et des économies d'énergie maximales
	Film	Sélectionne un préréglage d'affichage optimisé pour regarder des films
	Texte	Sélectionne un préréglage d'affichage optimisé pour lire du texte
	sRGB	Sélectionne un préréglage d'usine d'affichage calibré pour l'espace colorimétrique sRGB
	Créatif	Sélectionne un préréglage d'usine d'affichage calibré pour les tâches de création de contenu
	Jeu	Sélectionne un préréglage d'affichage optimisé pour jouer à des jeux aux mouvements rapides
	DCI-P3	Sélectionne un préréglage d'affichage optimisé pour les contenus HDR dans l'espace chromatique DCI-P3
	AdobeRGB	Sélectionne un préréglage d'affichage optimisé pour les contenus HDR dans l'espace chromatique AdobeRGB
	HDR	Passe en HDR quand le mode HDR est sélectionné dans votre système d'exploitation
Luminosité	0-100	Ajuste l'intensité du rétroéclairage de l'écran
Contraste	0-100	Ajuste le contraste de l'écran
Netteté	0-10	Ajuste le filtre de netteté de l'écran, augmentant ainsi les détails
Température chromatique	Froide	Définit la température chromatique de l'écran sur 9300 K
	Normale	Définit la température chromatique de l'écran sur 6500 K
	Chaude	Définit la température chromatique de l'écran sur 5000 K
	Personnalisée	Vous permet de définir manuellement la température chromatique de l'écran avec les boutons contrôlant les niveaux de rouge, bleu et vert
Gamma	2.0, 2.2, 2.4	Ajuste la relation entre la couleur et la luminosité ; valeur par défaut: 2.2
Saturation	0-10	Ajuste l'intensité des couleurs de l'écran
Eye Saver	MARCHE ou ARRÊT	Réduit les émissions de lumière bleue de l'écran
Temps de réponse	Normal, rapide, plus rapide, le plus rapide, OD dynamique	Vous permet d'augmenter la vitesse de transition entre les couleurs des pixels, ce qui peut réduire le floutage des objets se déplaçant rapidement
Superposition rafr.	MARCHE ou ARRÊT	Affiche un élément en superposition dans le coin supérieur droit qui indique le taux de rafraîchissement actuel du moniteur, ce qui est utile pour surveiller le nombre d'images par seconde quand la synchronisation adaptative est activée
MPRT	MARCHE ou ARRÊT	Active le paramètre « Temps de réponse image mobile », ce qui peut réduire le floutage des objets se déplaçant
Local Dimming	MARCHE ou ARRÊT	Pour désactiver des portions spécifiques du rétroéclairage afin d'obtenir un noir plus profond et un meilleur rapport de contraste
Mire	Arrêt, point, croix, angle	Activer la fonction Mire

FONCTIONNEMENT

OSD – PARAMÈTRE OSD

Le deuxième menu, nommé « Paramètre OSD », contient les paramètres suivants pour ajuster l’affichage à l’écran.

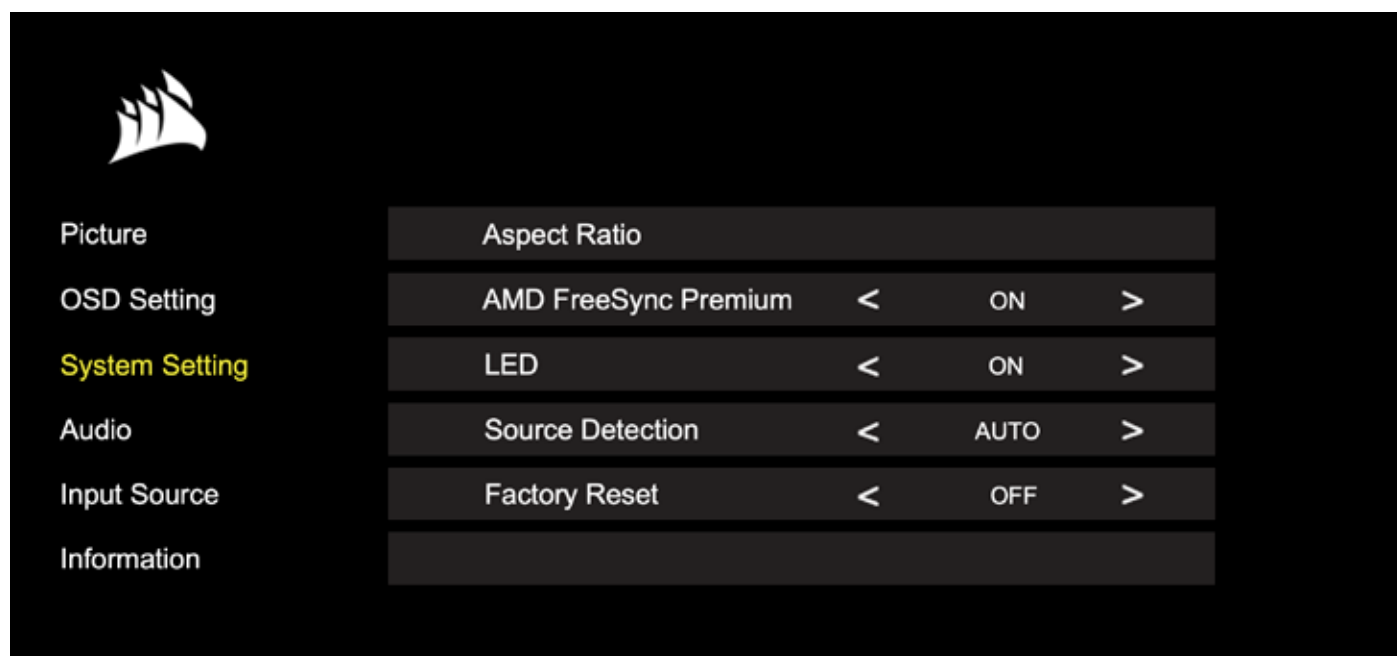


PARAMÈTRE	OPTIONS	DESCRIPTION
Langue	English Français Deutsch Italiano Español Português Русский 繁體中文 日本語 한국어	Sélectionne la langue de l’OSD
Transparence	MARCHE ou ARRÊT	Définit l’affichage de l’OSD sur transparent ou opaque
Expiration	10-60	Définit le temps (en secondes) que reste l’OSD avant de disparaître

FONCTIONNEMENT

OSD – PARAMÈTRE SYSTÈME

Le troisième menu, nommé « Paramètre système », contient les paramètres suivants pour ajuster les paramètres internes de l'écran.



FONCTIONNEMENT

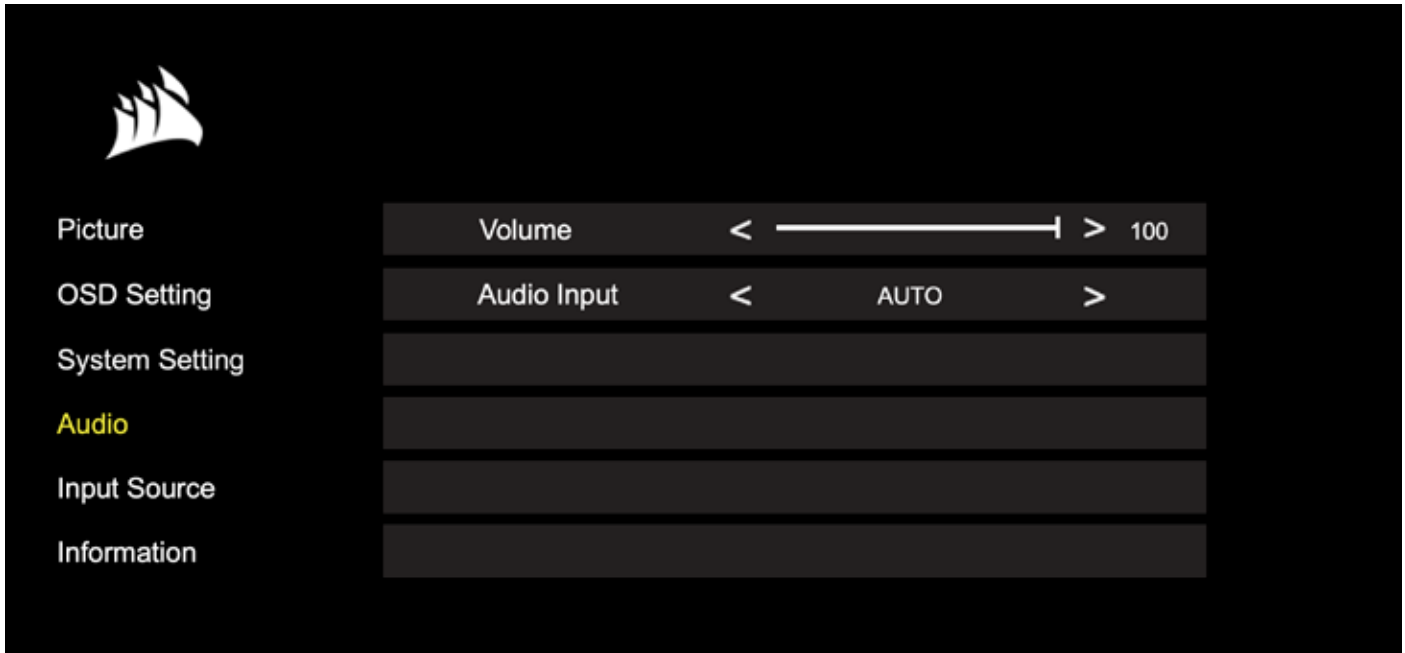
OSD – PARAMÈTRE SYSTÈME

PARAMÈTRE	OPTIONS	DESCRIPTION
Rapport d'aspect	Auto, 4:3, 16:9	Sélectionne le rapport d'aspect de l'écran. Le mode « Auto » essaiera de faire correspondre le rapport d'aspect au signal vidéo entrant. Indisponible quand la synchronisation adaptative est activée
AMD FreeSync Premium	MARCHE ou ARRÊT	<p>Active ou désactive la fonctionnalité de synchronisation adaptative lors d'une connexion à une carte graphique compatible. Sélectionnez ON pour activer la synchronisation adaptative pour AMD FreeSync via HDMI</p> <p>La compatibilité NVIDIA G-Sync est disponible lors d'une connexion par câble DP ou mode Alt USB Type-C à une carte graphique compatible. Pour la fonctionnalité NVIDIA G-Sync:</p> <ul style="list-style-type: none"> • Installez/ouvrez le panneau de configuration NVIDIA • Sélectionnez « Configuration de G-Sync » • Cochez la case « Activer la compatibilité G-Sync » • Sélectionnez l'écran 32QHD240/RDD0020 • Cochez la case « Activer les paramètres du modèle d'écran sélectionné » <p>Un redémarrage du système peut être nécessaire pour accéder aux paramètres de NVIDIA</p>
LED	MARCHE ou ARRÊT	Sélectionne le témoin d'alimentation LED sur MARCHE ou ARRÊT
Détection de la source	AUTO ou MANUEL	Détermine si l'écran passe automatiquement à une entrée différente s'il détecte un signal ou si vous devrez passer manuellement d'une entrée à l'autre
Mode Alt USB-C (présent uniquement quand l'écran est connecté par le port vidéo USB-C)	4 voies 2 voies	<p>Change le nombre de voies USB à utiliser sur le port USB-C pour la vidéo</p> <ul style="list-style-type: none"> • Le mode à 4 voies permet d'avoir jusqu'à 2560x1440@240Hz résolution d'affichage, mais réduit la vitesse des ports USB Type-A à celle de ports USB 2.0 • Le mode à 2 voies permet d'avoir jusqu'à 2560x1440@120Hz, mais active la vitesse USB 3.0 pour les ports USB Type-A
Réinitialisation des paramètres par défaut	MARCHE ou ARRÊT	Réinitialise tous les paramètres du moniteur aux réglages d'usine

FONCTIONNEMENT

OSD – AUDIO

Le quatrième menu, nommé « Audio », vous permet de contrôler l'audio de l'écran.



PARAMÈTRE	OPTIONS	DESCRIPTION
Volume	0-100	Ajuste le volume de la sortie audio depuis la prise casque
Entrée audio	Auto, HDMI-1, HDMI-2, DisplayPort, USB Type-C	Sélectionne l'entrée depuis laquelle l'écran fait passer l'audio vers la prise casque. Le mode « Auto » utilisera l'entrée actuelle

FONCTIONNEMENT

OSD – SÉLECTION DE L'ENTRÉE

Le cinquième menu, nommé « Sélection de l'entrée », vous permet de passer de l'une à l'autre des entrées de l'écran.

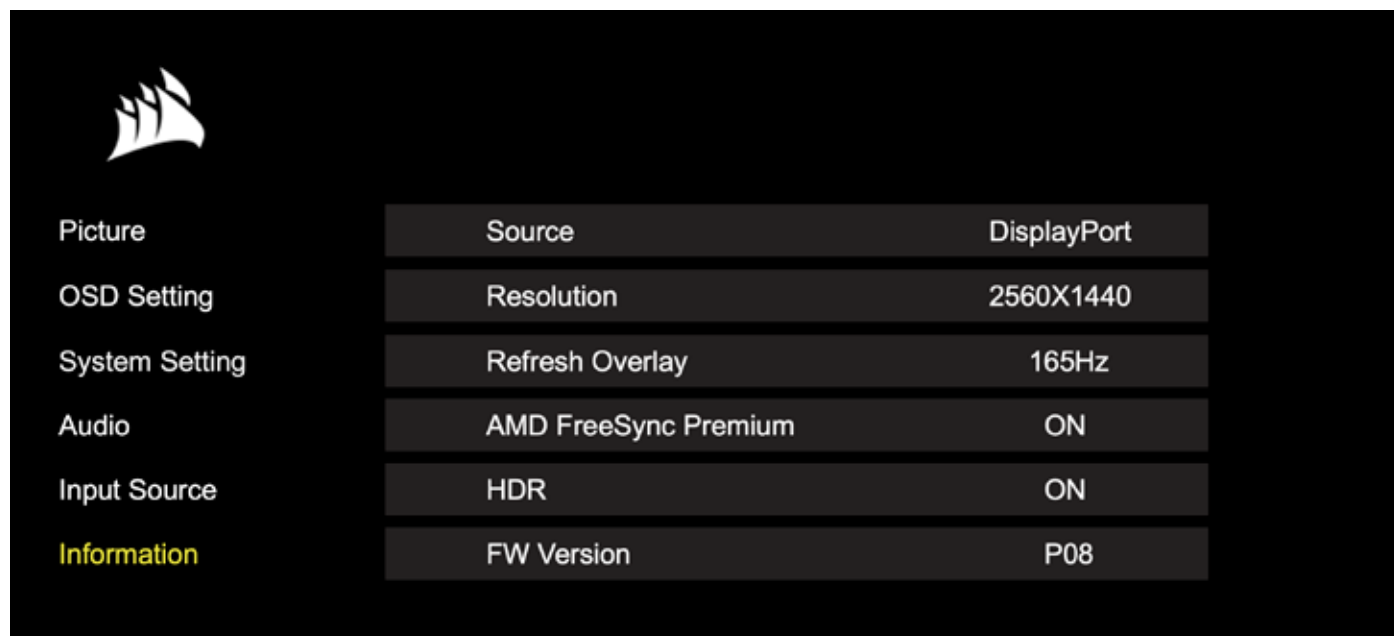


PARAMÈTRE	DESCRIPTION
HDMI-1	Passe à l'appareil connecté au port HDMI-1
HDMI-2	Passe à l'appareil connecté au port HDMI-2
DisplayPort	Passe à l'appareil connecté au port DisplayPort « DP »
TYPE-C	Passe à l'appareil connecté au port TYPE-C

FONCTIONNEMENT

OSD – INFORMATIONS

Indique l'état actuel des paramètres des fonctions clés.



Picture	Source	DisplayPort
OSD Setting	Resolution	2560X1440
System Setting	Refresh Overlay	165Hz
Audio	AMD FreeSync Premium	ON
Input Source	HDR	ON
Information	FW Version	P08

PARAMÈTRE	DESCRIPTION
Source	Affichage de la source d'entrée actuelle
Résolution	Affichage de la résolution d'affichage actuelle
Superposition rafr.	Affichage du taux de rafraîchissement actuel
AMD FreeSync Premium	Statut AMD FreeSync Premium
HDR	Statut HDR
Version du micrologiciel	Affichage la version actuelle du micrologiciel

FONCTIONNEMENT

FAQ SUR L'ÉCRAN GAMING CORSAIR XENEON 32QHD240

QUESTION	RÉPONSE																						
Témoin d'alimentation LED éteint	Appuyez sur le bouton d'alimentation à l'arrière de l'écran pour vérifier qu'il est bien sur MARCHE.																						
	Vérifiez si le câble d'alimentation est bien branché à l'écran et à l'adaptateur d'alimentation.																						
	Vérifiez si l'option de témoin d'alimentation LED dans le menu des paramètres système OSD est bien activée.																						
Aucune image à l'écran	Vérifiez si votre écran est allumé.																						
	Vérifiez si le câble vidéo est correctement branché à l'écran ainsi qu'au dispositif source.																						
	Vérifiez la qualité du câble vidéo et assurez-vous que ce dernier n'est pas endommagé. Veuillez éviter d'utiliser des câbles et extensions vidéo de basse qualité.																						
	Vérifiez quelle est la source vidéo actuellement activée sur votre écran (si la fonction Source Auto est désactivée dans OSD).																						
	Branchez un autre dispositif source pour tester l'entrée vidéo de l'écran.																						
	Branchez le dispositif source à un autre écran pour tester l'entrée vidéo.																						
	Veuillez éviter de déconnecter l'écran quand le système est en marche. Veuillez à connecter l'écran au dispositif source avant d'allumer ce dernier.																						
Image trop claire/foncée	Réglez les paramètres de luminosité/gamma/contraste via OSD.																						
	Réinitialisez l'écran aux réglages d'usine.																						
Signal vidéo non pris en charge	Vérifiez les paramètres de sortie vidéo du dispositif source. Les résolutions d'entrée prises en charge par l'écran gaming CORSAIR XENEON 32QHD240 sont les suivantes:																						
	<table border="1"> <thead> <tr> <th>RÉSOLUTION</th> <th>TAUX DE RAFFRAÎCHISSEMENT</th> </tr> </thead> <tbody> <tr> <td>640x480</td> <td>60, 67, 72, 75Hz</td> </tr> <tr> <td>800x600</td> <td>56, 60, 72, 75Hz</td> </tr> <tr> <td>1024x768</td> <td>60, 70, 75Hz</td> </tr> <tr> <td>1280x1024</td> <td>60, 75Hz</td> </tr> <tr> <td>1440x900</td> <td>60Hz</td> </tr> <tr> <td>1680x1050</td> <td>60Hz</td> </tr> <tr> <td rowspan="2">1920x1080</td> <td>60Hz</td> </tr> <tr> <td>144, 165Hz (DP, Type-C)</td> </tr> <tr> <td rowspan="2">2560x1440</td> <td>60, 120, 144Hz</td> </tr> <tr> <td>165, 180, 240Hz (DP, Type-C)</td> </tr> <tr> <td>3840x2160</td> <td>30, 60Hz (pour une prise en charge réduite de la console)</td> </tr> </tbody> </table>	RÉSOLUTION	TAUX DE RAFFRAÎCHISSEMENT	640x480	60, 67, 72, 75Hz	800x600	56, 60, 72, 75Hz	1024x768	60, 70, 75Hz	1280x1024	60, 75Hz	1440x900	60Hz	1680x1050	60Hz	1920x1080	60Hz	144, 165Hz (DP, Type-C)	2560x1440	60, 120, 144Hz	165, 180, 240Hz (DP, Type-C)	3840x2160	30, 60Hz (pour une prise en charge réduite de la console)
	RÉSOLUTION	TAUX DE RAFFRAÎCHISSEMENT																					
	640x480	60, 67, 72, 75Hz																					
	800x600	56, 60, 72, 75Hz																					
	1024x768	60, 70, 75Hz																					
	1280x1024	60, 75Hz																					
	1440x900	60Hz																					
	1680x1050	60Hz																					
	1920x1080	60Hz																					
		144, 165Hz (DP, Type-C)																					
2560x1440	60, 120, 144Hz																						
	165, 180, 240Hz (DP, Type-C)																						
3840x2160	30, 60Hz (pour une prise en charge réduite de la console)																						

FONCTIONNEMENT

FAQ SUR L'ÉCRAN CORSAIR XENEON 32QHD240

QUESTION	RÉPONSE
Le CORSAIR XENEON CORSAIR XENEON 32QHD240 prend-il en charge le support vidéo par USB-C?	Oui, le CORSAIR XENEON 32QHD240 prend en charge le DisplayPort par USB-C grâce à l'entrée dédiée ALT TYPE-C DP. Utilisez le câble Type-C de 1,5 m inclus ou un câble USB Type-C de qualité et compatible USB 3.2 Gen 2 pour obtenir des résultats optimaux.
Je ne peux pas utiliser les dispositifs connectés aux ports USB-A de mon écran lorsque ce dernier est connecté avec un seul câble USB-C à un dispositif prenant en charge le mode Alt USB-C	Le mode Alt USB-C fonctionne par défaut en mode « 4 voies », ce qui permet d'obtenir une pleine résolution DisplayPort par USB-C. Ce mode désactive cependant l'utilisation des ports USB Type-A. Pour réactiver les ports USB Type-A lorsque l'écran est connecté uniquement par l'entrée ALT TYPE-C DP, basculez en mode « 2 voies ». Cela restreindra la résolution vidéo prise en charge, mais permettra de réactiver les ports USB Type-A pour les périphériques connectés aux ports Type-A de l'écran. Une autre solution est de connecter le dispositif source au port USB en aval ainsi qu'au port ALT TYPE-C DP pour avoir la pleine résolution vidéo et la fonctionnalité des ports USB. Veillez à utiliser un câble USB Type-C de qualité et compatible USB 3.2 Gen 2 pour obtenir des résultats optimaux.
L'image est étirée/écrasée	Vérifiez le paramètre « Rapport d'aspect » sous « Paramètres système ». Par défaut, il est configuré sur « Auto ». Toutefois, dans certains cas, vous aurez peut-être à configurer manuellement le rapport d'aspect (par exemple lors de certaines combinaisons d'adaptateurs avec des consoles de jeu rétro).
L'image a des problèmes de couleurs	Vérifiez la qualité du câble vidéo et assurez-vous que ce dernier n'est pas endommagé. Veuillez éviter d'utiliser des câbles et extensions vidéo de basse qualité.
	Réinitialisez l'écran aux réglages d'usine.
	Régalez les paramètres d'image via OSD.
L'image présente des défauts	Vérifiez la qualité du câble vidéo et assurez-vous que ce dernier n'est pas endommagé.
	Vérifiez votre dispositif source. Une carte graphique ou une console de jeu défectueuse peut nécessiter de contacter le service d'assistance du fabricant.
Il y a un pixel mort à l'écran	CORSAIR fournit une politique de « zéro pixels mort » pour ses écrans. Si vous trouvez 1 pixel lumineux ou plus, ou 6 pixels foncés ou plus, l'écran sera échangé pendant toute la garantie de 3 ans.
Quels sont les types de support VESA compatibles?	Le CORSAIR XENEON 32QHD240 prend en charge un support standard de 100mm x 100mm et l'écran doit être retiré de son pied. Utilisez les vis de montage fournies avec votre support VESA.

FONCTIONNEMENT

FAQ SUR L'ÉCRAN GAMING CORSAIR XENEON 32QHD240

QUESTION	RÉPONSE
Puis-je monter une webcam pour un appareil DSLR/sans miroir?	Le CORSAIR XENEON 32QHD240 prend en charge les webcams standard placées au sommet de l'écran.
Mon écran CORSAIR XENEON n'est pas détecté par CORSAIR iCUE	Vérifiez que la dernière version de CORSAIR iCUE est installée sur votre PC. Le CORSAIR XENEON 32QHD240 est pris en charge par iCUE version 4.24 ou ultérieure.
	Assurez-vous que le câble connecté au port USB-C en amont de l'écran et au port USB 3.0 de votre PC est correctement branché. Évitez de connecter l'écran par le biais d'un hub ou d'une extension USB, si possible. Nous recommandons fortement l'utilisation du câble USB-C fourni avec l'écran CORSAIR XENEON pour des résultats optimaux.
Quelles sont les options de taux de rafraîchissement adaptatif disponibles pour le CORSAIR XENEON?	Le CORSAIR XENEON 32QHD240 est certifié AMD FreeSync Premium et est également compatible avec NVIDIA G-SYNC.
La fonctionnalité AMD FreeSync / G-SYNC n'est pas activée	Vérifiez que la fonctionnalité AMD FreeSync est activée via OSD.
	Vérifiez les paramètres de votre carte graphique et assurez-vous que la fonctionnalité AMD FreeSync / NVIDIA G-SYNC est bien activée. AMD FreeSync fonctionne sur tous les ports vidéo de l'écran. La compatibilité NVIDIA G-Sync n'est possible que sur les ports DP ou mode Alt USB Type-C DP.
Je n'obtiens pas de taux de rafraîchissement à 240Hz	Vérifiez les paramètres de votre carte graphique/affichage système et assurez-vous que le taux de rafraîchissement 240Hz est bien activé. Consultez le tableau des modes d'affichage pris en charge dans l'Annexe pour voir les options disponibles.
	Vérifiez la qualité du câble vidéo et assurez-vous que ce dernier n'est pas endommagé. Veuillez éviter d'utiliser des câbles et extensions vidéo de basse qualité.

ANNEXE

CARACTÉRISTIQUES TECHNIQUES

Nom du produit	XENEON 32QHD240
N° de référence	Avec pied CM-9020002-XX Sans pied CM-9020004-XX
Périphérique	RDD0020
ID Hub USB	CORSAIR USB 3.0 Hub
Taille du panneau	32" en diagonale
Surface d'affichage	Sans éblouissement
Pixels par pouce	91.8
Rapport d'aspect	16:9
Résolution native	2560 x 1440 @ 240Hz
Temps de réponse (MPRT)	1ms
Temps de réponse (GtG)	5ms
Couleurs d'affichage	Couleurs 16.7M (RGB 8 bits)
Technologie du panneau	IPS avec technologie Quantum Dot
Sans lumière vacillante	Oui
Angles de vue	178° (H) / 178° (V)
Luminosité maximale	400 nits (SDR) / 600 nits (HDR)
Rapport de contraste statique	1000:1
Certification HDR	VESA DisplayHDR 600
Gamme chromatique (CIE 1976)	98% (DCI-P3), 100% (AdobeRGB), 100% (sRGB)
Taux de rafraîchissement variable	Certifié AMD FreeSync Premium, compatible NVIDIA G-Sync
Entrée HDMI	2x HDMI 2.0
Entrée DisplayPort	1x DisplayPort 1.4
Entrée USB-C	1x DisplayPort 1.4 (mode Alt USB-C), alimentation 15 W, connexion USB de 5 Gbps en amont
Entrée USB-C en amont	1x USB-C 5 Gbps
Sortie USB-A	2x USB Type-A 5 Gbps (5 V/0,9 A *2)
Audio 3,5mm	Oui, passthrough via l'entrée vidéo

ANNEXE

CARACTÉRISTIQUES TECHNIQUES

Consommation d'énergie (marche)	40W
Consommation d'énergie (veille)	<0.5W
Consommation d'énergie (arrêt)	<0.3W
Compatibilité VESA	100mm x 100mm
Dimensions	732mm x 553mm x 270mm (W x H x D)
Poids	8.4kg
Inclinaison du pied	-5° / +20°
Pivotement du pied	-30° / +30°
Plage de réglage de la hauteur du pied	68mm
Adaptateur CA	150W
	Remarque: votre périphérique utilise l'alimentation suivante: Asian Power Devices Inc. / DA-150E19

MODES D'AFFICHAGE PRIS EN CHARGE

RÉSOLUTION		TAUX DE RAFFRAÎCHISSEMENT	HDMI	DP/TYPE-C
640x480	VGA	60Hz	V	V
		67Hz	V	V
		72Hz	V	V
		75Hz	V	V
800x600	SVGA	56Hz	V	V
		60Hz	V	V
		72Hz	V	V
		75Hz	V	V
1024x768	XGA	60Hz	V	V
		70Hz	V	V
		75Hz	V	V

ANNEXE

MODES D'AFFICHAGE PRIS EN CHARGE

RÉSOLUTION		TAUX DE RAFFRAÎCHISSEMENT	HDMI	DP/TYPE-C
1280x1024	SXGA	60Hz	V	V
		75Hz	V	V
1440x900	WXGA+	60Hz	V	V
1680x1050	WSXGA+	60Hz	V	V
1920x1080	FHD	60Hz	V	V
		144Hz		V
		165Hz		V
2560x1440	QHD	60Hz	V	V
		120Hz	V	V
		144Hz	V	V
		165Hz		V
		180Hz		V
		240Hz		V
480P	60Hz	V	V	
576P	50Hz	V	V	
720P	50Hz	V	V	
	60Hz	V	V	
	120Hz	V	V	
1080P	60Hz	V	V	
	120Hz	V	V	
2160P	30Hz	V	V	
	60Hz	V	V	

DIVULGATION JURIDIQUE HDMI

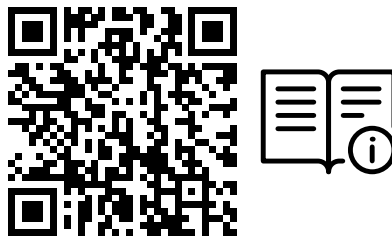


HDMI

Les termes HDMI, HDMI High-Definition Multimedia Interface, l'habillage commercial HDMI et les logos HDMI sont des marques commerciales ou des marques déposées de HDMI Licensing Administrator, Inc.

INHALTSVERZEICHNIS

VORSICHTSMASSNAHMEN	2
LIEFERUMFANG	3
MONTAGE	4
KIPP-, SCHWENK- UND HÖHENEINSTELLMÖGLICHKEITEN	5
KABELFÜHRUNG, KAMERAHALTERUNG (OPTIONAL) UND ANDERE BEFESTIGUNGSOPTIONEN	6
ANSCHLÜSSE	8
BETRIEB	9
BEDIENELEMENTE	9
BILDSCHIRMANZEIGE (OSD)	9
OSD – BILDEINSTELLUNGEN	10
OSD – OSD-EINSTELLUNG	12
OSD – SYSTEMEINSTELLUNG	13
OSD – AUDIO	15
OSD – EINGANGSAUSWAHL	16
OSD – INFORMATION	17
HÄUFIG GESTELLTE FRAGEN / PROBLEMBEHEBUNG	18
ANHANG	21
TECHNISCHE DATEN	21
UNTERSTÜTZTE DISPLAY-MODI	22
HDMI-IMPRESSUM	24



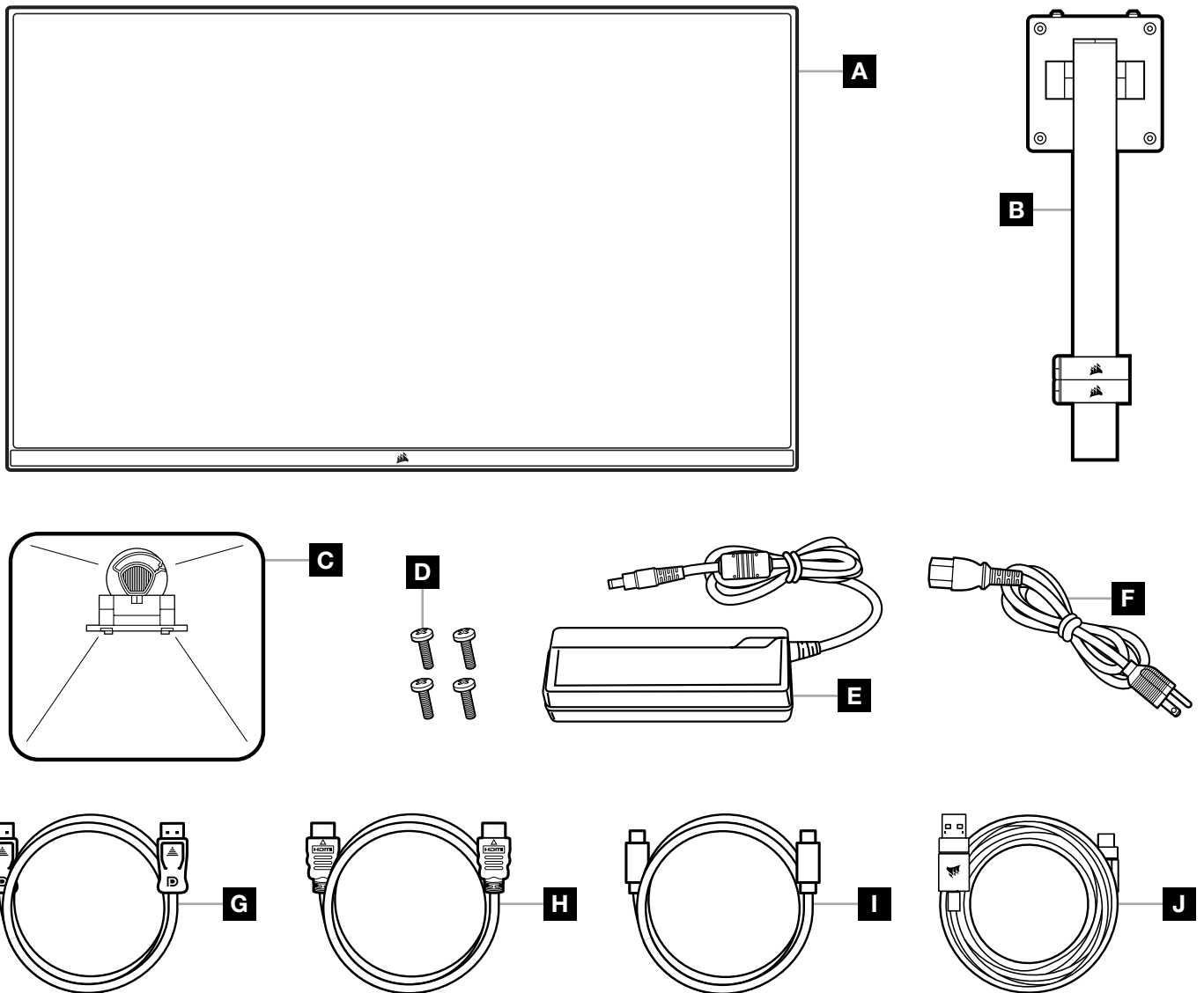
Scannen Sie den QR-Code für die Schnellstartanleitung und Einrichtungsvideos

Produkt-Setup, Benutzerinformationen und Garantie/Dead-Pixel-Richtlinien finden Sie unter <https://qsg.corsair.com/xeneon-monitors>

VORSICHTSMASSNAHMEN

- Verwenden Sie den Monitor nur mit mitgeliefertem oder vom Hersteller empfohlenem Zubehör.
- Bewahren Sie den Kunststoffverpackungsbeutel für das Produkt an einem für Kinder unzugänglichen Ort auf.
- Bevor Sie den Monitor an das Stromnetz anschließen, überprüfen Sie, ob die Betriebsspannung des Netzkabels mit der Spezifikation in dem Land, in dem Sie sich aufhalten, kompatibel ist.
- Der Netzkabelstecker muss an eine ordnungsgemäß verkabelte und geerdete Steckdose angeschlossen werden.
- Berühren Sie den Netzstecker nicht mit nassen Händen. Andernfalls besteht die Gefahr von Stromschlägen.
- Platzieren Sie den Monitor auf einer stabilen Oberfläche an einem gut belüfteten Ort.
- Platzieren Sie den Monitor nicht in der Nähe von Wärmequellen wie elektrischen Heizkörpern oder in direktem Sonnenlicht.
- Die Bohrungen oder Öffnungen am Monitor dienen der Belüftung. Bedecken oder blockieren Sie die Belüftungsöffnungen nicht mit Gegenständen.
- Verwenden Sie den Monitor nicht in der Nähe von Wasser, Getränken oder anderen Flüssigkeiten. Andernfalls besteht die Gefahr von Stromschlägen oder Beschädigung des Monitors.
- Bevor Sie den Monitor reinigen, unterbrechen Sie die Stromversorgung.
- Da die Oberfläche des Bildschirms leicht zerkratzen kann, vermeiden Sie den Kontakt der Oberfläche mit harten oder spitzen Gegenständen. Nutzen Sie statt eines Papiertaschentuchs ein weiches fusselfreies Tuch zum Abwischen des Bildschirms. Falls erforderlich, können Sie das Gerät mit einem Glasreiniger säubern. Sprühen Sie das Reinigungsmittel jedoch nie direkt auf den Bildschirm.
- Ziehen Sie den Stecker des Netzkabels aus der Steckdose, wenn das Gerät längere Zeit nicht verwendet wird.
- Versuchen Sie nicht, den Monitor selbst auseinanderzubauen oder zu reparieren.

XENEON 32QHD240 DISPLAY, INHALT



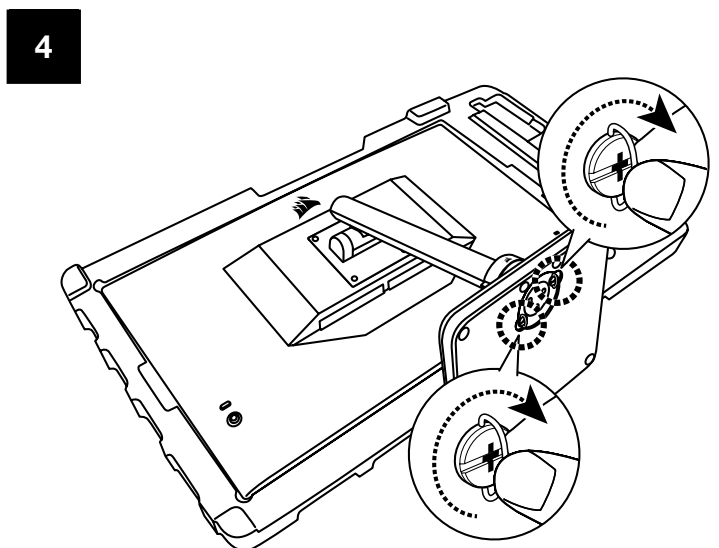
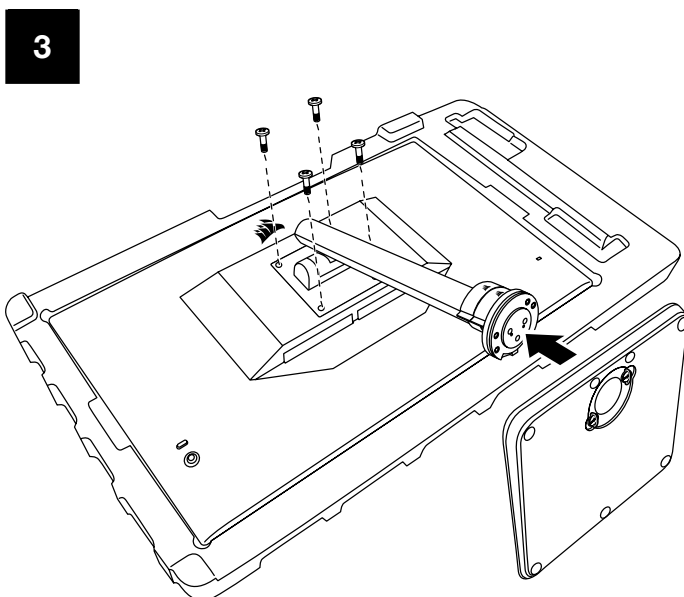
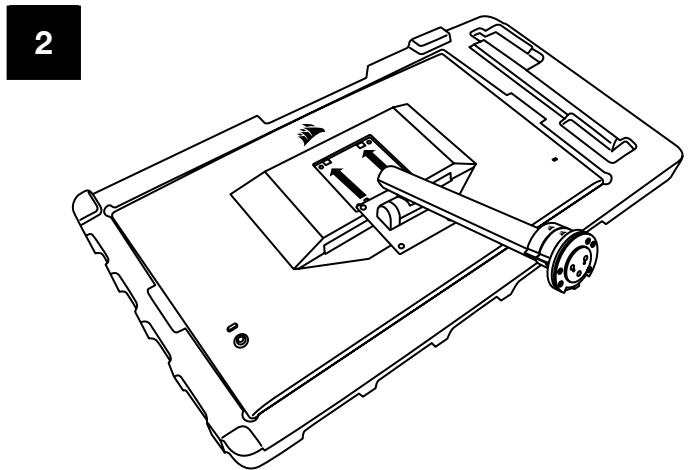
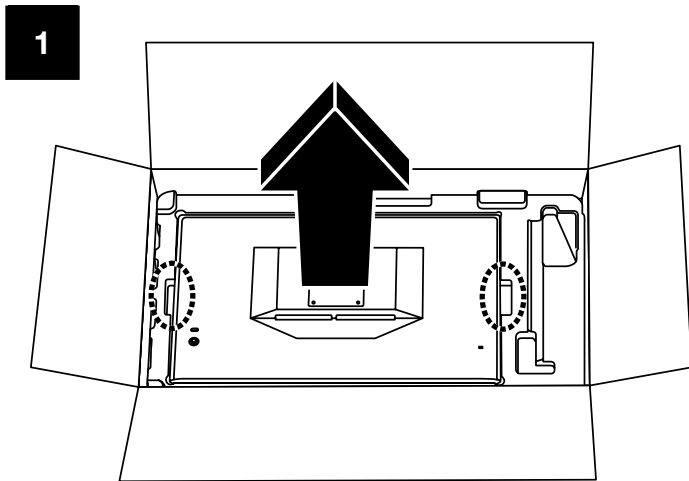
- A** XENEON 32QHD240 DISPLAY, PANEL
- B** MONTAGEPFOSTEN (NUR FÜR CM-9020002)
- C** STÄNDER (NUR FÜR CM-9020002)
- D** MONTAGESCHRAUBEN (4X)
- E** AC-ADAPTER

- F** AC-STROMKABEL
- G** DISPLAYPORT-KABEL (1,5M)
- H** HDMI-KABEL (1,5M)
- I** USB-C-KABEL (1,5M)
- J** USB-A-AUF-USB-C-KABEL (1,8M)

MONTAGE (NUR FÜR CM-9020002)

Bevor Sie beginnen, benötigen Sie einen Kreuzschlitzschraubenzieher.

1. Entfernen Sie die obere Lage Schaumstoff, die das Zubehör und den Standfuß enthält, um die Rückseite des Panels freizulegen.
2. Öffnen Sie vorsichtig den Schaumstoffbeutel, der das Panel bedeckt (siehe Abbildung 1), um den Befestigungsbereich freizulegen. Entnehmen Sie das Panel nicht aus dem Beutel.
3. Richten Sie die Monitorsäule an den Montageschlitzen auf der Rückseite des Panels aus (siehe Abbildung 2). Führen Sie die oberen Haken in die Montageschlitze auf der Rückseite des Panels ein. Befestigen Sie die Monitorsäule mit den vier Schrauben am Panel. Verwenden Sie dazu einen Kreuzschlitzschraubenzieher (siehe Abbildung 3).
4. Befestigen Sie den Standfuß an der Monitorsäule (siehe Abbildung 3), und ziehen Sie die unverlierbare Rändelschraube im Boden der Säule fest (siehe Abbildung 4).
5. Entnehmen Sie den Monitor langsam aus der Verpackung, und platzieren Sie ihn aufrecht auf Ihrem Schreibtisch. Heben Sie den Monitor nicht an der Vorderseite des Panels an.



KIPP-, SCHWENK- UND HÖHENEINSTELLMÖGLICHKEITEN (NUR FÜR CM-9020002)

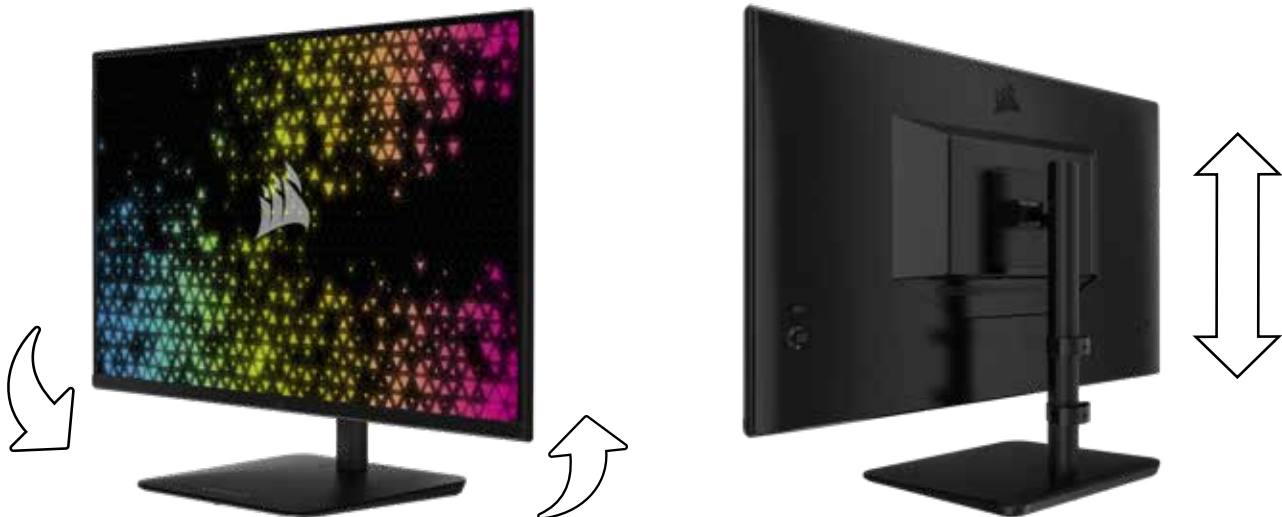
Ihr Xeneon-Monitor verfügt über einen robusten und eleganten Standfuß mit Kipp-, Schwenk- und Höheneinstellmöglichkeiten.

- Neigung um -5 / +20 Grad
- Schwenken um ± 30 Grad
- Höheneinstellbereich 68mm

NEIGUNG



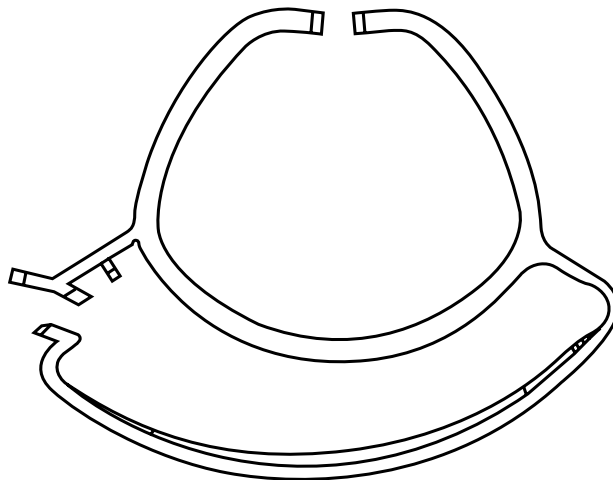
SCHWENK- UND HÖHENEINSTELLMÖGLICHKEITEN



RAPIDROUTE-KABELFÜHRUNG (NUR FÜR CM-9020002)



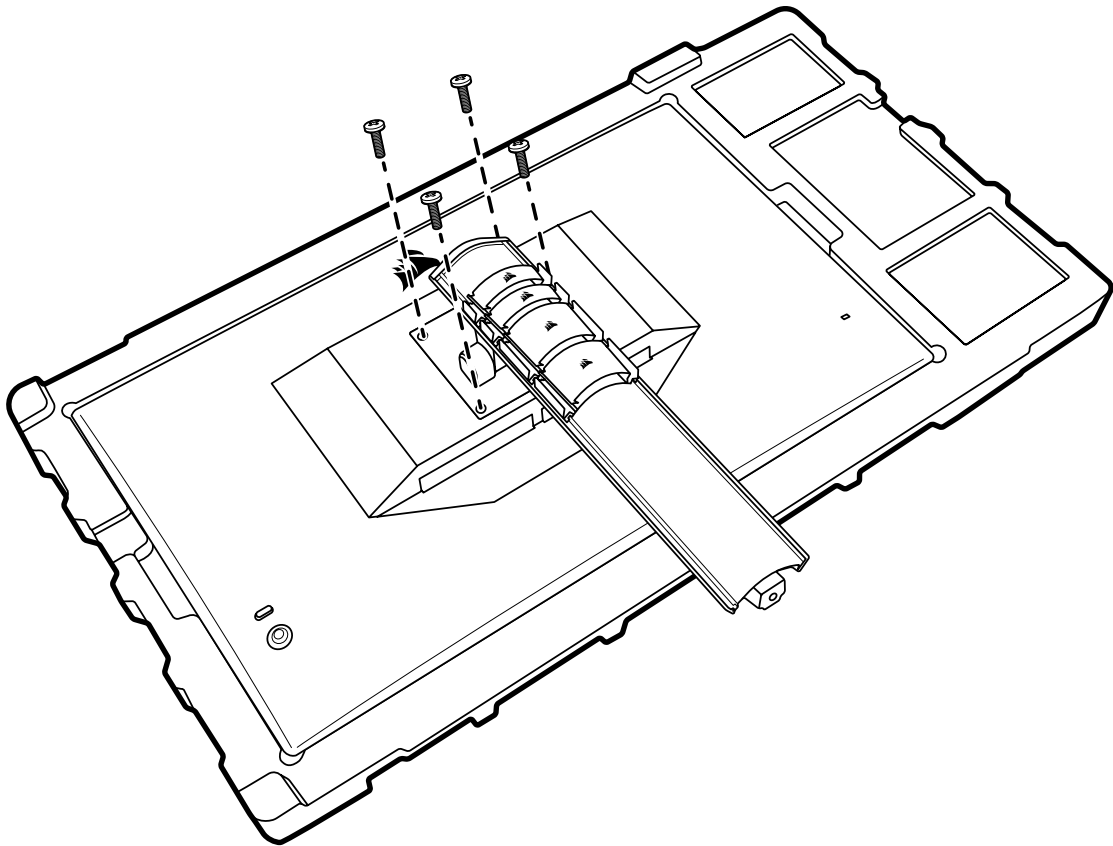
Ihr Xeneon-Display besitzt eine integrierte RapidRoute-Kabelführung, um Ihren Schreibtisch übersichtlich zu halten. Um die Kabelführung an Ihre Bedürfnisse anzupassen, können Sie den Monitor mithilfe der zwei anpassbaren Kabelclips an der Säule nach oben und unten schieben. Öffnen Sie die Kabelclips, indem Sie den Verschluss nach links drücken und am Kabelclip ziehen.



KOMPATIBILITÄT MIT WANDHALTERUNG

Bevor Sie Ihren Bildschirm mit einer kompatiblen Wandhalterung (VESA 100mm × 100mm) befestigen, beachten Sie Folgendes:

- Entfernen Sie den Standfuß mit einem Kreuzschlitzschraubenzieher vom Bildschirm
- Die von Ihnen erworbene Befestigung für die Wandhalterung muss das Gewicht des Bildschirms tragen können

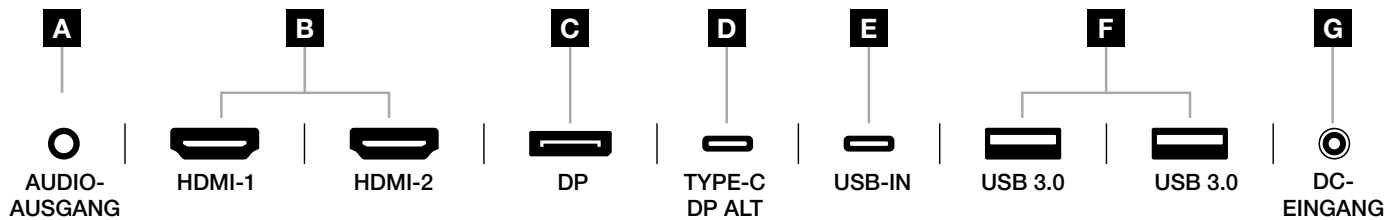


Lesen Sie die Anleitung zu Ihrer Wandhalterung, um sich über die korrekte Befestigung Ihres Bildschirms zu informieren.

WARNUNG: Ihr Bildschirm verfügt über vier Bohrungen auf der Rückseite zur Befestigung einer VESA-Wandhalterung. Die Wandhalterung muss an allen vier Bohrungen befestigt werden. Wenn Sie nicht alle vier Bohrungen verwenden, kann Ihr Bildschirm herunterfallen und Sach- oder Personenschäden verursachen.

Hinweis: Schrauben zur Befestigung an der Wand sind nicht inbegriffen. Schrauben: Typ M4, 14mm bis 16mm Länge, je nach Wandhalterung.

ANSCHLÜSSE



A. 3,5-mm-Audioanschluss

Audioausgang von angeschlossenen HDMI-, DisplayPort- und USB-C-Alt-Modus-Geräten.

B. HDMI 2.0-Anschlüsse

Die beiden HDMI-Eingänge sind als „HDMI-1“ und „HDMI-2“ gekennzeichnet.

C. DisplayPort 1.4-Anschluss

Der DisplayPort-Eingang ist als „DisplayPort“-Eingang gekennzeichnet.

D. USB-TYP C-Anschluss

Unterstützt DisplayPort Alt Mode und Upstream-USB-Eingang (Anschluss an USB-3.0-Anschlüssen).

Ist als „TYPE-C“-Eingang gekennzeichnet. Dieser Anschluss oder der USB-Upstream-Anschluss muss mit einem USB-fähigen Anschluss an Ihrem Host-Gerät verbunden sein, um die Funktionen von CORSAIR iCUE und die nachfolgenden USB-3.0-Anschlüsse nutzen zu können.

E. USB-IN-Anschluss

Upstream-USB-Eingang. Dieser Anschluss oder der USB-Typ C-Anschluss muss mit einem USB-fähigen Anschluss an Ihrem Host-Gerät verbunden sein, um die Funktionen von CORSAIR iCUE und die nachfolgenden USB-3.0-Anschlüsse nutzen zu können.

F. USB-3.0-Anschlüsse

Zwei USB-Typ A-Anschlüsse mit 5 Gbit/s.

G. DC-Eingang

Anschluss für den mitgelieferten AC-Adapter.

BETRIEB

BEDIENELEMENTE

○  — EIN-/AUSSCHALTEN

 — DRÜCKEN – Anzeigeeinstellungen aufrufen

NACH OBEN – Schieberegler für Helligkeitsanpassung aufrufen
 NACH UNTEN – Auswahl des Bildmodus aufrufen
 LINKS – Schieberegler für Lautstärkeanpassung aufrufen
 RECHTS – Auswahl für die Eingangsquelle aufrufen



Ihr Monitor verfügt über einen Joystick auf der hinteren, rechten Seite zum Aktivieren von Kurzbefehlen und zur Navigation in den Anzeigeeinstellungen. Beachten Sie, dass viele dieser Einstellungen auch in der Software CORSAIR iCUE gesteuert werden können, wenn der USB-Hub an den USB-Eingang Ihres Computers angeschlossen ist.

Installieren Sie die neueste Version von iCUE (4.24 oder höher). Diese können Sie unter <https://www.corsair.com/us/en/icue> herunterladen.

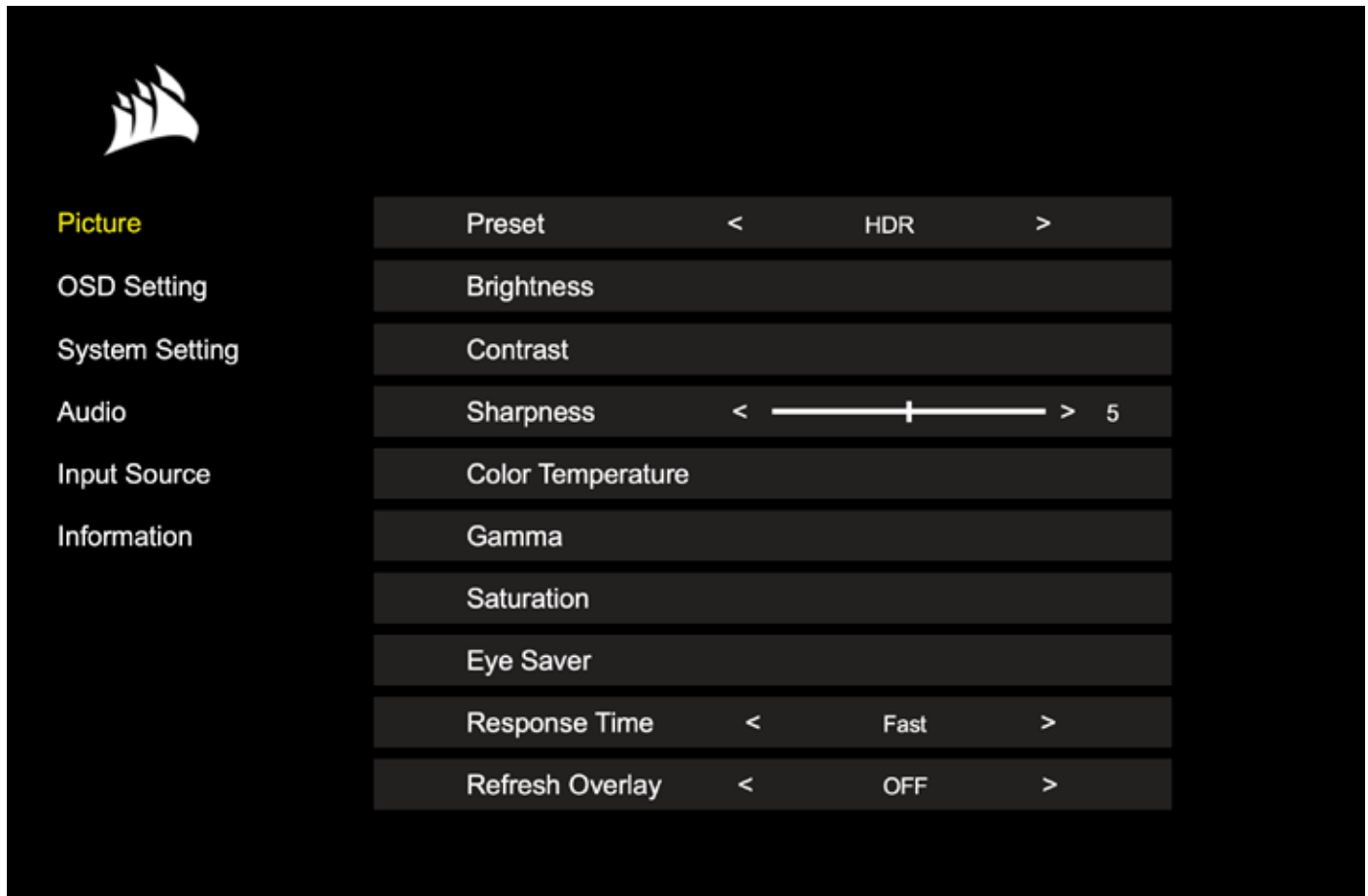
BILDSCHIRMANZEIGE (OSD)

Wenn Sie den Joystick nach innen drücken, rufen Sie die Anzeigeeinstellungen Ihres Monitors auf. Sie können mit dem Joystick durch die Einstellungen navigieren. Wenn Sie den Joystick nach innen drücken, bestätigen Sie Ihre Auswahl.

BETRIEB

OSD – BILDEINSTELLUNGEN

Das erste Menü mit der Bezeichnung „Bild“ enthält die folgenden Einstellungen zur Anpassung der allgemeinen Bildqualität.



BETRIEB

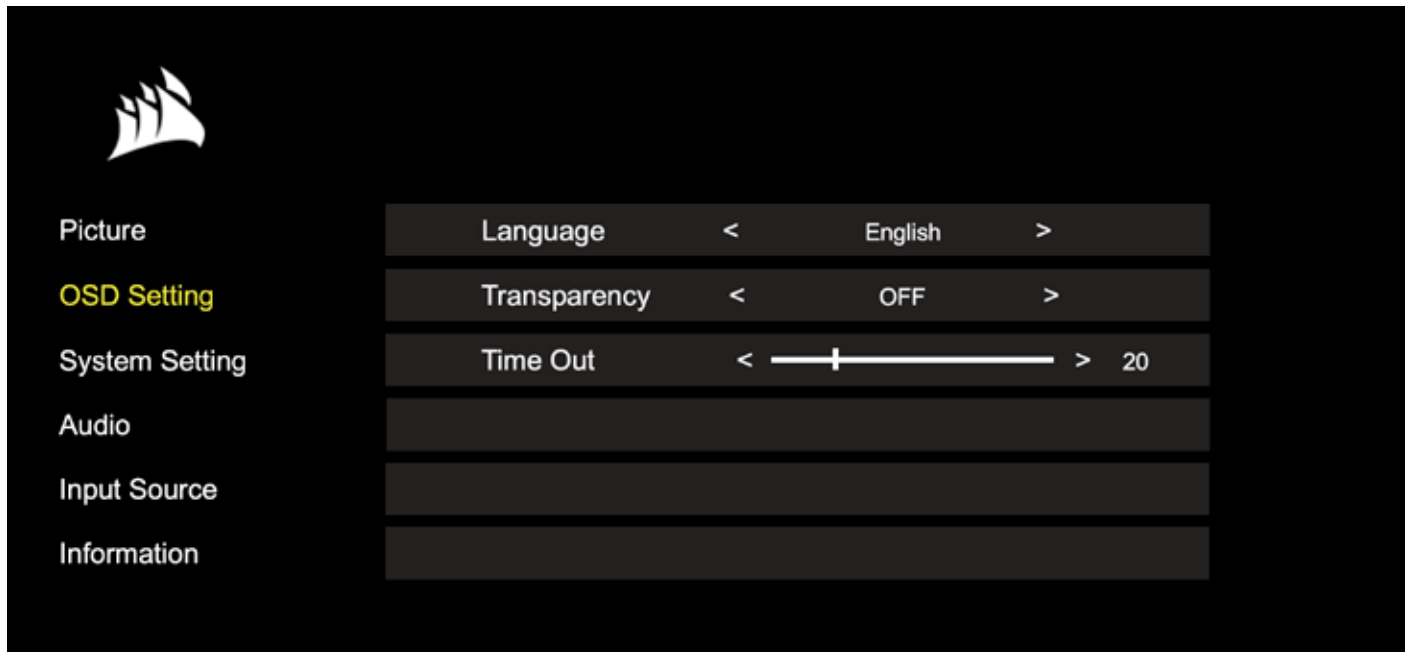
OSD – BILDEINSTELLUNGEN

EINSTELLUNG	OPTIONEN	BESCHREIBUNG
Bildmodus	Standard	Legt eine werkseitig kalibrierte Anzeigevoreinstellung für die allgemeine Verwendung und höchste Energieersparnis fest
	Film	Legt eine für die Wiedergabe von Filmen optimierte Anzeigevoreinstellung fest
	Text	Legt eine für das Lesen von Text optimierte Anzeigevoreinstellung fest
	sRGB	Legt eine werkseitig kalibrierte Anzeigevoreinstellung für den sRGB-Farbraum fest
	Kreativ	Legt eine werkseitig kalibrierte Anzeigevoreinstellung für Content-Creation-Aufgaben fest
	Spiel	Legt eine für die Wiedergabe von Filmen optimierte Anzeigevoreinstellung fest
	DCI-P3	Legt eine für HDR-Inhalte im DCI-P3-Farbraum optimierte Anzeigevoreinstellung fest
	AdobeRGB	Legt eine für HDR-Inhalte im AdobeRGB-Farbraum optimierte Anzeigevoreinstellung fest
	HDR	Zeigt HDR, wenn der HDR-Modus im Betriebssystem Ihres Systems ausgewählt ist
Helligkeit	0-100	Passt die Stärke der Hintergrundbeleuchtung des Displays an
Kontrast	0-100	Passt den Kontrast des Displays an
Schärfe	0-10	Passt den Schärfefilter des Displays an und erhöht die Kantenschärfe
Farbtemperatur	Kühl	Stellt die Farbtemperatur des Displays auf 9300K ein
	Normal	Stellt die Farbtemperatur des Displays auf den Standardwert 6500K ein
	Warm	Stellt die Farbtemperatur des Displays auf 5000K ein
	Benutzerdefiniert	Ermöglicht die manuelle Einstellung der Farbtemperatur des Displays mit Schiebereglern zur Anpassung der Rot-, Blau- und Grünwerte
Gamma	2.0, 2.2, 2.4	Passt das Verhältnis zwischen Farbe und Helligkeit an; die Voreinstellung ist 2.2
Sättigung	0-10	Passt die Intensität der Displayfarben an
Eye Saver	EIN oder AUS	Reduziert bei Aktivierung die Emission von blauem Licht auf dem Display
Reaktionszeit	Normal, Schnell, Schneller, Am schnellsten, Dynamic OD	Ermöglicht die Erhöhung der Geschwindigkeit, mit der Pixel zwischen Farben umschalten können, was zu einer Verringerung der Unschärfe bei sich schnell bewegenden Objekten führen kann
Aktual.-Overlay	EIN oder AUS	Schaltet ein Overlay in der oberen rechten Ecke ein und aus, das die aktuelle Bildwiederholffrequenz des Monitors anzeigt, was für die Überwachung der Bilder pro Sekunde nützlich ist, wenn Adaptive Sync aktiviert ist
MPRT	EIN oder AUS	Schaltet die Einstellung „Reaktionszeit von bewegten Bildern“ ein und aus, die bei Aktivierung die Unschärfe von bewegten Objekten reduzieren kann
Lokale Abblendung	EIN oder AUS	Zum Abschalten bestimmter Teile der Hintergrundbeleuchtung für tieferes Schwarz und ein besseres Kontrastverhältnis
Fadenkreuz	AUS, Punkt, Kreuz, Winkel	Aktivieren der Fadenkreuzfunktion

BETRIEB

OSD – OSD-EINSTELLUNG

Das zweite Menü mit der Bezeichnung „OSD-Einstellung“ enthält die folgenden Einstellungen zur Anpassung der Bildschirmanzeige (OSD).

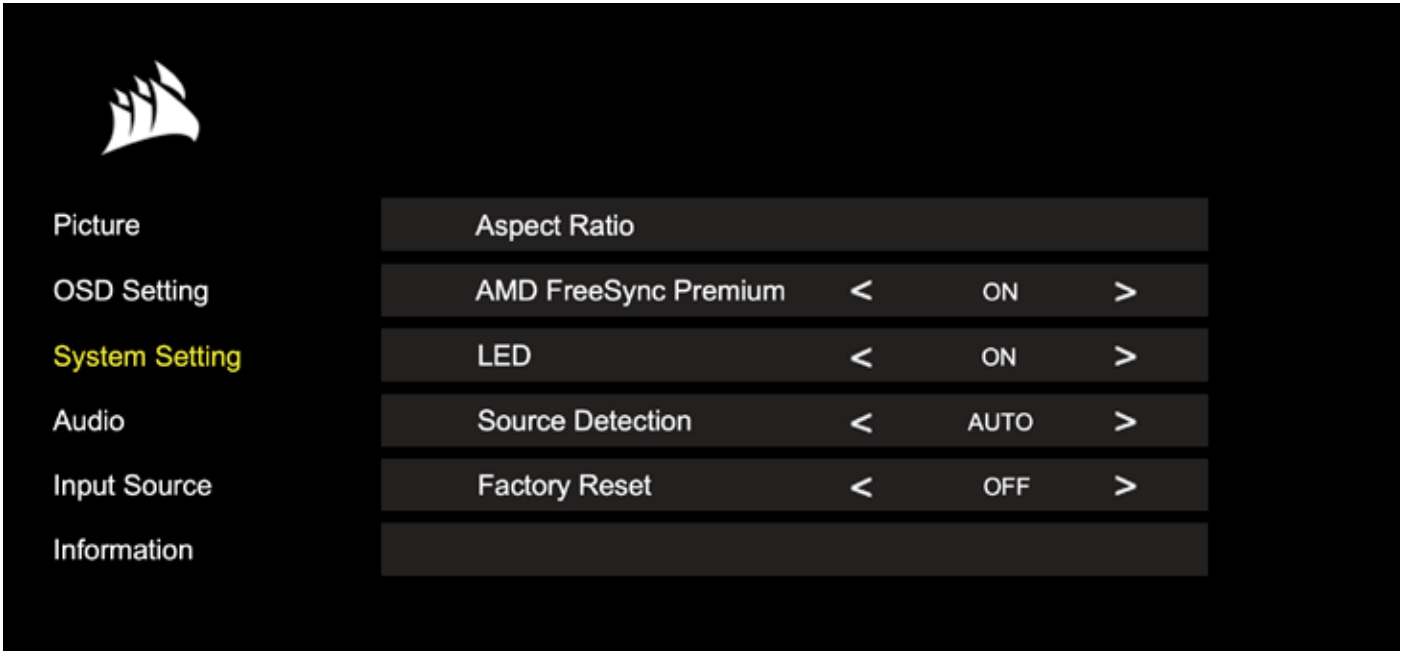


EINSTELLUNG	OPTIONEN	BESCHREIBUNG
Sprache	English Français Deutsch Italiano Español Português Русский 繁體中文 日本語 한국어	Legt die Sprache des OSD fest
Transparenz	EIN oder AUS	Legt fest, ob das OSD transparent oder undurchsichtig sein soll
Timeout	10-60	Legt die Zeit (in Sekunden) fest, die das OSD auf dem Bildschirm angezeigt wird, bevor es ausgeblendet wird

BETRIEB

OSD – SYSTEMEINSTELLUNG

Das dritte Menü mit der Bezeichnung „Systemeinstellung“ enthält die folgenden Einstellungen zur Anpassung der internen Display-Einstellungen.



BETRIEB

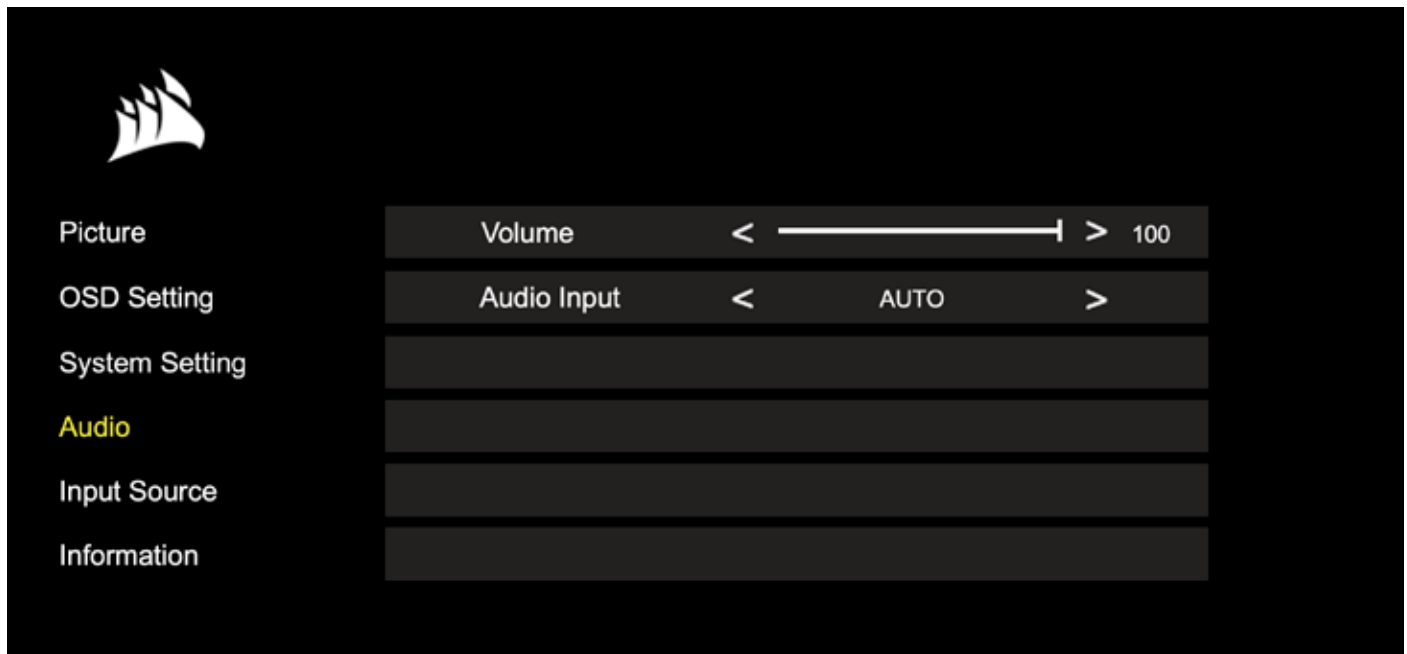
OSD – SYSTEMEINSTELLUNG

EINSTELLUNG	OPTIONEN	BESCHREIBUNG
Seitenverhältnis	Auto, 4:3, 16:9	Legt das Seitenverhältnis des Displays fest. Bei der Einstellung „Auto“ wird versucht, das Seitenverhältnis des Displays an das eingehende Videosignal anzupassen. Nicht verfügbar, wenn Adaptive Sync aktiviert ist
AMD FreeSync Premium	EIN oder AUS	<p>Aktiviert oder deaktiviert die adaptive Synchronisierungsfunktion bei Verbindung mit einer kompatiblen GPU. Wählen Sie EIN, um Adaptive Sync für AMD FreeSync via HDMI zu aktivieren</p> <p>Kompatibilität mit NVIDIA G-Sync ist bei Verbindung über ein DP-Kabel oder USB Type-C-Alt-Modus-Kabel mit einer kompatiblen GPU verfügbar. Für NVIDIA G-Sync-Funktionalität:</p> <ul style="list-style-type: none"> • Installieren/Öffnen Sie die NVIDIA-Steuerung • Wählen Sie die Option „G-Sync einrichten“ aus • Markieren Sie das Kontrollkästchen „G-Sync-kompatibel aktivieren“ • Wählen Sie den 32QHD240/RDD0020 aus • Markieren Sie das Kontrollkästchen „Einstellungen für das ausgewählte Displaymodell aktivieren“ <p>Für den Zugriff auf die NVIDIA-Einstellungen ist gegebenenfalls ein Neustart erforderlich</p>
LED	EIN oder AUS	Schaltet die LED-Stromanzeige auf der Vorderseite EIN oder AUS
Erkennung der Quelle	AUTO oder MANUELL	Legt fest, ob das Display automatisch auf einen anderen Eingang umschaltet, wenn es ein Signal erkennt, oder ob manuell zwischen den Eingängen umgeschaltet werden muss
USB-C-Alt-Modus (nur verfügbar, wenn das Display über den USB-C-Anschluss für Videosignale verbunden ist)	4-Lane 2-Lane	<p>Schaltet die Anzahl der zu verwendenden USB-Lanes am USB-C-Anschluss für Videosignale um</p> <ul style="list-style-type: none"> • 4-Lane-Modus ermöglicht eine Auflösung von bis zu 2560x1440@240Hz, reduziert jedoch die Geschwindigkeit der USB-Typ A-Anschlüsse auf 2.0 • 2-Lane-Modus ermöglicht bis zu 2560x1440@120Hz sowie eine 3.0-Geschwindigkeit der USB-Typ A-Anschlüsse
Werkseinstellung	EIN oder AUS	Setzt alle Monitoreinstellungen auf die Werkseinstellungen zurück

BETRIEB

OSD – AUDIO

Im vierten Menü mit der Bezeichnung „Audio“ können Toneinstellungen für das Display vorgenommen werden.



EINSTELLUNG	OPTIONEN	BESCHREIBUNG
Lautstärke	0–100	Stellt die Lautstärke der Audioausgabe über die Kopfhörerbuchse ein
Audio-Eingang	Auto, HDMI-1, HDMI-2, DisplayPort, USB Type-C	Legt fest, von welchem Eingang das Display den Ton an die Kopfhörerbuchse weiterleitet. Bei der Einstellung „Auto“ wird der aktuelle Eingang verwendet

BETRIEB

OSD – EINGANGSAUSWAHL

Im fünften Menü mit der Bezeichnung „Eingangsauswahl“ kann zwischen den verschiedenen Display-Eingängen umgeschaltet werden.

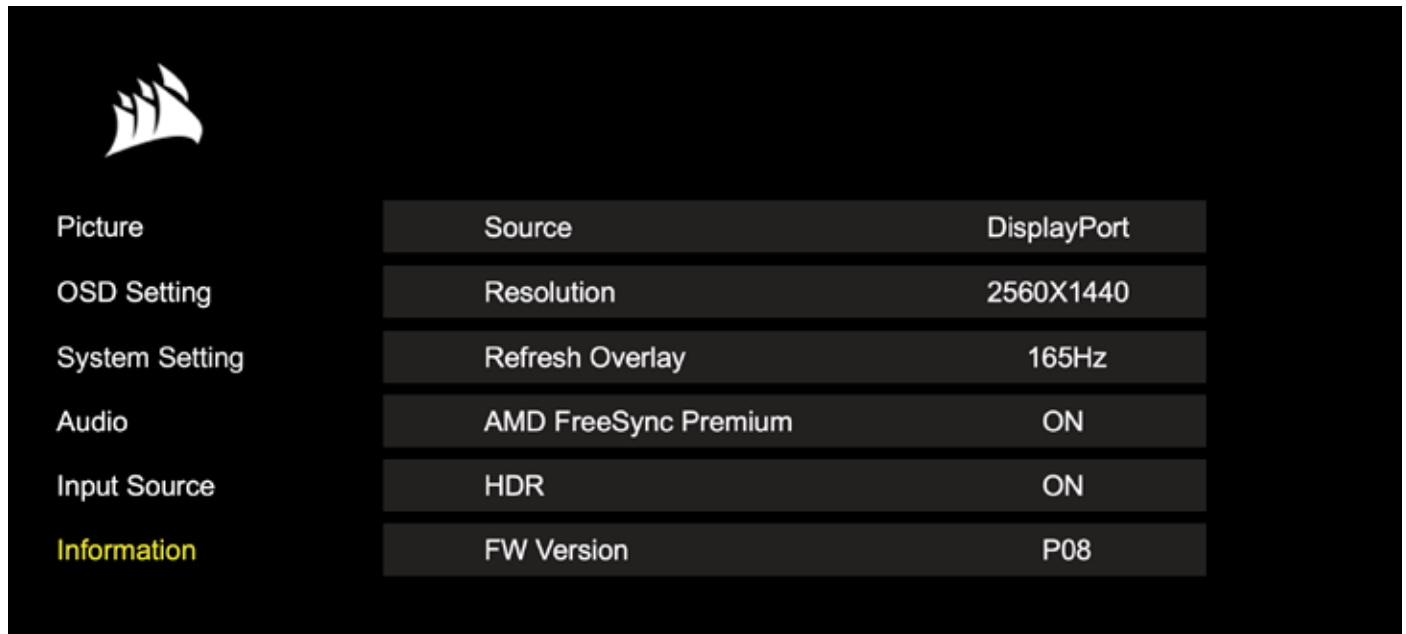


EINSTELLUNG	BESCHREIBUNG
HDMI-1	Schaltet auf das Gerät um, das an den Anschluss HDMI 1 angeschlossen ist
HDMI-2	Schaltet auf das Gerät um, das an den Anschluss HDMI 2 angeschlossen ist
DisplayPort	Schaltet auf das Gerät um, das an den DisplayPort „DP“ angeschlossen ist
TYPE-C	Schaltet auf das Gerät um, das an den Anschluss TYPE-C angeschlossen ist

BETRIEB

OSD – INFORMATION

Stellt den aktuellen Einstellungsstatus für die wichtigsten Funktionsmerkmale bereit.



Picture	Source	DisplayPort
OSD Setting	Resolution	2560X1440
System Setting	Refresh Overlay	165Hz
Audio	AMD FreeSync Premium	ON
Input Source	HDR	ON
Information	FW Version	P08

EINSTELLUNG	BESCHREIBUNG
Quelle	Anzeige der aktuellen Eingangsquelle
Auflösung	Anzeige der aktuellen Display-Auflösung
Aktual.-Overlay	Anzeige der aktuellen Bildwiederholrate
AMD FreeSync Premium	AMD FreeSync Premium-Status
HDR	HDR-Status
FW-Version	Zeigt die aktuelle FW-Version an

BETRIEB

CORSAIR XENEON 32QHD240 GAMING-MONITOR FAQ

FRAGE	ANTWORT																						
LED-Stromanzeige nicht an	Drücken Sie auf die Einschalttaste auf der Rückseite Ihres Monitors, um zu überprüfen, ob er eingeschaltet ist.																						
	Prüfen Sie, ob das Stromkabel sowohl in den Monitor als auch in das Netzteil eingesteckt ist.																						
	Prüfen Sie, ob die LED-Stromanzeige im Systemeinstellungsmenü des OSD eingeschaltet ist.																						
Keine Anzeige auf dem Bildschirm	Prüfen Sie, ob Ihr Monitor eingeschaltet ist.																						
	Prüfen Sie, ob das Videokabel ordnungsgemäß an den Monitor sowie an das Quellgerät angeschlossen ist.																						
	Überprüfen Sie das Videokabel auf Beschädigungen. Vermeiden Sie es, Videokabel und Verlängerungskabel von geringer Qualität zu verwenden.																						
	Überprüfen Sie, welcher Videoquelleingang für Ihren Monitor eingestellt ist (wenn die Funktion zur automatischen Quellenwahl im OSD deaktiviert ist).																						
	Schließen Sie ein anderes Quellgerät an, um den Videoeingang des Monitors zu testen.																						
	Schließen Sie das Quellgerät an einen anderen verfügbaren Monitor an, um den Videoausgang zu testen.																						
	Vermeiden Sie es, Geräte im laufenden Betrieb an den Monitor anzuschließen. Verbinden Sie den Monitor mit der Quelle, bevor Sie das Quellgerät einschalten.																						
Bild zu hell/dunkel	Passen Sie Helligkeit/Gamma/Kontrasteinstellungen über das OSD an.																						
	Setzen Sie den Monitor auf die Werkseinstellungen zurück.																						
Videosignal wird nicht unterstützt	Überprüfen Sie die Videoausgangseinstellungen des Quellgeräts. Der CORSAIR XENEON 32QHD240 Gaming-Monitor unterstützt folgende Eingangsauflösungen:																						
	<table border="1"> <thead> <tr> <th>AUFLÖSUNG</th> <th>BILDWIEDERHOLRATE</th> </tr> </thead> <tbody> <tr> <td>640x480</td> <td>60, 67, 72, 75Hz</td> </tr> <tr> <td>800x600</td> <td>56, 60, 72, 75Hz</td> </tr> <tr> <td>1024x768</td> <td>60, 70, 75Hz</td> </tr> <tr> <td>1280x1024</td> <td>60, 75Hz</td> </tr> <tr> <td>1440x900</td> <td>60Hz</td> </tr> <tr> <td>1680x1050</td> <td>60Hz</td> </tr> <tr> <td rowspan="2">1920x1080</td> <td>60Hz</td> </tr> <tr> <td>144, 165Hz (DP, Type-C)</td> </tr> <tr> <td rowspan="2">2560x1440</td> <td>60, 120, 144Hz</td> </tr> <tr> <td>165, 180, 240Hz (DP, Type-C)</td> </tr> <tr> <td>3840x2160</td> <td>30, 60Hz (für die Unterstützung herunterskalierter Konsolen)</td> </tr> </tbody> </table>	AUFLÖSUNG	BILDWIEDERHOLRATE	640x480	60, 67, 72, 75Hz	800x600	56, 60, 72, 75Hz	1024x768	60, 70, 75Hz	1280x1024	60, 75Hz	1440x900	60Hz	1680x1050	60Hz	1920x1080	60Hz	144, 165Hz (DP, Type-C)	2560x1440	60, 120, 144Hz	165, 180, 240Hz (DP, Type-C)	3840x2160	30, 60Hz (für die Unterstützung herunterskalierter Konsolen)
	AUFLÖSUNG	BILDWIEDERHOLRATE																					
	640x480	60, 67, 72, 75Hz																					
	800x600	56, 60, 72, 75Hz																					
	1024x768	60, 70, 75Hz																					
	1280x1024	60, 75Hz																					
	1440x900	60Hz																					
	1680x1050	60Hz																					
	1920x1080	60Hz																					
144, 165Hz (DP, Type-C)																							
2560x1440	60, 120, 144Hz																						
	165, 180, 240Hz (DP, Type-C)																						
3840x2160	30, 60Hz (für die Unterstützung herunterskalierter Konsolen)																						

BETRIEB

CORSAIR XENEON 32QHD240 GAMING-MONITOR FAQ

FRAGE	ANTWORT
Unterstützt der CORSAIR XENEON 32QHD240 Video über USB-C?	Ja, der CORSAIR XENEON 32QHD240 unterstützt DisplayPort über USB-C durch den dedizierten TYPE-C DP ALT-Eingang. Für optimale Ergebnisse verwenden Sie das mitgelieferte Typ C-Kabel (1,5m) oder ein hochwertiges USB-Typ C-Kabel, das USB 3.2 Gen 2 unterstützt.
Ich kann keine Geräte verwenden, die mit den USB-A-Anschlüssen an meinem Monitor verbunden sind, wenn er mit einem einzelnen USB-C-Kabel mit meinem Gerät verbunden ist, das den USB-C-Alt-Modus unterstützt	Im USB-C-Alt-Modus wird standardmäßig der 4-Lane-Modus genutzt. Dies ermöglicht eine volle DisplayPort-Auflösung über USB-C, verhindert jedoch die Verwendung der USB-Typ A-Anschlüsse. Um die USB-Typ A-Anschlüsse bei ausschließlicher Verbindung über den TYPE-C DP ALT-Eingang zu nutzen, wechseln Sie in den 2-Lane-Modus. Dadurch wird die unterstützte Videoausgangsqualität beschränkt, um die USB-Typ A-Anschlüsse zu aktivieren, falls Peripheriegeräte an die USB-Typ A-Anschlüsse des Monitors angeschlossen werden. Alternativ können Sie das Quellgerät über den USB-Downstream-Anschluss bzw. den TYPE-C DP ALT-Anschluss verbinden. Dies ermöglicht eine volle Videoauflösung und USB-Anschluss-Funktionalität. Stellen Sie sicher, dass Sie ein hochwertiges USB-Typ C-Kabel verwenden, das USB 3.2 Gen 2 unterstützt.
Bild ist verzerrt	Überprüfen Sie die Einstellung für das Seitenverhältnis in den Systemeinstellungen. Die Standardeinstellung ist „Auto“. In bestimmten Fällen kann es jedoch erforderlich sein, ein Seitenverhältnis manuell einzustellen (z. B. bei bestimmten Kombinationen von Adaptern und Retro-Gaming-Konsolen).
Bild hat Farbprobleme	Überprüfen Sie das Videokabel auf Beschädigungen. Vermeiden Sie es, Videokabel und Verlängerungskabel von geringer Qualität zu verwenden.
	Setzen Sie den Monitor auf die Werkseinstellungen zurück.
	Passen Sie die Bildeinstellungen über das OSD an.
Artefakte auf dem Monitor	Überprüfen Sie das Videokabel auf Beschädigungen.
	Überprüfen Sie Ihr Quellgerät. Eine fehlerhafte Grafikkarte oder Gaming-Konsole erfordert womöglich die Kontaktaufnahme zum Hersteller.
Dead Pixel auf dem Monitor	CORSAIR bietet eine „Zero Dead Pixel“-Richtlinie für Monitorprodukte. Wenn ein oder mehr leuchtende Pixel oder sechs oder mehr schwarze Pixel vorhanden sind, wird der Monitor während des dreijährigen Garantiezeitraums umgetauscht.
Welche VESA-Halterung ist kompatibel?	Der CORSAIR XENEON 32QHD240 unterstützt eine 100mm × 100mm Standardhalterung. Der Monitor muss vom Standfuß entfernt werden. Verwenden Sie die Montageschrauben, die mit Ihrer VESA-Halterung mitgeliefert wurden.

BETRIEB

CORSAIR XENEON 32QHD240 GAMING-MONITOR FAQ

FRAGE	ANTWORT
Kann ich eine Webcam oder digitale Spiegelreflexkamera / spiegellose Kamera am Monitor befestigen?	Der CORSAIR XENEON 32QHD240 unterstützt Standard-Webcams, die auf dem oberen Rahmen des Displays angebracht werden.
Mein CORSAIR XENEON-Monitor wird nicht von CORSAIR iCUE erkannt	Überprüfen Sie, ob auf Ihrem PC die neueste Version von CORSAIR iCUE installiert ist. Der CORSAIR XENEON 32QHD240 wird von den iCUE-Versionen 4.24 oder höher unterstützt.
	Überprüfen Sie, ob das am USB-C-Upstream-Anschluss am Monitor und am USB 3.0-Anschluss Ihres PCs angeschlossene Kabel ordnungsgemäß verbunden ist. Vermeiden Sie es möglichst, den Monitor über einen USB-Hub oder ein Verlängerungskabel anzuschließen. Für optimale Ergebnisse empfehlen wir, das mit dem CORSAIR XENEON-Monitor mitgelieferte USB-C-Kabel zu verwenden.
Welche Optionen für adaptive Bildwiederholraten sind für den CORSAIR XENEON verfügbar?	Der CORSAIR XENEON 32QHD240 FreeSync Premium-zertifiziert sowie kompatibel mit NVIDIA G-SYNC.
AMD FreeSync / G-SYNC sind nicht aktiviert	Überprüfen Sie, ob AMD FreeSync über das OSD aktiviert wurde.
	Überprüfen Sie die Einstellungen Ihrer Grafikkarte, und stellen Sie sicher, dass AMD FreeSync / NVIDIA G-SYNC aktiviert ist. AMD FreeSync funktioniert über jeden der Videoanschlüsse. Die NVIDIA G-Sync-Kompatibilität funktioniert nur über DP- oder USB-C-Alt-Modus DP.
Der Monitor bietet nicht die Bildwiederholrate von 240Hz	Überprüfen Sie die Anzeigeeinstellungen Ihrer Grafikkarte / Ihres Systems, und stellen Sie sicher, dass die Bildwiederholrate von 240Hz aktiviert wurde. Verfügbare Optionen finden Sie in der Tabelle mit den unterstützten Display-Modi im Anhang.
	Überprüfen Sie das Videokabel auf Beschädigungen. Vermeiden Sie es, Videokabel und Verlängerungskabel von geringer Qualität zu verwenden.

ANHANG

TECHNISCHE DATEN

Produktbezeichnung	XENEON 32QHD240
Teilenummer	Mit Ständer CM-9020002-XX Ohne Ständer CM-9020004-XX
Gerät	RDD0020
USB-Hub-ID	CORSAIR USB 3.0 Hub
Panel-Abmessungen	32-Zoll-Diagonale
Display-Oberfläche	Blendfrei
Pixel pro Zoll	91.8
Seitenverhältnis	16:9
Native Auflösung	2560 x 1440 @ 240Hz
Reaktionszeit (MPRT)	1ms
Reaktionszeit (GtG)	5ms
Displayfarben	16.7M Farben (8-Bit-RGB)
Panel-Technologie	IPS mit Quantum Dot-Technologie
Flimmerfrei	Ja
Blickwinkel	178° (H) / 178° (V)
Spitzenhelligkeit	400 Nit (SDR) / 600 Nit (HDR)
Statisches Kontrastverhältnis	1000:1
HDR-Zertifizierung	VESA DisplayHDR 600
Farbraum (CIE 1976)	98% (DCI-P3), 100% (AdobeRGB), 100% (sRGB)
Variable Bildwiederholrate	AMD FreeSync Premium-zertifiziert, NVIDIA G-Sync-kompatibel
HDMI-Eingang	2x HDMI 2.0
DisplayPort-Eingang	1x DisplayPort 1.4
USB-C-Eingang	1x DisplayPort 1.4 (USB-C-Alt-Modus), 15 W Stromversorgung, 5 Gbit/s USB-Upstream
USB-C-Upstream-Eingang	1x 5 Gbit/s USB-C
USB-A-Ausgang	2x 5 Gbit/s USB-A (5V/0.9A *2)
3,5-mm-Audioanschluss	Ja, Passthrough vom Videoeingang

ANHANG

TECHNISCHE DATEN

Stromverbrauch (Ein)	40W
Stromverbrauch (Ruhemodus)	<0.5W
Stromverbrauch (Aus)	<0.3W
VESA-Kompatibilität	100mm x 100mm
Abmessungen	732mm x 553mm x 270mm (W x H x D)
Gewicht	8.4kg
Neigungswinkel des Ständers	-5° / +20°
Schwenkwinkel des Ständers	-30° / +30°
Höhenanpassungsbereich des Ständers	68mm
AC-Adapter	150W
	Hinweis: Ihr Gerät ist mit dem folgenden Netzteil ausgestattet: Asian Power Devices Inc. / DA-150E19

UNTERSTÜTZTE DISPLAY-MODI

AUFLÖSUNG		BILDWIEDERHOLRATE	HDMI	DP/TYPE-C
640x480	VGA	60Hz	V	V
		67Hz	V	V
		72Hz	V	V
		75Hz	V	V
800x600	SVGA	56Hz	V	V
		60Hz	V	V
		72Hz	V	V
		75Hz	V	V
1024x768	XGA	60Hz	V	V
		70Hz	V	V
		75Hz	V	V

ANHANG

UNTERSTÜTZTE DISPLAY-MODI

AUFLÖSUNG		BILDWIEDERHOLRATE	HDMI	DP/TYPE-C
1280x1024	SXGA	60Hz	V	V
		75Hz	V	V
1440x900	WXGA+	60Hz	V	V
1680x1050	WSXGA+	60Hz	V	V
1920x1080	FHD	60Hz	V	V
		144Hz		V
		165Hz		V
2560x1440	QHD	60Hz	V	V
		120Hz	V	V
		144Hz	V	V
		165Hz		V
		180Hz		V
		240Hz		V
480P	60Hz	V	V	
576P	50Hz	V	V	
720P	50Hz	V	V	
	60Hz	V	V	
	120Hz	V	V	
1080P	60Hz	V	V	
	120Hz	V	V	
2160P	30Hz	V	V	
	60Hz	V	V	

HDMI-IMPRESSUM



HDMI

Die Begriffe HDMI, HDMI High-Definition Multimedia Interface, HDMI-Aufmachung (HDMI Trade Dress) und die HDMI-Logos sind Marken oder eingetragene Marken von HDMI Licensing Administrator, Inc.

SOMMARIO

AVVERTENZA	2
CONTENUTO DELLA CONFEZIONE	3
ASSEMBLAGGIO	4
REGOLAZIONE DI INCLINAZIONE, ROTAZIONE E ALTEZZA	5
GESTIONE CAVI, SUPPORTO TELECAMERA (FACOLTATIVO) E ALTRE OPZIONI DI MONTAGGIO	6
CONNETTIVITÀ	8
FUNZIONAMENTO	9
CONTROLLI	9
VISUALIZZAZIONE OSD (ON-SCREEN DISPLAY)	9
OSD – IMPOSTAZIONI IMMAGINE	10
OSD – IMPOSTAZIONE OSD	12
OSD – IMPOSTAZIONE DI SISTEMA	13
OSD – AUDIO	15
OSD – Selezione ingresso	16
OSD – INFORMAZIONI	17
DOMANDE FREQUENTI/RISOLUZIONE DEI PROBLEMI	18
APPENDICE	21
SPECIFICHE TECNICHE	21
MODALITÀ DI VISUALIZZAZIONE SUPPORTATE	22
NOTE LEGALI HDMI	24



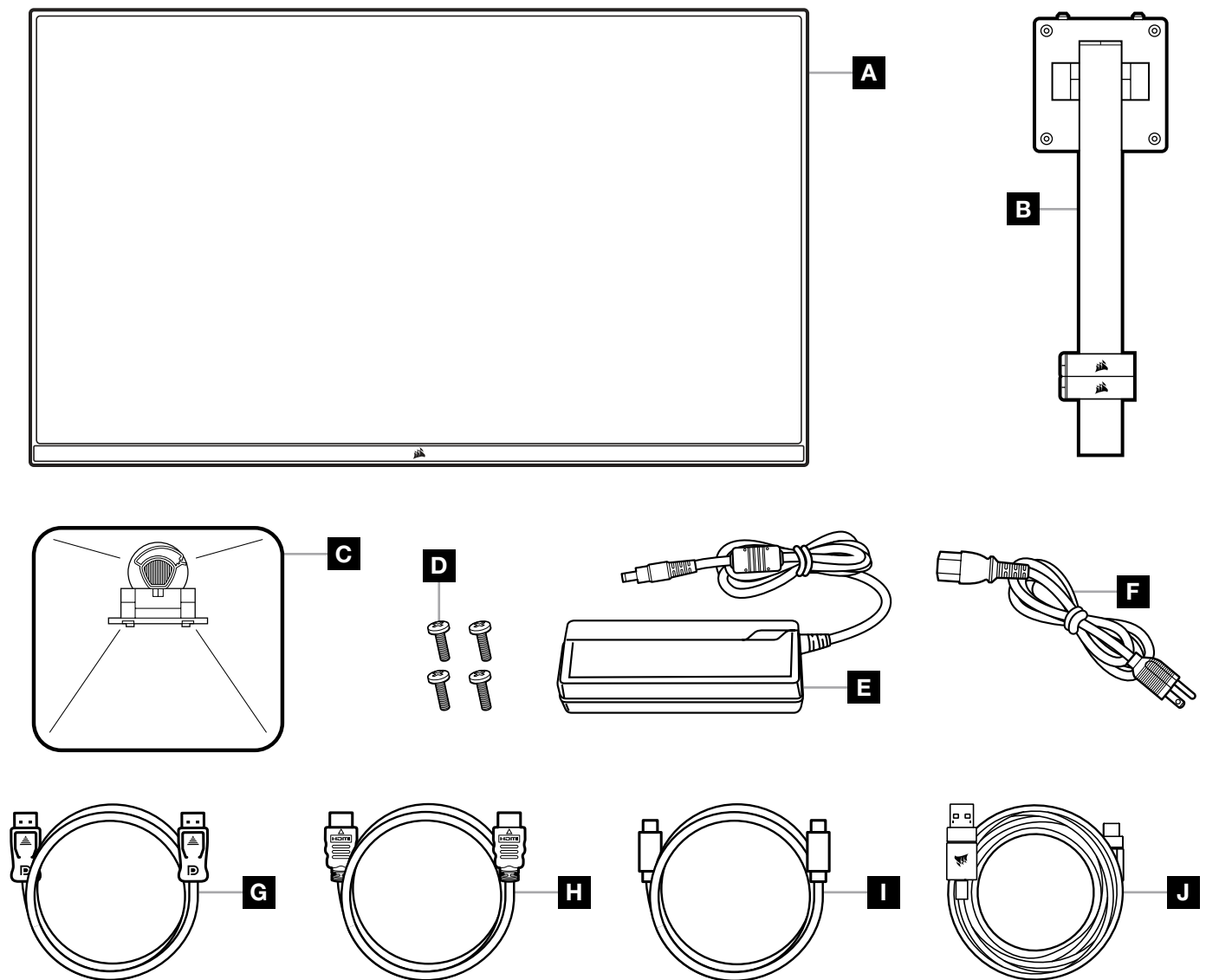
Scansione il codice QR per la Guida di avvio rapido e i video di configurazione

Le istruzioni relative alla configurazione del prodotto, le Informazioni utente e la Garanzia/Assicurazione Zero Dead Pixel sono disponibili all'indirizzo: <https://qsg.corsair.com/xeneon-monitors>

AVVERTENZA

- Utilizzare esclusivamente gli accessori in dotazione con il monitor o quelli consigliati dal produttore.
- Tenere il sacchetto di imballaggio di plastica fuori dalla portata dei bambini.
- Prima di collegare il monitor alla presa di alimentazione, assicurarsi che la tensione nominale del cavo di alimentazione sia compatibile con le specifiche in vigore nel paese di residenza.
- La spina del cavo di alimentazione deve essere inserita in una presa di corrente correttamente collegata a massa e cablata.
- Non toccare la spina con le mani bagnate. Potrebbe causare scosse elettriche.
- Posizionare il monitor su un appoggio stabile e in un luogo ben ventilato.
- Non posizionare il monitor in prossimità di fonti di calore come radiatori o alla luce diretta del sole.
- Il monitor dispone di fori per la ventilazione. Non coprire o ostruire i fori per la ventilazione.
- Non utilizzare il monitor in prossimità di acqua, bevande o altro tipo di liquido. Eventuali inosservanze potrebbero provocare scosse elettriche o danneggiare il monitor.
- Prima di procedere alla pulizia del monitor, scollegare il cavo di alimentazione.
- Poiché la superficie dello schermo può essere facilmente graffiata, non toccare tale superficie con oggetti duri o taglienti. Utilizzare un panno morbido, anziché un tessuto, per pulire lo schermo. Se necessario, utilizzare un detergente per vetri per pulire il dispositivo. Non spruzzare il detergente direttamente sullo schermo.
- Scollegare il cavo di alimentazione se il dispositivo non viene utilizzato per molto tempo.
- Non smontare o riparare il monitor da soli.

CONTENUTO SCHERMO XENEON 32QHD240 CONTENUTO



A PANNELLO SCHERMO XENEON 32QHD240
CONTENUTO

B MONTANTE (SOLO PER CM-9020002)

C SUPPORTO (SOLO PER CM-9020002)

D VITI DI MONTAGGIO (4)

E ADATTATORE AC

F CAVO DI ALIMENTAZIONE AC

G CAVO DISPLAYPORT (1,5M)

H CAVO HDMI (1,5M)

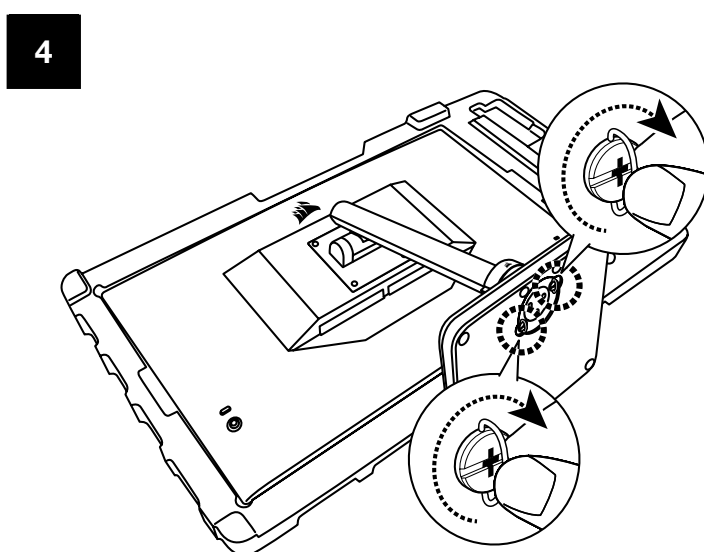
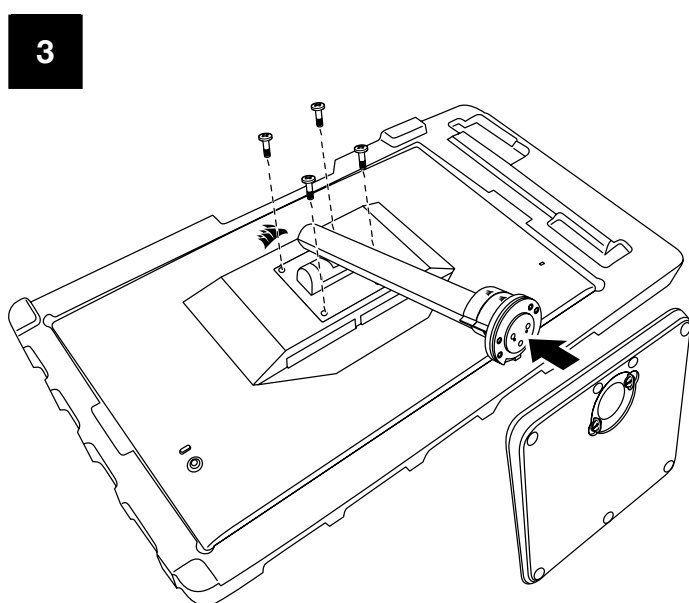
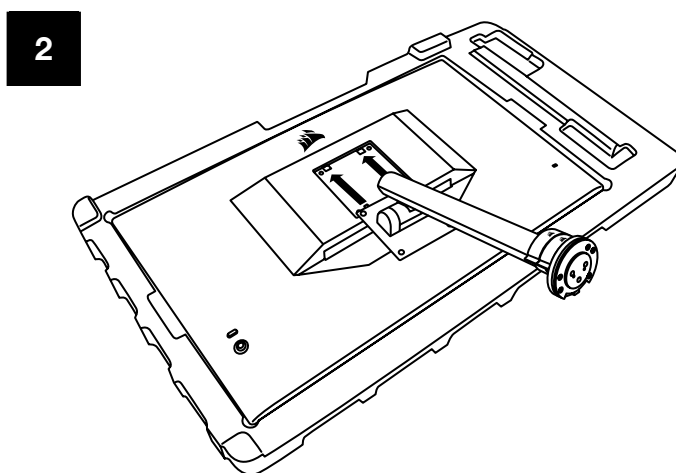
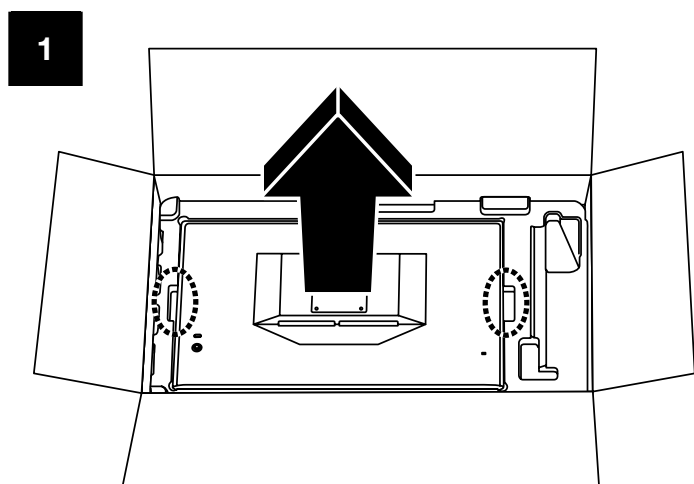
I CAVO USB-C (1,5M)

J CAVO DA USB-A A USB-C (1,8M)

ASSEMBLAGGIO (SOLO PER CM-9020002)

Prima di iniziare, è necessario disporre di un cacciavite a stella.

1. Rimuovere lo strato superiore di polistirolo che protegge gli accessori e il supporto per estrarre la parte posteriore del pannello.
2. Aprire con cura la confezione di polistirolo che copre il pannello (vedere Immagine 1) per estrarre l'area di montaggio. Non rimuovere il pannello dalla confezione.
3. Allineare il montante del monitor alle guide di montaggio nella parte posteriore del pannello (vedere Immagine 2). Far scorrere i ganci superiori all'interno delle guide di montaggio nella parte posteriore del pannello. Fissare il montante al pannello con le 4 viti utilizzando un cacciavite a stella (vedere Immagine 3).
4. Collegare la base al supporto del monitor (vedere Immagine 3), quindi stringere le viti di bloccaggio nella parte inferiore del sostegno (vedere Immagine 4).
5. Rimuovere con cura il monitor dalla confezione e posizionarlo in posizione verticale sul tavolo. Non toccare la parte anteriore del pannello mentre si solleva il monitor.



REGOLAZIONE DI INCLINAZIONE, ROTAZIONE E ALTEZZA (SOLO PER CM-9020002)

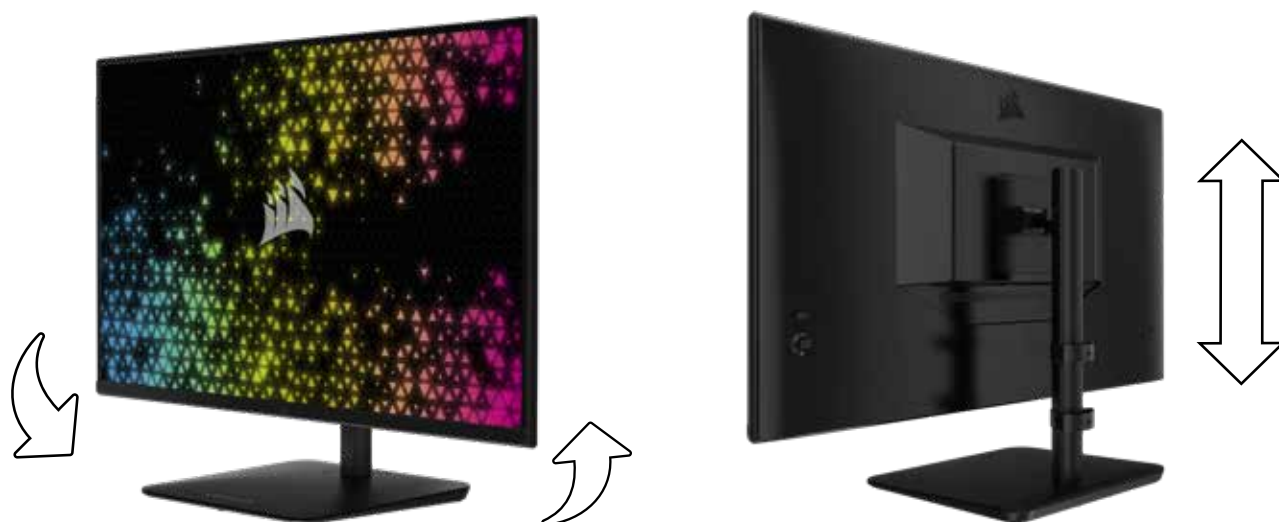
Lo schermo Xeneon è dotato di un supporto elegante e resistente di cui è possibile regolare l'inclinazione, la rotazione e l'altezza.

- Inclinazione -5 / +20 gradi
- Rotazione \pm 30 gradi
- Intervallo di regolazione dell'altezza di 68mm

INCLINAZIONE

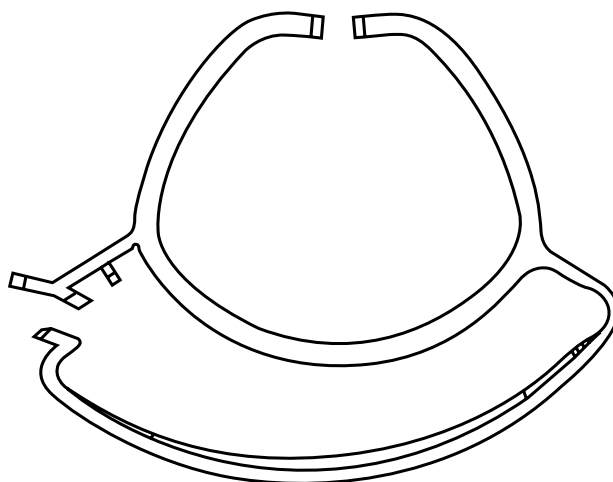


REGOLAZIONE DI ROTAZIONE E ALTEZZA



SISTEMA DI GESTIONE DEI CAVI RAPIDROUTE (SOLO PER CM-9020002)

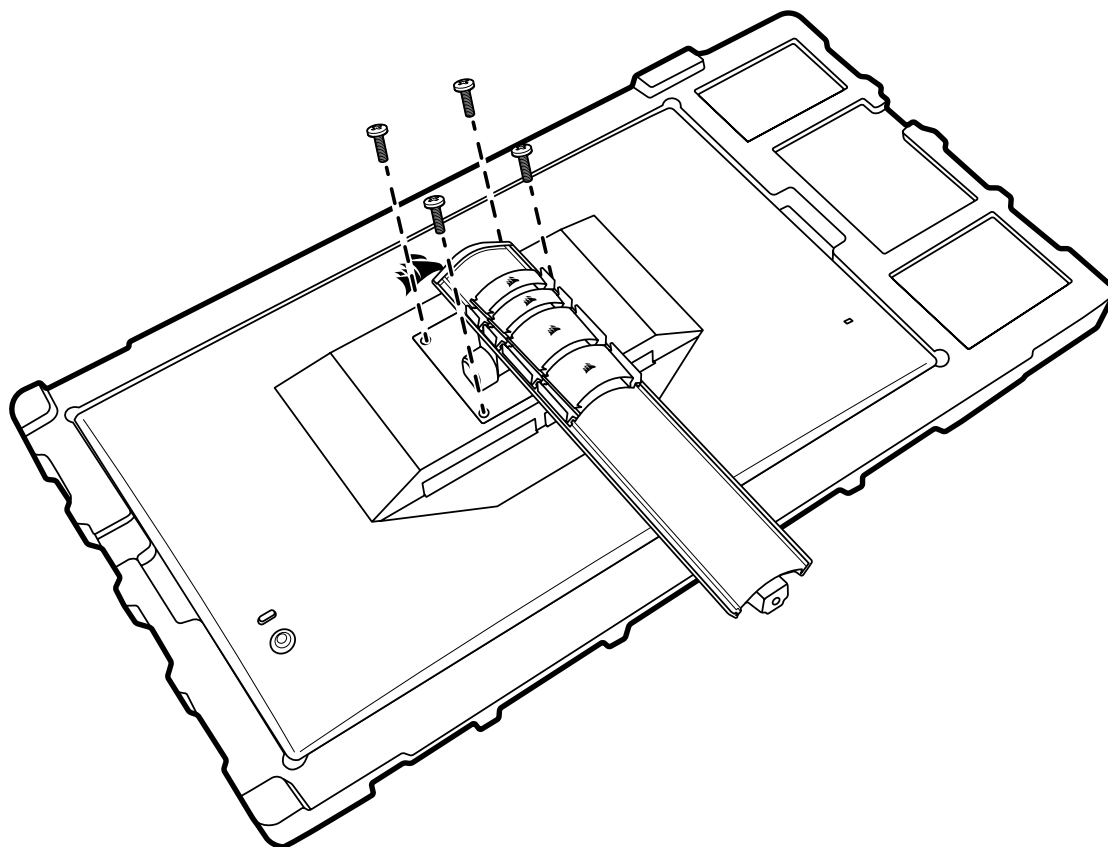
Lo schermo Xeneon dispone del sistema RapidRoute integrato per la gestione dei cavi per aiutare a tenere in ordine la propria postazione. Ci sono 2 morsetti per cavi regolabili che consentono di far scorrere il supporto dello schermo e di personalizzare la gestione dei cavi in base alle esigenze. Aprire ciascun morsetto per cavi premendo la chiusura a pressione verso sinistra e tirare il morsetto verso l'esterno per estrarlo.



COMPATIBILITÀ CON SUPPORTO DA PARETE

Prima di posizionare lo schermo mediante il supporto da parete compatibile (VESA 100mm x 100mm) assicurarsi:

- Di aver rimosso il sostegno dal monitor mediante un cacciavite a stella
- Che la staffa di montaggio da parete acquistata supporti l'altezza del display

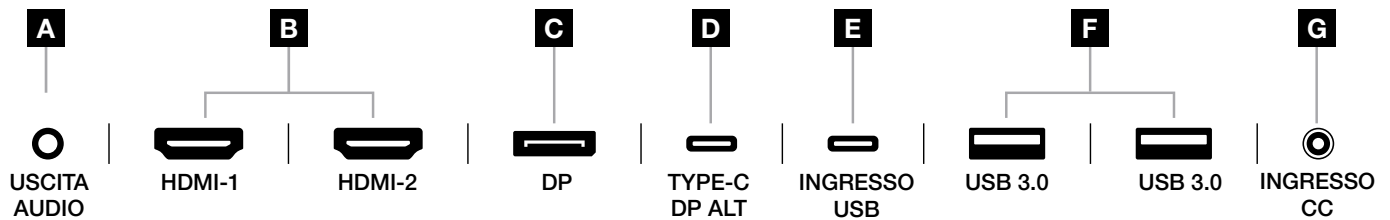


Di consultare le istruzioni fornite con il supporto da parete per ulteriori informazioni sulla modalità corretta di montaggio.

AVVERTENZA: Il display presenta quattro fori di montaggio VESA nella parte posteriore. È necessario fissare una staffa di montaggio da parete a tutti e quattro i fori. Se non si utilizzano tutti e quattro i fori, lo schermo potrebbe cadere e provocare danni a cose o persone.

Nota: Le viti per il montaggio a parete non sono incluse. Viti: tipo M4, di lunghezza da 14mm a 16mm, a seconda del supporto da parete.

CONNETTIVITÀ



- A. Jack audio da 3,5mm**
Output audio mediante collegamento HDMI, DisplayPort e dispositivi con modalità Alt USB-C.
- B. HDMI 2.0 Ports**
I doppi ingressi HDMI corrispondono agli ingressi "HDMI-1" e "HDMI-2".
- C. Porta DisplayPort 2.0**
La porta di ingresso DisplayPort corrisponde alla porta di ingresso "DisplayPort".
- D. Porta USB Type-C**
Supporta le porte di ingresso con modalità Alt DisplayPort e la porta USB upstream (per il collegamento alle porte USB 3.0). Corrisponde alla porta di ingresso "TYPE-C". Per supportare la funzionalità CORSAIR iCUE e le porte USB 3.0 downstream, è necessario collegare questa porta o la porta upstream a una porta compatibile con USB sul dispositivo host.
- E. Porta di INGRESSO USB**
Porta di ingresso USB upstream. Per supportare la funzionalità CORSAIR iCUE e le porte USB 3.0 downstream, è necessario collegare questa porta o la porta USB Type-C a una porta compatibile con USB sul dispositivo host.
- F. Porte USB 3.0**
Porte USB Type-A doppie da 5 Gbps.
- G. Ingresso CC**
Collegamento all'adattatore AC incluso.

FUNZIONAMENTO

CONTROLLI

 — ALIMENTAZIONE ON/OFF

 — **PRESSIONE:** Apre le impostazioni di visualizzazione

SU: Visualizza il cursore della luminosità
GIÙ: Visualizza il selettore Modalità immagine
SINISTRA: Visualizza il cursore del volume
DESTRA: Apre il selettore Origine output



Lo schermo include un joystick nella parte posteriore, sul lato destro, che consente di utilizzare i tasti di scelta rapida e di sfogliare le impostazioni di visualizzazione. Nota: è possibile controllare molte delle impostazioni anche mediante il software CORSAIR iCUE se si dispone di un hub USB collegato al computer mediante porta USB IN. Installare l'ultima versione di iCUE (4.24 o successiva) disponibile all'indirizzo <https://www.corsair.com/us/en/icue>.

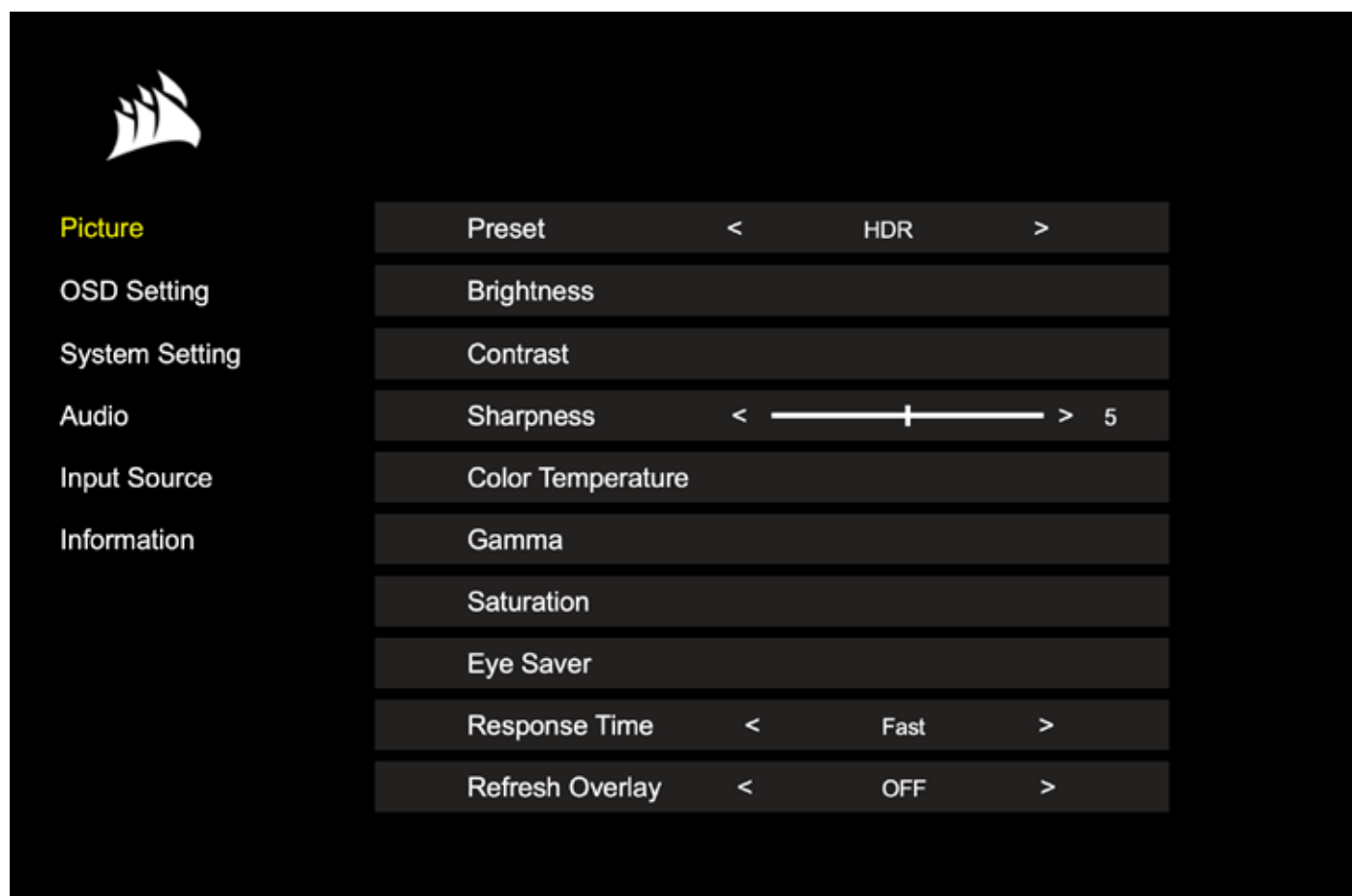
VISUALIZZAZIONE OSD (ON-SCREEN DISPLAY)

Per accedere alle impostazioni di visualizzazione dello schermo, premere il joystick verso l'interno. È possibile utilizzare il joystick per sfogliare le impostazioni. Per confermare una selezione, premere il joystick verso l'interno.

FUNZIONAMENTO

OSD – IMPOSTAZIONI IMMAGINE

Il primo menu, con l'etichetta "Immagine", contiene le seguenti impostazioni che consentono di regolare la qualità generale dell'immagine.



FUNZIONAMENTO

OSD – IMPOSTAZIONI IMMAGINE

IMPOSTAZIONI	OPZIONI	DESCRIZIONE
Modalità immagine	Standard	Seleziona un'impostazione predefinita di fabbrica calibrata per l'utilizzo generale e il massimo risparmio energetico
	Film	Seleziona un'impostazione predefinita dello schermo ottimizzata per la riproduzione di film
	Testo	Seleziona un'impostazione predefinita dello schermo ottimizzata per la lettura di testo
	sRGB	Seleziona un'impostazione predefinita di fabbrica calibrata per lo spazio colore sRGB
	Creatività	Seleziona un'impostazione predefinita di fabbrica calibrata per le attività di creazione di contenuti
	Gioco	Seleziona un'impostazione predefinita dello schermo ottimizzata per i giochi con movimenti rapidi
	DCI-P3	Seleziona un'impostazione predefinita dello schermo ottimizzata per la riproduzione di contenuti HDR nello spazio colore DCI-P3
	AdobeRGB	Seleziona un'impostazione predefinita dello schermo ottimizzata per la riproduzione di contenuti HDR nello spazio colore AdobeRGB
	HDR	Visualizza HDR quando viene selezionata la modalità HDR nel sistema operativo
Luminosità	0-100	Regola l'intensità della retroilluminazione dello schermo
Contrasto	0-100	Regola il contrasto dello schermo
Nitidezza	0-10	Regola il filtro della nitidezza dello schermo, consentendo di aumentare il livello di dettaglio
Temperatura di colore	Fredda	Imposta la temperatura di colore dello schermo su 9300K
	Normale	Imposta la temperatura di colore dello schermo su 6500K standard
	Calda	Imposta la temperatura di colore dello schermo su 5000K
	Personalizzata	Consente di impostare manualmente la temperatura del colore dello schermo mediante i cursori di controllo per i livelli di rosso, blu e verde
Gamma	2.0, 2.2, 2.4	Regola la relazione tra colore e luminosità; il valore predefinito è 2.2
Saturazione	0-10	Regola l'intensità dei colori dello schermo
Protezione occhi	ON o OFF	Quando questa opzione è attiva, riduce le emissioni di luce blu
Tempo di risposta	Normale, Veloce, Più veloce, Massima, OD dinamico	Consente di aumentare la velocità con cui i pixel possono passare da un colore all'altro, permettendo di ridurre la sfocatura degli oggetti in rapido movimento
Overlay aggiornamento	ON o OFF	Consente di attivare o disattivare un overlay nell'angolo superiore destro dello schermo che mostra la frequenza di aggiornamento attuale dello schermo, utile per il tracking dei fotogrammi al secondo quando è attiva la funzione Adaptive Sync
MPRT	ON o OFF	Attiva o disattiva l'impostazione "Tempo di risposta immagine in movimento", che consente di ridurre la sfocatura degli oggetti in movimento quando impostata su "On"
Attenuazione locale	ON o OFF	Per disattivare la retroilluminazione in aree specifiche, per un nero più intenso e un miglior rapporto di contrasto
Puntatore	OFF, Punto, Croce, Angolo	Abilitare la funzione Puntatore

FUNZIONAMENTO

OSD – IMPOSTAZIONE OSD

Il secondo menu, con l'etichetta "Impostazione OSD", contiene le seguenti impostazioni che consentono di regolare la visualizzazione dell'immagine in sovrimpressione (OSD).

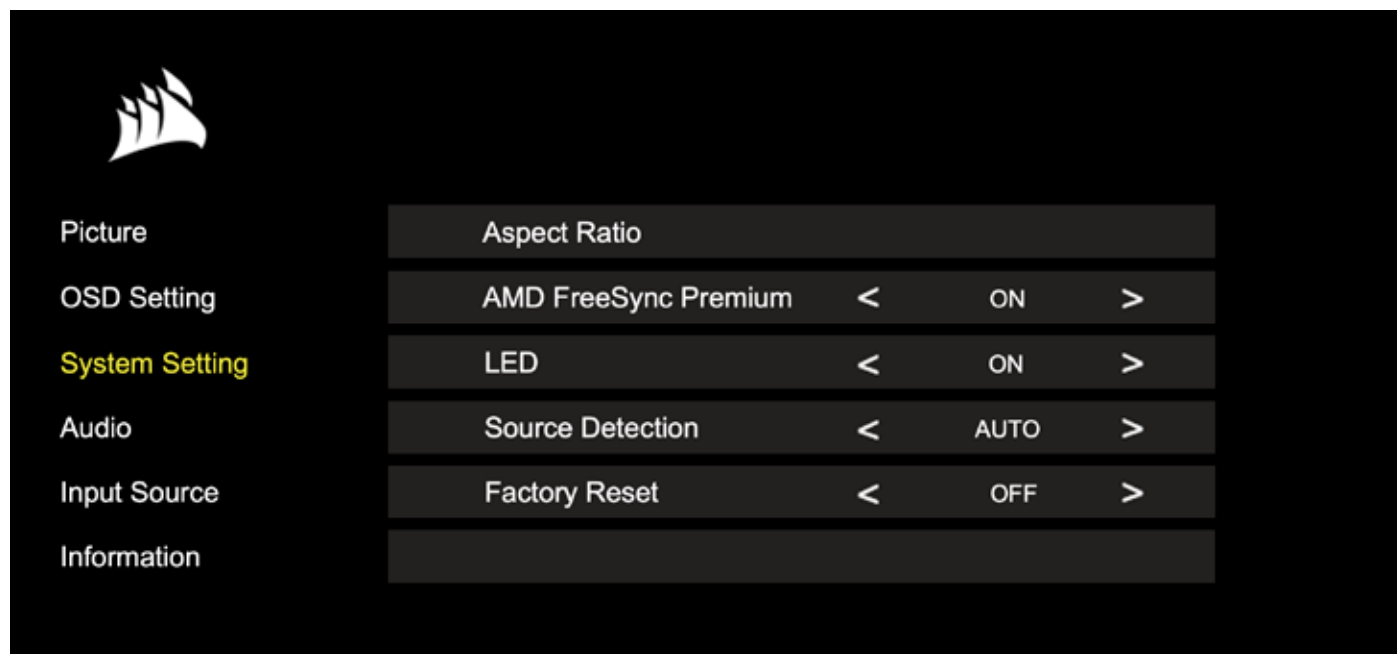


IMPOSTAZIONE	OPZIONI	DESCRIZIONE
Lingua	English Français Deutsch Italiano Español Português Русский 繁體中文 日本語 한국어	Seleziona la lingua dell'OSD
Trasparenza	ON o OFF	Imposta l'OSD in modo che sia trasparente o opaco
Timeout	10-60	Regola la durata (in secondi) in cui l'OSD viene visualizzato sullo schermo prima di sparire

FUNZIONAMENTO

OSD – IMPOSTAZIONE DI SISTEMA

Il terzo menu, denominato “Impostazione di sistema”, contiene le seguenti opzioni che consentono di regolare le impostazioni interne dello schermo.



FUNZIONAMENTO

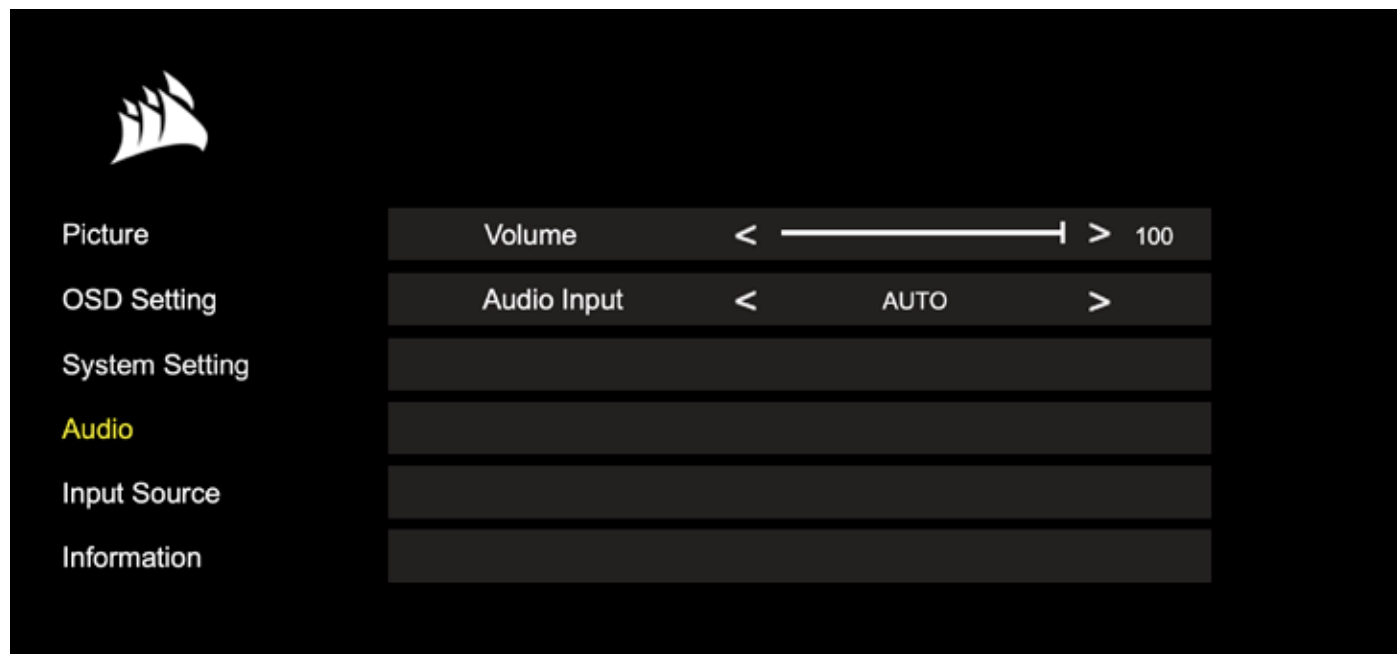
OSD – IMPOSTAZIONE DI SISTEMA

IMPOSTAZIONE	OPZIONI	DESCRIZIONE
Proporzioni	Auto, 4:3, 16:9	Seleziona le proporzioni dello schermo “Auto” tenterà di far corrispondere le proporzioni dello schermo al segnale video in entrata. Non disponibile se è abilitato Adaptive Sync
AMD FreeSync Premium	ON o OFF	<p>Abilita o disabilita la funzionalità Adaptive Sync quando connesso a una GPU compatibile. Selezionare ON per abilitare Adaptive Sync per AMD FreeSync mediante HDMI</p> <p>Supporta NVIDIA G-Sync quando connesso a una CPU compatibile tramite cavo DP o cavo in modalità Alt USB Type-C. Per la funzionalità NVIDIA G-Sync:</p> <ul style="list-style-type: none"> • Installare/aprire il pannello di controllo NVIDIA • Selezionare “Configura G-Sync” • Selezionare la casella di controllo “Abilita compatibilità G-Sync” • Selezionare 32QHD240/RDD0020 • Selezionare la casella di controllo “Abilita le impostazioni per il modello di visualizzazione selezionato” <p>Potrebbe essere necessario riavviare il sistema per accedere alle impostazioni NVIDIA</p>
LED	ON o OFF	Consente di selezionare le opzioni ON o OFF per l'indicatore LED di alimentazione
Rilevamento sorgente	AUTO o MANUALE	Consente di impostare se lo schermo passa automaticamente a un ingresso differente se rileva un segnale o se è necessario selezionare l'ingresso manualmente
Modalità Alt USB-C (disponibile solo quando il monitor è connesso tramite la porta video USB-C)	4 corsie 2 corsie	<p>Consente di selezionare il numero di canali USB da utilizzare sulla porta USB-C per la riproduzione video</p> <ul style="list-style-type: none"> • La modalità a 4 corsie offre una risoluzione massima di 2560x1440@240Hz, tuttavia riduce la velocità delle porte USB Type-A a USB 2.0 • La modalità a 2 corsie offre una risoluzione massima di 2560x1440@120Hz, ma consente di mantenere la velocità USB 3.0 delle porte USB Type-A
Ripristino impostazioni predefinite	ON o OFF	Ripristina tutte le impostazioni dello schermo alle impostazioni predefinite di fabbrica

FUNZIONAMENTO

OSD – AUDIO

Il quarto menu, con l’etichetta “Audio”, consente di controllare le impostazioni audio dello schermo.

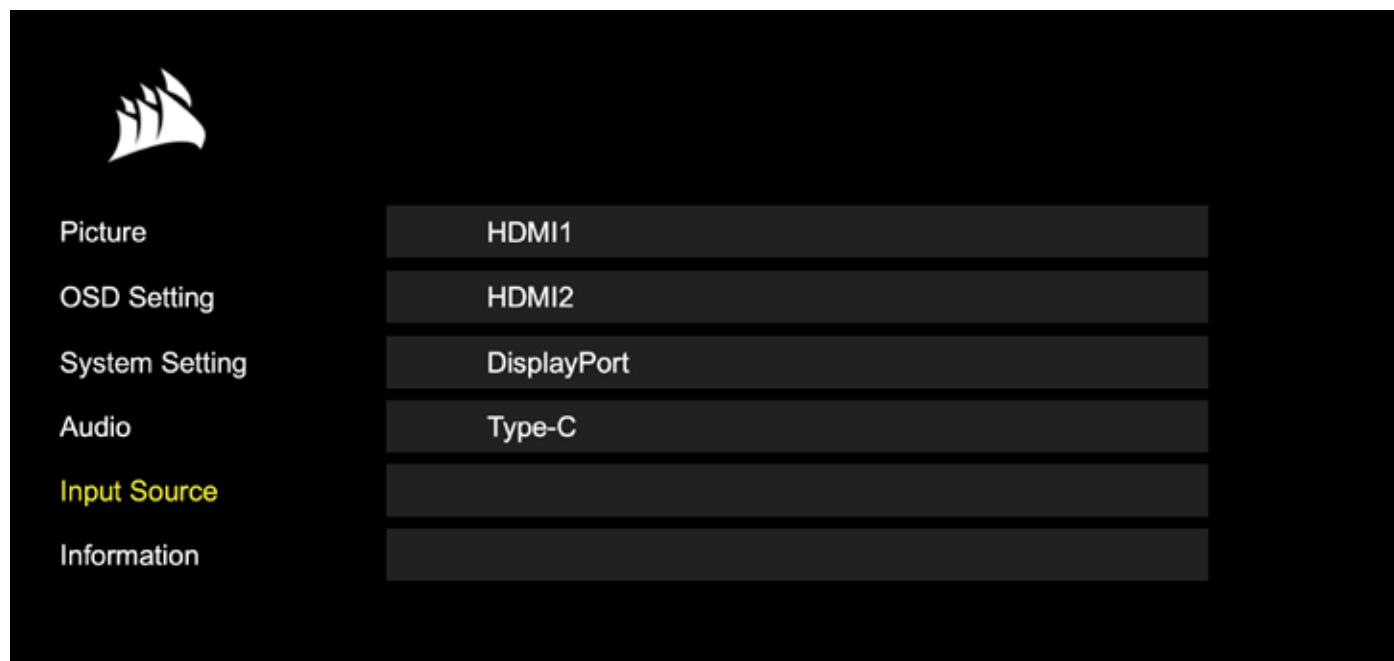


IMPOSTAZIONE	OPZIONI	DESCRIZIONE
Volume	0-100	Regola il volume dell’output audio dal jack delle cuffie
Ingresso audio	Auto, HDMI-1, HDMI-2, DisplayPort, USB Type-C	Seleziona l’ingresso dal quale l’audio viene trasmesso al jack delle cuffie dallo schermo. “Auto” utilizzerà l’ingresso corrente

FUNZIONAMENTO

OSD – SELEZIONE INGRESSO

Il quinto menu, con l'etichetta "Selezione ingresso", consente di selezionare tra le differenti opzioni di ingresso dello schermo.

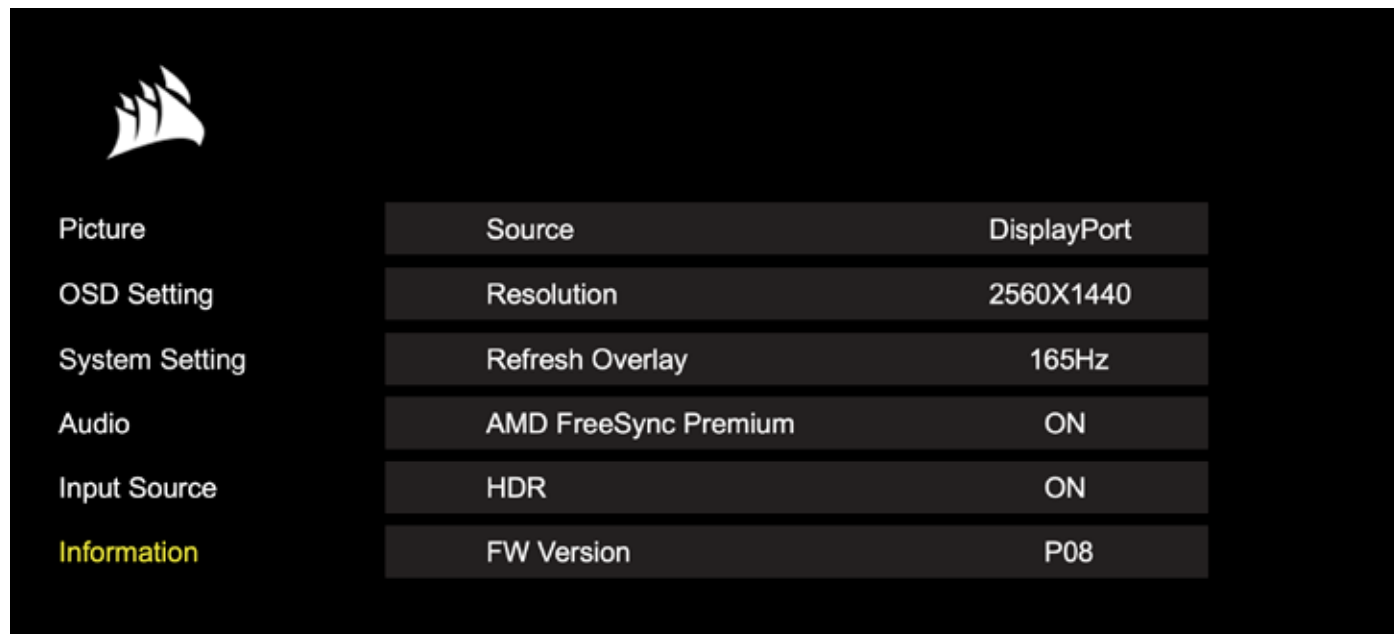


IMPOSTAZIONE	DESCRIZIONE
HDMI-1	Seleziona il dispositivo collegato alla porta HDMI-1
HDMI-2	Seleziona il dispositivo collegato alla porta HDMI-2
DisplayPort	Seleziona il dispositivo collegato alla porta DisplayPort "DP"
TYPE-C	Seleziona il dispositivo collegato alla porta TIPO C

FUNZIONAMENTO

OSD – INFORMAZIONI

Indica lo stato attuale delle impostazioni per le funzionalità chiave.



Picture	Source	DisplayPort
OSD Setting	Resolution	2560X1440
System Setting	Refresh Overlay	165Hz
Audio	AMD FreeSync Premium	ON
Input Source	HDR	ON
Information	FW Version	P08

IMPOSTAZIONE	DESCRIZIONE
Sorgente	Visualizzazione della sorgente di input attuale
Risoluzione	Visualizzazione della risoluzione dello schermo attuale
Overlay aggiornamento	Visualizzazione della frequenza di aggiornamento attuale
AMD FreeSync Premium	Stato AMD FreeSync Premium
HDR	Stato HDR
Versione FW	Mostra la versione FW attuale

FUNZIONAMENTO

FAQ PER IL MONITOR GAMING CORSAIR XENEON 32QHD240

DOMANDA	RISPOSTA																						
LED di alimentazione non attivo	Premere il pulsante di alimentazione nella parte posteriore del monitor per verificare che sia impostato su ON.																						
	Assicurarsi che il cavo di alimentazione e l'adattatore di corrente siano correttamente collegati al monitor.																						
	Assicurarsi di aver selezionato e attivato il LED di alimentazione nel menu Impostazioni OSD di sistema.																						
Nessuna immagine sullo schermo	Assicurarsi che il monitor sia acceso.																						
	Assicurarsi che il cavo video e il dispositivo di origine siano correttamente collegati al monitor.																						
	Assicurarsi che il cavo video non sia danneggiato. Non utilizzare cavi e prolunghe video di scarsa qualità.																						
	Verificare l'input di origine video impostata per il monitor (assicurarsi che la funzionalità Origine automatica sia disabilitata in OSD).																						
	Collegare un altro dispositivo di origine per verificare l'input video.																						
	Collegare il dispositivo di origine a un altro monitor disponibile per verificare l'output video.																						
	Non utilizzare il collegamento a caldo. Assicurarsi di aver collegato il monitor all'origine prima dell'accensione del dispositivo di origine.																						
Immagine troppo chiara/scura	Regolare le impostazioni di luminosità/gamma/contrasto mediante l'OSD.																						
	Ripristinare le impostazioni predefinite del monitor.																						
Segnale video non supportato	Verificare le impostazioni di output video del dispositivo sorgente. Le risoluzioni di input supportate dal monitor gaming CORSAIR XENEON 32QHD240 sono:																						
	<table border="1"> <thead> <tr> <th>RISOLUZIONE</th> <th>FREQUENZA DI AGGIORNAMENTO</th> </tr> </thead> <tbody> <tr> <td>640x480</td> <td>60, 67, 72, 75Hz</td> </tr> <tr> <td>800x600</td> <td>56, 60, 72, 75Hz</td> </tr> <tr> <td>1024x768</td> <td>60, 70, 75Hz</td> </tr> <tr> <td>1280x1024</td> <td>60, 75Hz</td> </tr> <tr> <td>1440x900</td> <td>60Hz</td> </tr> <tr> <td>1680x1050</td> <td>60Hz</td> </tr> <tr> <td rowspan="2">1920x1080</td> <td>60Hz</td> </tr> <tr> <td>144, 165Hz (DP, Type-C)</td> </tr> <tr> <td rowspan="2">2560x1440</td> <td>60, 120, 144Hz</td> </tr> <tr> <td>165, 180, 240Hz (DP, Type-C)</td> </tr> <tr> <td>3840x2160</td> <td>30, 60Hz (per supporto ridotto della console)</td> </tr> </tbody> </table>	RISOLUZIONE	FREQUENZA DI AGGIORNAMENTO	640x480	60, 67, 72, 75Hz	800x600	56, 60, 72, 75Hz	1024x768	60, 70, 75Hz	1280x1024	60, 75Hz	1440x900	60Hz	1680x1050	60Hz	1920x1080	60Hz	144, 165Hz (DP, Type-C)	2560x1440	60, 120, 144Hz	165, 180, 240Hz (DP, Type-C)	3840x2160	30, 60Hz (per supporto ridotto della console)
	RISOLUZIONE	FREQUENZA DI AGGIORNAMENTO																					
	640x480	60, 67, 72, 75Hz																					
	800x600	56, 60, 72, 75Hz																					
	1024x768	60, 70, 75Hz																					
	1280x1024	60, 75Hz																					
	1440x900	60Hz																					
	1680x1050	60Hz																					
	1920x1080	60Hz																					
		144, 165Hz (DP, Type-C)																					
2560x1440	60, 120, 144Hz																						
	165, 180, 240Hz (DP, Type-C)																						
3840x2160	30, 60Hz (per supporto ridotto della console)																						

FUNZIONAMENTO

FAQ PER IL MONITOR GAMING CORSAIR XENEON 32QHD240

DOMANDA	RISPOSTA
CORSAIR XENEON 32QHD240 supporta i video mediante USB-C?	Sì, the CORSAIR XENEON 32QHD240 supporta il collegamento DisplayPort mediante USB-C con l'ausilio dell'input dedicato ALT DP USB-C. Utilizzare il cavo USB-C da 1,5 m incluso o un cavo USB Type-C di qualità che supporti USB 3.2 Gen 2 per ottenere risultati ottimali.
Non riesco a utilizzare i dispositivi collegati alle porte USB-A sul mio monitor quando connesso al mio dispositivo compatibile con la modalità Alt USB-C tramite un singolo cavo USB-C	Per impostazione predefinita, la modalità Alt USB-C supporta la modalità 4 corsie, che offre una completa risoluzione DisplayPort mediante USB-C. Tuttavia, ciò comporta la disabilitazione delle porte USB-A. Per abilitare di nuovo le porte USB-A quando collegato esclusivamente mediante l'input ALT DP USB-C, passare alla modalità 2 corsie, che consente di ridurre la risoluzione dell'output video supportato. In questo modo, sarà possibile abilitare di nuovo le porte USB-A per le periferiche connesse alle porte USB-A del monitor. In alternativa, è possibile collegare il dispositivo di origine alla porta USB downstream o alla porta ALT DP USB-C per una risoluzione video e una funzionalità delle porte USB ottimali. Assicurarsi di utilizzare un cavo USB Type-C di qualità che supporti USB 3.2 Gen 2 per ottenere risultati ottimali.
Immagine allungata/schiacciata	Selezionare l'impostazione "Proporzioni" in "Impostazioni di sistema". Per impostazione predefinita, è impostata su "Auto", tuttavia, in alcuni casi, è necessario impostare manualmente le proporzioni (ad es. in combinazione con determinati adattatori e console gaming retrò).
Immagine con problemi di colore	Assicurarsi che il cavo video non sia danneggiato. Non utilizzare cavi e prolunghe video di scarsa qualità.
	Ripristinare le impostazioni predefinite del monitor.
	Regolare le impostazioni dell'immagine tramite l'OSD.
Elementi nell'immagine su schermo	Assicurarsi che il cavo video non sia danneggiato.
	Assicurarsi se sia necessario richiedere assistenza per il vostro dispositivo di origine, una scheda grafica difettosa o la console gaming.
Monitor con pixel mancanti	CORSAIR offre un'assicurazione "Zero Dead Pixel" per i prodotti monitor. Se si riscontrano 1 o più pixel chiari o 6 o più subpixel scuri, il monitor verrà sostituito nel periodo di 3 anni di garanzia.
Qual è il supporto VESA compatibile?	CORSAIR XENEON 32QHD240 supporta sistemi di montaggio standard di 100mm x 100mm. È necessario rimuovere il monitor dal supporto. Utilizzare le viti di montaggio fornite con il supporto VESA.

FUNZIONAMENTO

FAQ PER IL MONITOR GAMING CORSAIR XENEON 32QHD240

DOMANDA	RISPOSTA
Posso montare una webcam o una telecamera digitale SLR/mirrorless?	CORSAIR XENEON 32QHD240 supporta le webcam standard per il pannello superiore del monitor.
Il mio monitor CORSAIR XENEON non viene rilevato da CORSAIR iCUE	Assicurarsi che sul PC sia installata l'ultima versione di CORSAIR XENEON 32QHD240 supporta la versione iCUE 4.24 o successive.
	Assicurarsi che il cavo connesso alla porta USB-C upstream sul monitor e la porta USB 3.0 del PC siano correttamente collegati. Non collegare al monitor hub USB o prolunghe, se possibile. Si consiglia vivamente di utilizzare il cavo USB-C in dotazione con il monitor CORSAIR XENEON per ottenere prestazioni ottimali.
Quali opzioni di frequenza di aggiornamento adattivo sono disponibile su CORSAIR XENEON?	CORSAIR XENEON 32QHD240 dispone della certificazione AMD FreeSync Premium ed è inoltre compatibile con NVIDIA G-SYNC.
AMD FreeSync / G-SYNC non sono abilitati	Assicurarsi che AMD FreeSync sia abilitato mediante l'OSD.
	Verificare le impostazioni della scheda grafica e assicurarsi che AMD FreeSync/NVIDIA G-SYNC siano abilitati. AMD FreeSync supporta qualsiasi porta video. NVIDIA G-Sync supporta solo DP o DP in modalità Alt USB Type-C.
Non riesco a ottenere la frequenza di aggiornamento di 240Hz del monitor	Verificare le impostazioni di visualizzazione della scheda grafica e del sistema e assicurarsi che la frequenza di aggiornamento da 240Hz sia abilitata. Consultare la tabella Modalità di visualizzazione supportata nell'Appendice per le opzioni disponibili.
	Assicurarsi che il cavo video non sia danneggiato. Non utilizzare cavi e prolunghe video di scarsa qualità.

APPENDICE

SPECIFICHE TECNICHE

Nome prodotto	XENEON 32QHD240
Codice prodotto	Con supporto CM-9020002-XX Senza supporto CM-9020004-XX
Dispositivo	RDD0020
ID hub USB	CORSAIR USB 3.0 Hub
Dimensioni pannello	Diagonale da 32"
Superficie display	Antiriflesso
Pixel per pollice	91.8
Proporzioni	16:9
Risoluzione nativa	2560 x 1440 @ 240Hz
Tempo di risposta (MPRT)	1ms
Tempo di risposta (GtG)	5ms
Colori schermo	16.7M di colori (RGB a 8 bit)
Tecnologia pannello	IPS con tecnologia Quantum Dot
Flicker-free	Sì
Angoli di visualizzazione	178° (H) / 178° (V)
Luminosità massima	400 nit (SDR) / 600 nit (HDR)
Rapporto contrasto statico	1000:1
Certificazione HDR	VESA DisplayHDR 600
Gamut colore (CIE 1976)	98% (DCI-P3), 100% (AdobeRGB), 100% (sRGB)
Frequenza di aggiornamento variabile	Certificazione AMD FreeSync Premium, compatibilità con NVIDIA G-Sync
Ingresso HDMI	2 porta HDMI 2.0
Ingresso DisplayPort	1 porta DisplayPort 1.4
Ingresso USB-C	1 porta DisplayPort 1.4 (modalità Alt USB-C), erogazione di potenza da 15 W, USB Data Upstream da 5 Gbps
Ingresso USB-C upstream	1 porta USB-C da 5 Gbps
Uscita USB-A	2 porte USB Type-A da 5 Gbps (5V/0.9A *2)
Audio da 3,5mm	Sì, pass-through da ingresso video

APPENDICE

SPECIFICHE TECNICHE

Consumo energetico (acceso)	40W
Consumo energetico (sospensione)	<0.5W
Consumo energetico (spento)	<0.3W
Compatibilità VESA	100mm x 100mm
Dimensioni	732mm x 553mm x 270mm (W x H x D)
Peso	8.4kg
Inclinazione supporto	-5° / +20°
Rotazione supporto	-30° / +30°
Intervallo di regolazione altezza supporto	68mm
Adattatore AC	150W
	Nota: il dispositivo richiede i seguenti alimentatori: Asian Power Devices Inc. / DA-150E19

MODALITÀ DI VISUALIZZAZIONE SUPPORTATE

RISOLUZIONE		FREQUENZA DI AGGIORNAMENTO	HDMI	DP/TYPE-C
640x480	VGA	60Hz	V	V
		67Hz	V	V
		72Hz	V	V
		75Hz	V	V
800x600	SVGA	56Hz	V	V
		60Hz	V	V
		72Hz	V	V
		75Hz	V	V
1024x768	XGA	60Hz	V	V
		70Hz	V	V
		75Hz	V	V

APPENDICE

MODALITÀ DI VISUALIZZAZIONE SUPPORTATE

RISOLUZIONE		FREQUENZA DI AGGIORNAMENTO	HDMI	DP/TYPE-C
1280x1024	SXGA	60Hz	V	V
		75Hz	V	V
1440x900	WXGA+	60Hz	V	V
1680x1050	WSXGA+	60Hz	V	V
1920x1080	FHD	60Hz	V	V
		144Hz		V
		165Hz		V
2560x1440	QHD	60Hz	V	V
		120Hz	V	V
		144Hz	V	V
		165Hz		V
		180Hz		V
		240Hz		V
480P	60Hz	V	V	
576P	50Hz	V	V	
720P	50Hz	V	V	
	60Hz	V	V	
	120Hz	V	V	
1080P	60Hz	V	V	
	120Hz	V	V	
2160P	30Hz	V	V	
	60Hz	V	V	

NOTE LEGALI HDMI

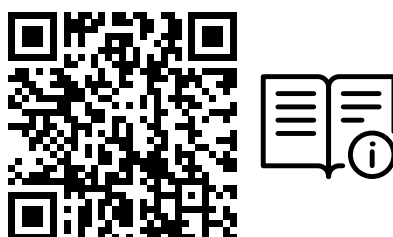


HDMI

I termini HDMI, HDMI High-Definition Multimedia Interface, HDMI Trade dress e i loghi HDMI sono marchi commerciali o marchi commerciali registrati di HDMI Licensing Administrator, Inc.

ÍNDICE

PRECAUCIONES	2
CONTENIDO DEL PAQUETE	3
MONTAJE	4
AJUSTE DE LA INCLINACIÓN, EL GIRO Y LA ALTURA	5
GESTIÓN DE CABLES, SOPORTE DE MONTAJE DE LA CÁMARA (OPCIONAL) Y OTRAS OPCIONES DE MONTAJE	6
CONECTIVIDAD	8
FUNCIONAMIENTO	9
CONTROLES	9
VISUALIZACIÓN EN PANTALLA (OSD)	9
OSD – AJUSTES DE IMAGEN	10
OSD – CONFIGURACIÓN DE OSD	12
OSD – CONFIGURACIÓN DEL SISTEMA	13
OSD – AUDIO	15
OSD – SELECCIÓN DE ENTRADA	16
OSD – INFORMACIÓN	17
PREGUNTAS FRECUENTES SOLUCIÓN DE PROBLEMAS	18
APÉNDICE	21
ESPECIFICACIONES TÉCNICAS	21
MODOS DE VISUALIZACIÓN ADMITIDOS	22
AVISO LEGAL SOBRE HDMI	24



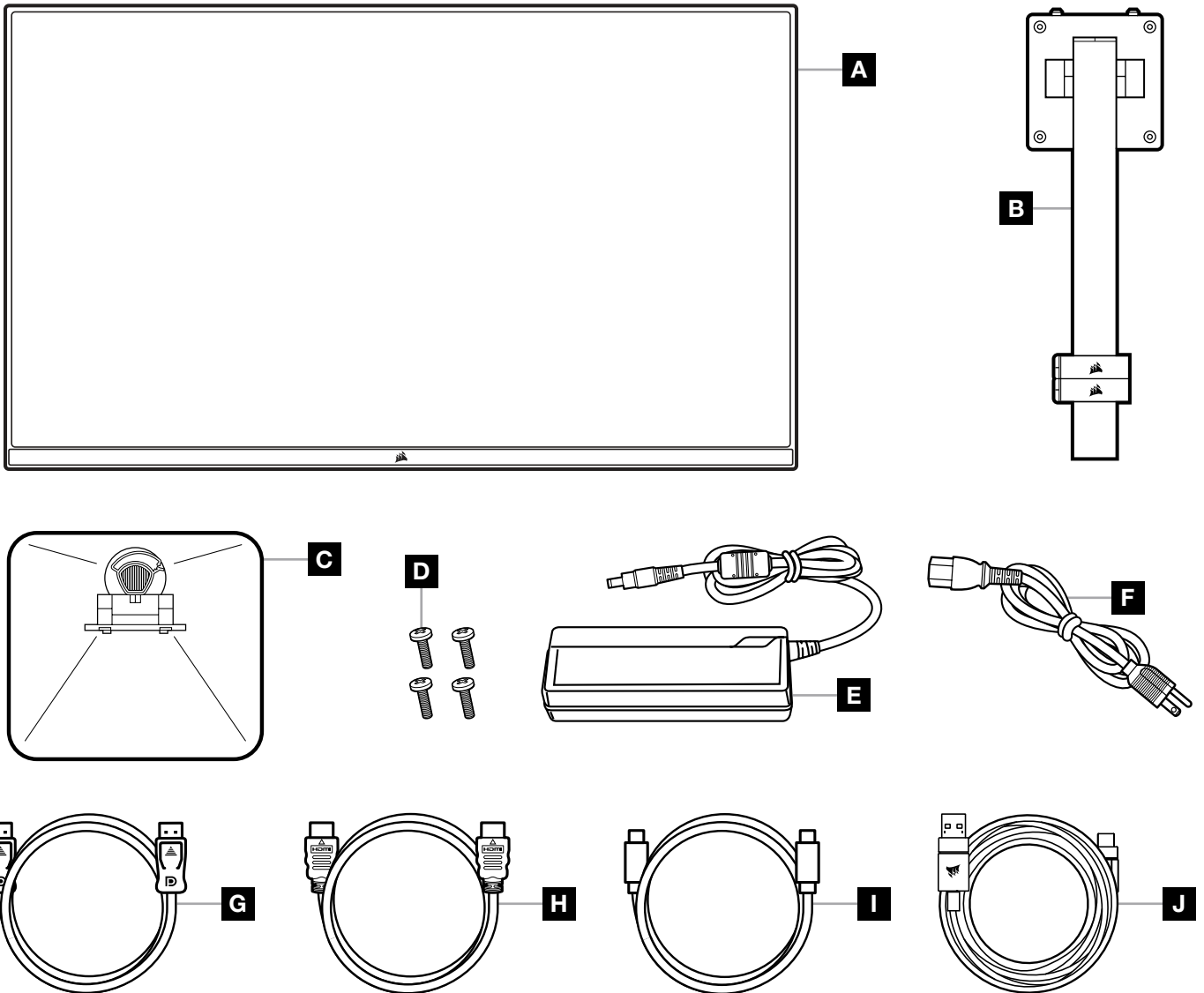
Escanee el código QR para acceder a la guía de inicio rápido y a los vídeos de configuración

Puede encontrar la configuración del producto, la información del usuario y la política de garantía/píxeles muertos en <https://qsg.corsair.com/xeneon-monitors>

PRECAUCIONES

- Utilice únicamente los accesorios suministrados con el monitor o los recomendados por el fabricante.
- Guarde la bolsa de plástico del envase del producto en un lugar que no puedan alcanzar los niños.
- Antes de conectar el monitor a la toma de corriente, asegúrese de que la tensión del cable de alimentación es compatible con las especificaciones de alimentación del país en el que se encuentra.
- La clavija del cable de alimentación debe conectarse a una toma de corriente debidamente cableada y con conexión a tierra.
- No toque la clavija con las manos mojadas, ya que, de lo contrario, puede producirse fácilmente una descarga eléctrica.
- Coloque el monitor en un lugar estable y bien ventilado.
- No coloque el monitor cerca de fuentes de calor como radiadores eléctricos o la luz solar directa.
- Los agujeros o aberturas del monitor son para la ventilación. No cubra ni bloquee los orificios de ventilación con ningún objeto.
- No utilice el monitor cerca de agua, bebidas o ningún tipo de líquido. No hacerlo así puede provocar una descarga eléctrica o dañar el monitor.
- Asegúrese de desenchufar el monitor de la toma de corriente antes de limpiarlo.
- Dado que la superficie de la pantalla es fácil de rayar, evite tocar la superficie con cualquier objeto duro o afilado. Utilice un paño suave sin pelusa en lugar de un pañuelo de papel para limpiar la pantalla. Puede utilizar un limpiacristales para limpiar el equipo en caso necesario. No obstante, nunca rocíe la pantalla directamente con el rociador.
- Desconecte el cable de alimentación si el equipo no se va a utilizar durante un largo periodo de tiempo.
- No intente desmontar ni reparar el monitor usted mismo.

CONTENIDO DEL MONITOR XENEON 32QHD240



A PANEL DEL MONITOR XENEON 32QHD240

B BARRA DE MONTAJE (SOLO PARA EL CM-9020002)

C SOPORTE (SOLO PARA EL CM-9020002)

D TORNILLOS DE MONTAJE (4)

E ADAPTADOR DE CA

F CABLE DE ALIMENTACIÓN DE CA

G CABLE DISPLAYPORT (1,5M)

H CABLE HDMI (1,5M)

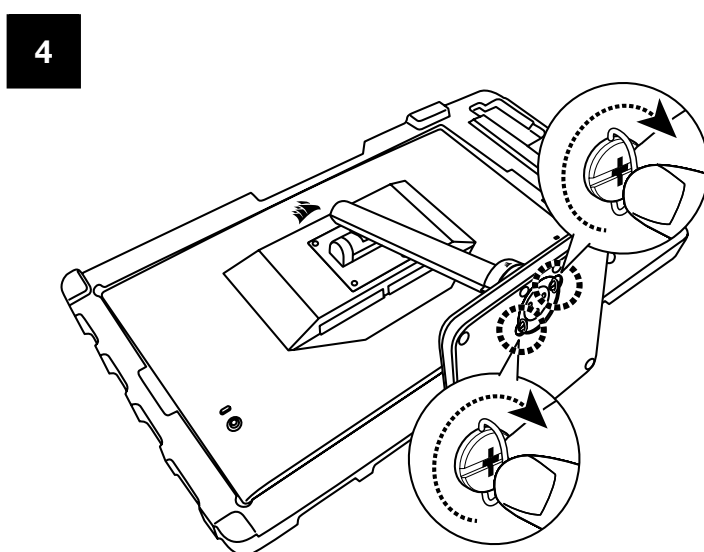
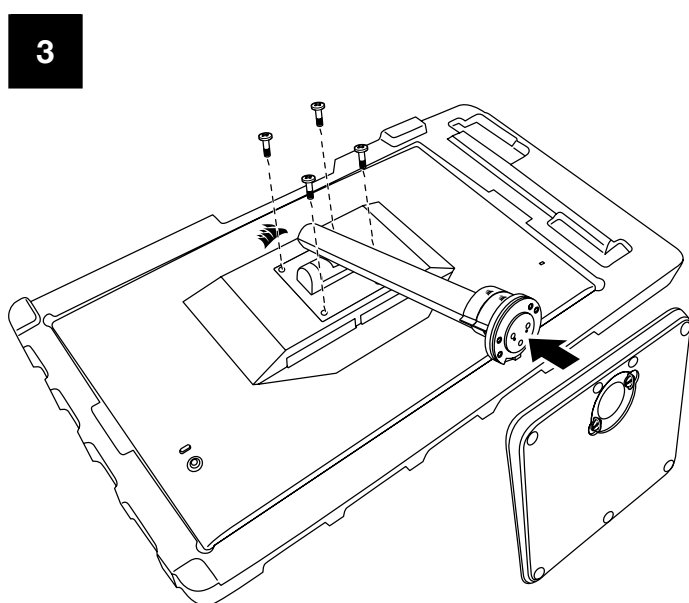
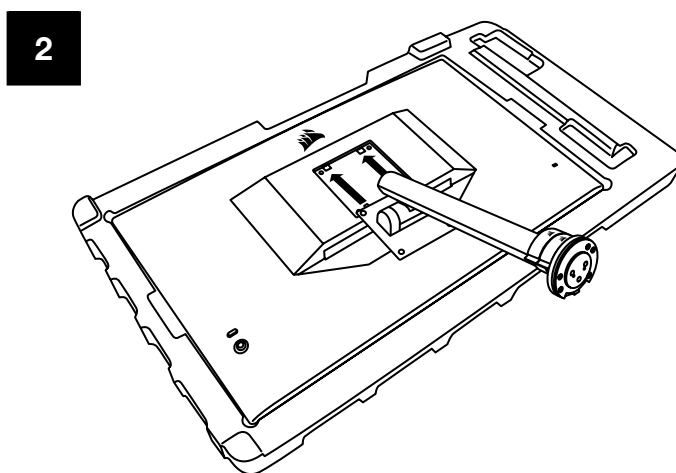
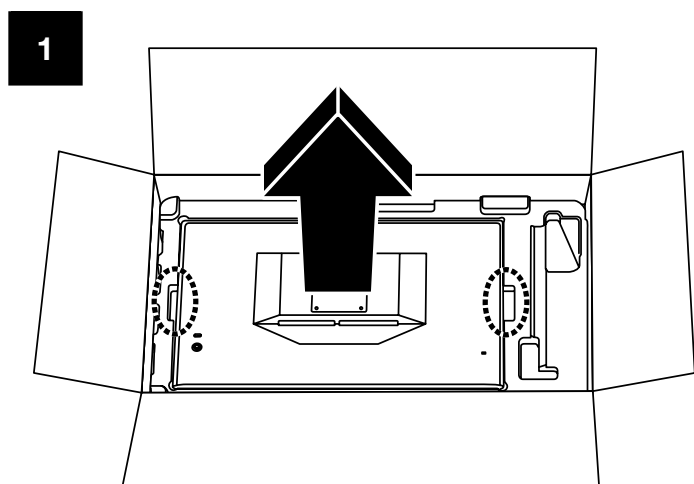
I CABLE USB-C (1,5M)

J CABLE USB-A A USB-C (1,8M)

MONTAJE (SOLO PARA EL CM-9020002)

Antes de empezar, necesitará un destornillador de estrella.

1. Retire la capa superior de espuma que incluye los accesorios y el soporte para dejar descubierta la parte trasera del panel.
2. Abra con cuidado la bolsa de espuma que cubre el panel (imagen 1) para dejar al descubierto la zona de montaje. No retire el panel de la bolsa.
3. Alinee el poste del monitor con las ranuras de montaje de la parte posterior del panel (imagen 2). Deslice los ganchos superiores en las ranuras de montaje de la parte trasera del panel. Con un destornillador de estrella, fije el poste al panel con los 4 tornillos (véase la imagen 3).
4. Fije la base del soporte al poste del monitor (imagen 3) y apriete el tornillo cautivo en la parte inferior del poste (imagen 4).
5. Retire lentamente el monitor del embalaje y colóquelo en posición vertical sobre su escritorio. No toque la parte frontal del panel mientras levanta el monitor.



AJUSTE DE LA INCLINACIÓN, EL GIRO Y LA ALTURA (SOLO PARA EL MODELO CM-9020002)

Su monitor Xeneon cuenta con un soporte robusto y elegante que ofrece ajuste de inclinación, giro y altura.

- Inclinación -5/+20 grados
- Giro \pm 30 grados
- Rango de ajuste de altura, 68mm

INCLINACIÓN



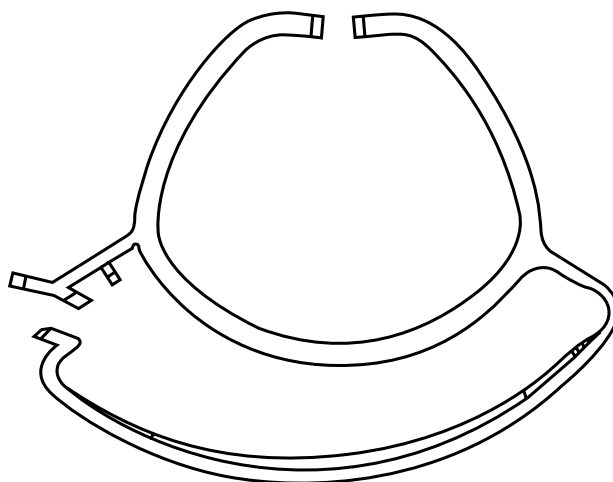
AJUSTE DE LA ALTURA Y EL GIRO



GESTIÓN DEL CABLEADO RAPIDROUTE (SOLO PARA EL MODELO CM-9020002)



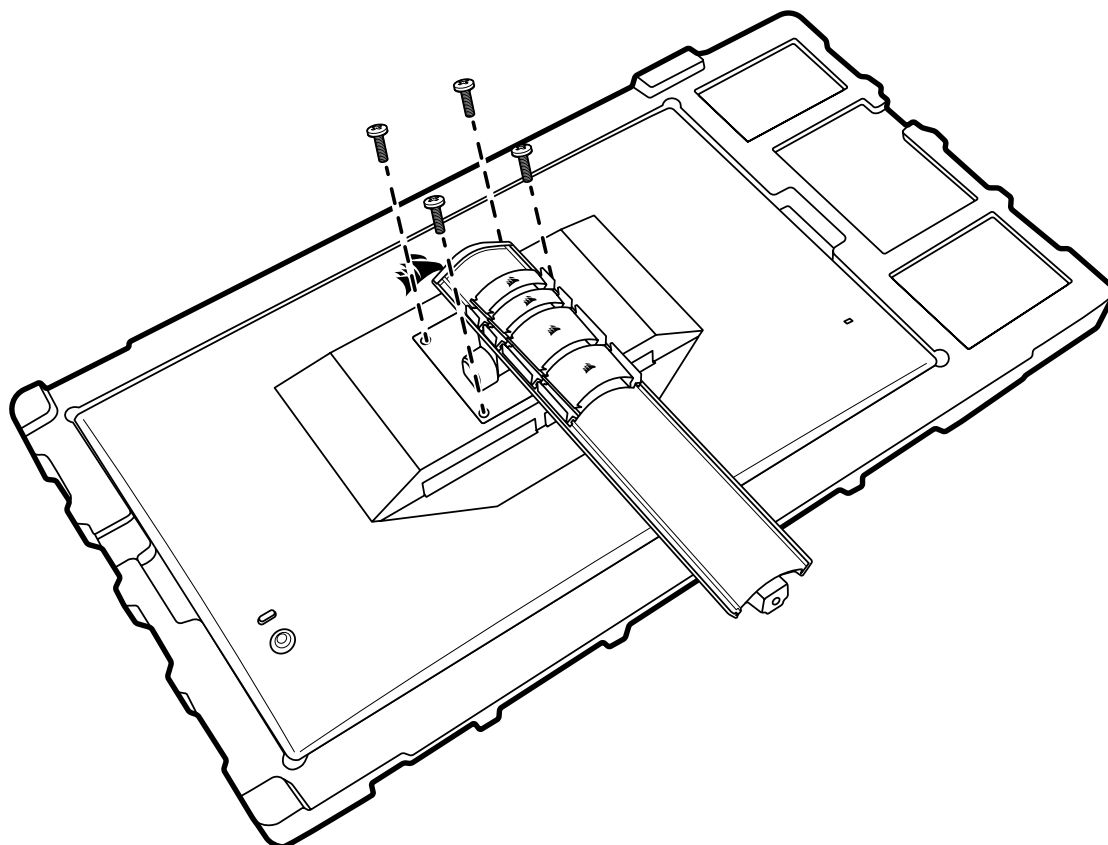
Su pantalla Xeneon incorpora la distribución de cables RapidRoute para mantener el escritorio ordenado. Hay dos pinzas ajustables para cables que se deslizan verticalmente por el poste del monitor y le permiten distribuir el cableado según sus necesidades. Abra cada pinza de cables presionando el cierre con el pulgar hacia la izquierda y tirando hacia fuera de la misma.



COMPATIBILIDAD CON SOPORTES DE PARED

Antes de montar su pantalla con un soporte de pared compatible (VESA 100 x 100mm), asegúrese de que:

- Ha retirado el soporte del monitor con un destornillador de estrella
- El soporte de pared que ha comprado soporta el peso de este monitor

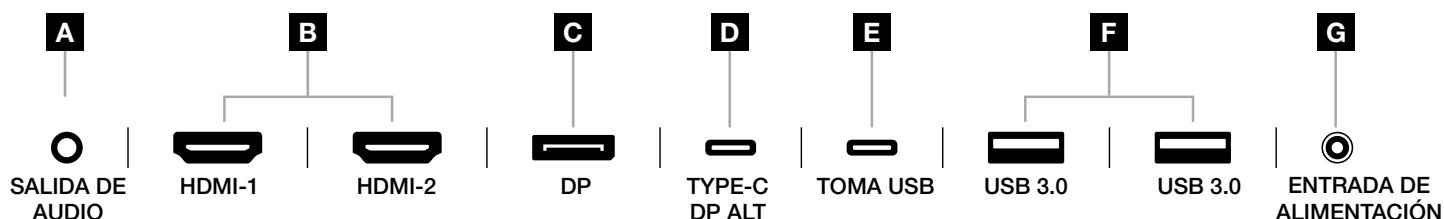


Revise las instrucciones de su soporte de pared para obtener más información sobre cómo montar el monitor correctamente.

ADVERTENCIA: El monitor tiene cuatro orificios de montaje VESA en la parte posterior. Debe fijar el soporte de pared utilizando los cuatro agujeros. Si no utiliza los cuatro agujeros, el monitor puede caerse y causar daños materiales o lesiones.

Nota: Los tornillos de montaje en la pared no están incluidos. Tornillos: tipo M4, 14 a 16mm de longitud dependiendo del soporte de pared

CONECTIVIDAD



- A. Toma de audio de 3,5mm**
Salida de audio de los dispositivos conectados HDMI, DisplayPort y USB-C en modo alternativo.
- B. Puertos HDMI 2.0**
Las entradas HDMI duales corresponden a las entradas «HDMI1» y «HDMI2».
- C. Puerto DisplayPort 1.4**
La entrada DisplayPort corresponde a la entrada «DisplayPort».
- D. Puerto USB Type-C**
Es compatible con DisplayPort (modo alternativo) y entrada USB de subida (se conecta a puertos USB 3.0). Corresponde a la entrada TYPE-C. Este puerto, o bien el puerto de subida, debe conectarse a un puerto apto para USB en su dispositivo host para admitir la funcionalidad CORSAIR iCUE y los puertos USB 3.0 de bajada.
- E. Puerto de entrada USB**
Puerto de entrada USB de subida. Este puerto, o bien el puerto Type-C, debe conectarse a un puerto apto para USB en su dispositivo host para admitir la funcionalidad CORSAIR iCUE y los puertos USB 3.0 de bajada.
- F. Puertos USB 3.0**
Puertos USB Type-A duales a 5 Gb/s.
- G. Entrada de alimentación**
Se conecta al adaptador de CA incluido.

FUNCIONAMIENTO

CONTROLES

 — ENCENDIDO Y APAGADO

 — PULSAR: Abre los ajustes de la pantalla

ARRIBA: Abre el regulador de brillo
 ABAJO: Abre la selección del modo Imagen
 IZQUIERDA: Abre el regulador de volumen
 DERECHA: Abre la selección de la fuente de entrada



Su monitor incluye una pequeña palanca en la parte trasera, situada a la derecha, para abrir accesos directos y navegar por los ajustes de la pantalla. Tenga en cuenta que buena parte de esos ajustes también pueden controlarse mediante el software CORSAIR iCUE si dispone de un concentrador USB conectado a su ordenador a través del puerto de entrada de USB.

Instale la última versión de iCUE (4.24 o posterior) disponible en <https://www.corsair.com/us/en/icue>.

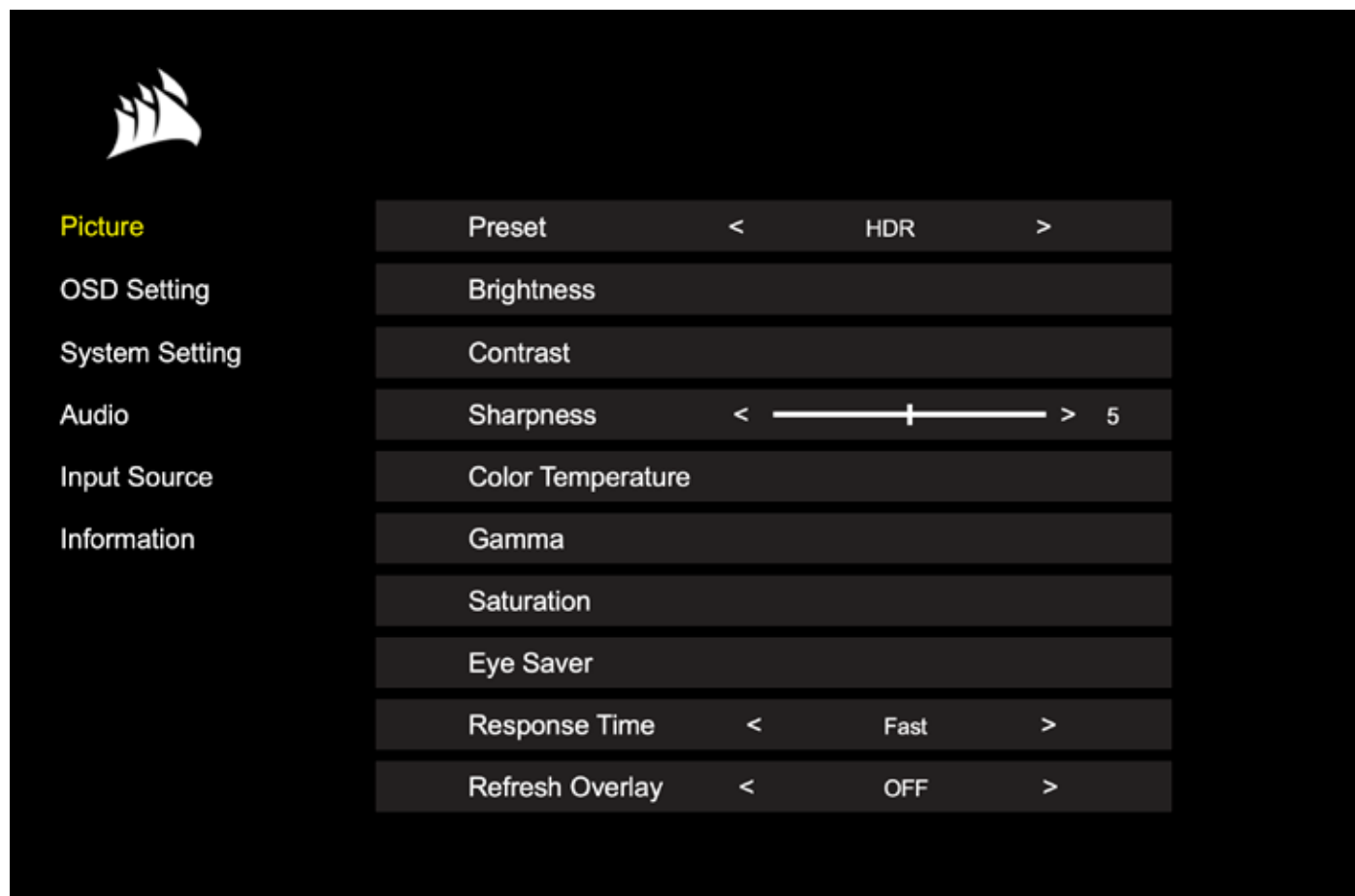
VISUALIZACIÓN EN PANTALLA (OSD)

Al pulsar la palanca hacia dentro, puede acceder a los ajustes de pantalla del monitor. Puede utilizar la palanca para navegar por los ajustes; si la pulsa hacia dentro, se confirmará su selección.

FUNCIONAMIENTO

OSD – AJUSTES DE IMAGEN

El primer menú, denominado «Imagen», contiene los siguientes ajustes para configurar la calidad global de la imagen.



FUNCIONAMIENTO

OSD – AJUSTES DE IMAGEN

CONFIGURACIÓN	OPCIONES	DESCRIPCIÓN
Modo Imagen	Estándar	Selecciona un ajuste predefinido de fábrica del monitor calibrado para el uso general y el máximo ahorro energético
	Película	Selecciona un ajuste predefinido optimizado para ver películas
	Texto	Selecciona un ajuste predefinido optimizado para leer textos
	sRGB	Selecciona un ajuste predefinido de fábrica calibrado para el espacio de color sRGB
	Creativo	Selecciona un ajuste predefinido de fábrica calibrado para tareas de creación de contenido
	Juego	Selecciona un ajuste predefinido optimizado para jugar a juegos de acción rápida
	DCI-P3	Selecciona un ajuste preestablecido de pantalla optimizado para contenido HDR en el espacio de color DCI-P3
	AdobeRGB	Selecciona un ajuste preestablecido de pantalla optimizado para contenido HDR en el espacio de color AdobeRGB
	HDR	Muestra HDR cuando el modo HDR está seleccionado en su sistema operativo
Brillo	0-100	Ajusta la intensidad de la retroiluminación de la pantalla
Contraste	0-100	Ajusta el contraste de la pantalla
Nitidez	0-10	Ajusta el filtro de nitidez de la pantalla, aumentando el nivel de detalle de los bordes
Temperatura de color	Frío	Fija la temperatura de color de la pantalla en 9300K
	Normal	Fija la temperatura de color de la pantalla en 6500K (estándar)
	Cálido	Fija la temperatura de color de la pantalla en 5000K
	Personalizado	Le permite fijar manualmente la temperatura de color del monitor con reguladores que controlan los niveles de rojo, azul y verde
Gamma	2.0, 2.2, 2.4	Ajusta la relación entre color y brillo; la opción predeterminada es 2.2
Saturación	0-10	Ajusta la intensidad de los colores de la pantalla
Descanso visual	Encendido o apagado (ON/OFF)	Reduce las emisiones de luz azul de la pantalla cuando se activa
Tiempo de respuesta	Normal, rápido, más rápido, máxima velocidad, OD dinámico	Le permite aumentar la velocidad a la que los píxeles pueden pasar de un color a otro, lo que puede reducir el desenfoco de los objetos que se mueven a gran velocidad
Superp. actualiz.	Encendido o apagado (ON/OFF)	Activa una superposición en la esquina superior derecha que muestra la frecuencia de actualización del monitor en ese momento, útil para hacer el seguimiento de los fotogramas por segundo cuando Adaptive Sync está activado
MPRT	Encendido o apagado (ON/OFF)	Activa el ajuste «Tiempo de respuesta de imagen en movimiento», que puede reducir el desenfoco de los objetos en movimiento cuando se fija como «Encendido»
Atenuación local	Encendido o apagado (ON/OFF)	Permite apagar partes específicas de la retroiluminación para obtener negros más profundos y una mejor relación de contraste
Punto de mira	Apagado, Dot, Punto de mira, Ángulo	Activa la función de Punto de mira

FUNCIONAMIENTO

OSD – CONFIGURACIÓN DE OSD

El segundo menú, denominado «Configuración de OSD», contiene los siguientes ajustes para configurar la visualización en pantalla.

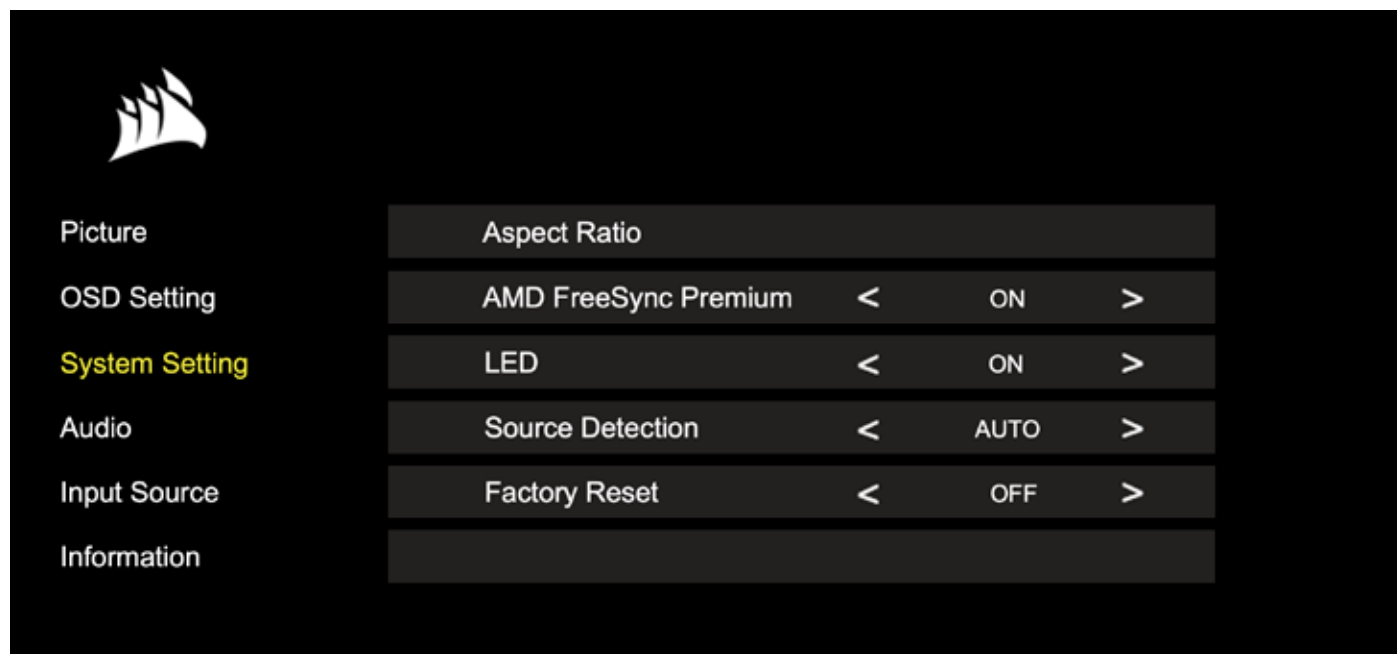


AJUSTE	OPCIONES	DESCRIPCIÓN
Idioma	English Français Deutsch Italiano Español Português Русский 繁體中文 日本語 한국어	Selecciona el idioma de OSD
Transparencia	Encendido o apagado (ON/OFF)	Selecciona si OSD es transparente u opaca
Tiempo máximo	10-60	Ajusta el tiempo (en segundos) que OSD permanece en pantalla antes de desaparecer

FUNCIONAMIENTO

OSD – CONFIGURACIÓN DEL SISTEMA

El tercer menú, denominado «Configuración del sistema», contiene los siguientes ajustes para configurar los valores internos del monitor.



FUNCIONAMIENTO

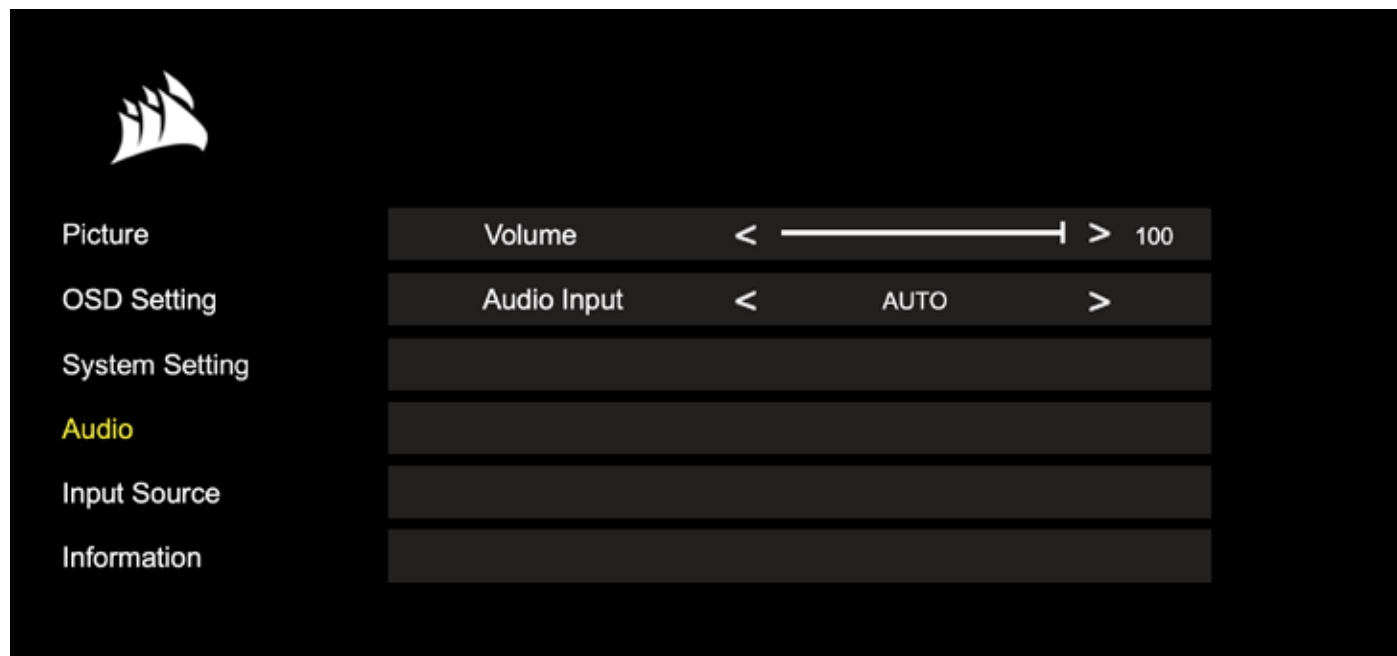
OSD – CONFIGURACIÓN DEL SISTEMA

AJUSTE	OPCIONES	DESCRIPCIÓN
Relación de aspecto	Auto, 4:3, 16:9	Selecciona la relación de aspecto de la pantalla. «Auto» tratará de hacer coincidir la relación de aspecto de la pantalla con la señal de vídeo entrante. No disponible con el sistema Adaptive Sync activado
AMD FreeSync Premium	Encendido o apagado (ON/OFF)	<p>Activa o desactiva la función Adaptive Sync cuando se conecta a una GPU compatible. Seleccione ON para activar Adaptive Sync para AMD FreeSync a través de HDMI</p> <p>La compatibilidad con NVIDIA G-Sync está disponible cuando se conecta mediante un cable DP o un cable USB Type-C en modo alternativo a una GPU compatible. Para la funcionalidad NVIDIA G-Sync:</p> <ul style="list-style-type: none"> • Instale/abra el panel de control de NVIDIA • Seleccione Configurar G-Sync • Seleccione la casilla Habilitar compatibilidad con G-Sync • Seleccione 32QHD240/RDD0020 • Seleccione la casilla Activar la configuración del modelo de pantalla seleccionado <p>Puede que sea necesario reiniciar el sistema para acceder a la configuración de NVIDIA</p>
LED	Encendido o apagado (ON/OFF)	Selecciona la activación o desactivación del indicador LED de alimentación delantero
Detección de fuente	AUTO o MANUAL	Determina si la pantalla cambia automáticamente a una entrada diferente al detectar una señal o si debe cambiar la entrada de forma manual
USB-C en modo alternativo Alt (solo presente cuando la pantalla se conecta a través del puerto de vídeo USB-C)	4 líneas 2 líneas	<p>Activa el número de líneas USB que se usarán en el puerto USB-C para vídeo</p> <ul style="list-style-type: none"> • El modo de 4 líneas permite una resolución de hasta 2560x1440@240Hz, pero reduce la velocidad de los puertos USB Type-A a USB 2.0 • El modo de 2 líneas permite hasta 2560x1440@120Hz pero habilita el USB Type-A a velocidad USB 3.0
Valores de fábrica	Encendido o apagado (ON/OFF)	Restablece todos los ajustes del monitor a los valores predeterminados de fábrica

FUNCIONAMIENTO

OSD – AUDIO

El cuarto menú, denominado «Audio», le permite controlar el audio de la pantalla.

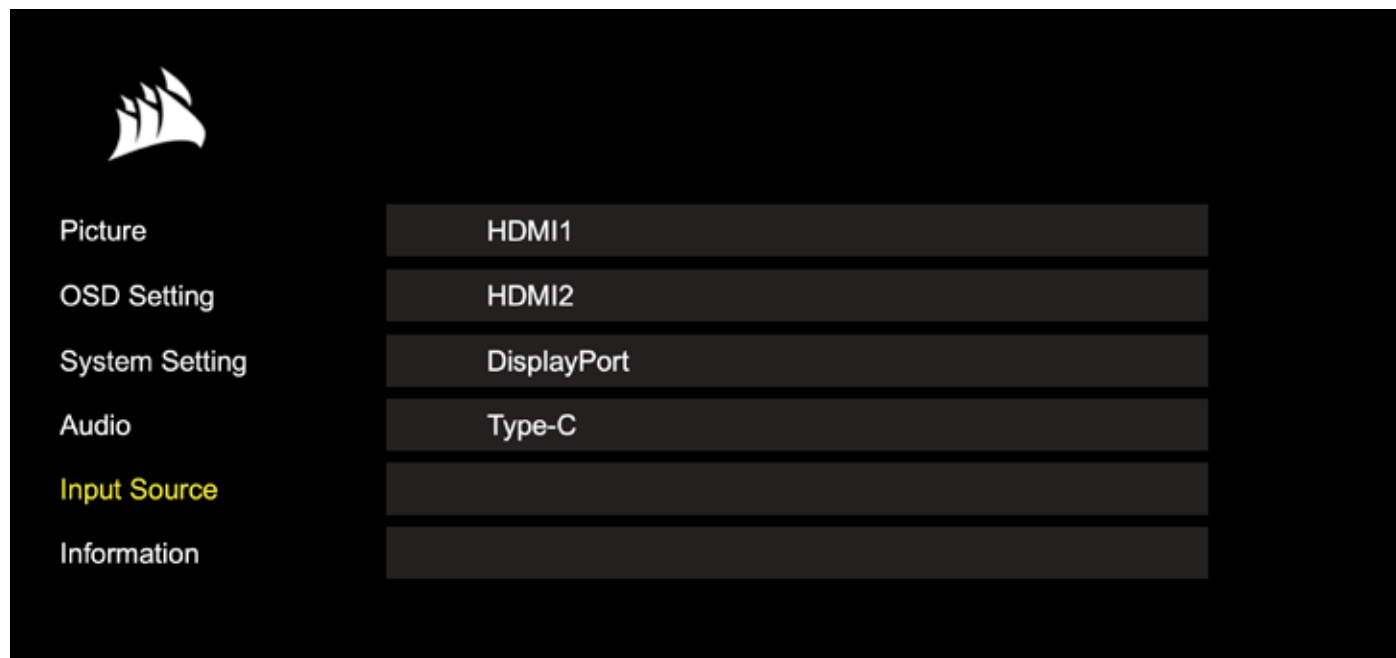


AJUSTE	OPCIONES	DESCRIPCIÓN
Volumen	0-100	Ajusta el volumen de la salida de audio desde la toma de auriculares
Entrada de audio	Auto, HDMI-1, HDMI-2, DisplayPort, USB Type-C	Selecciona desde qué entrada dirige el monitor el audio hacia la toma de auriculares. «Auto» utilizará la entrada actual

FUNCIONAMIENTO

OSD – SELECCIÓN DE ENTRADA

El quinto menú, denominado «Selección de entrada», le permite cambiar entre las diferentes entradas de la pantalla.

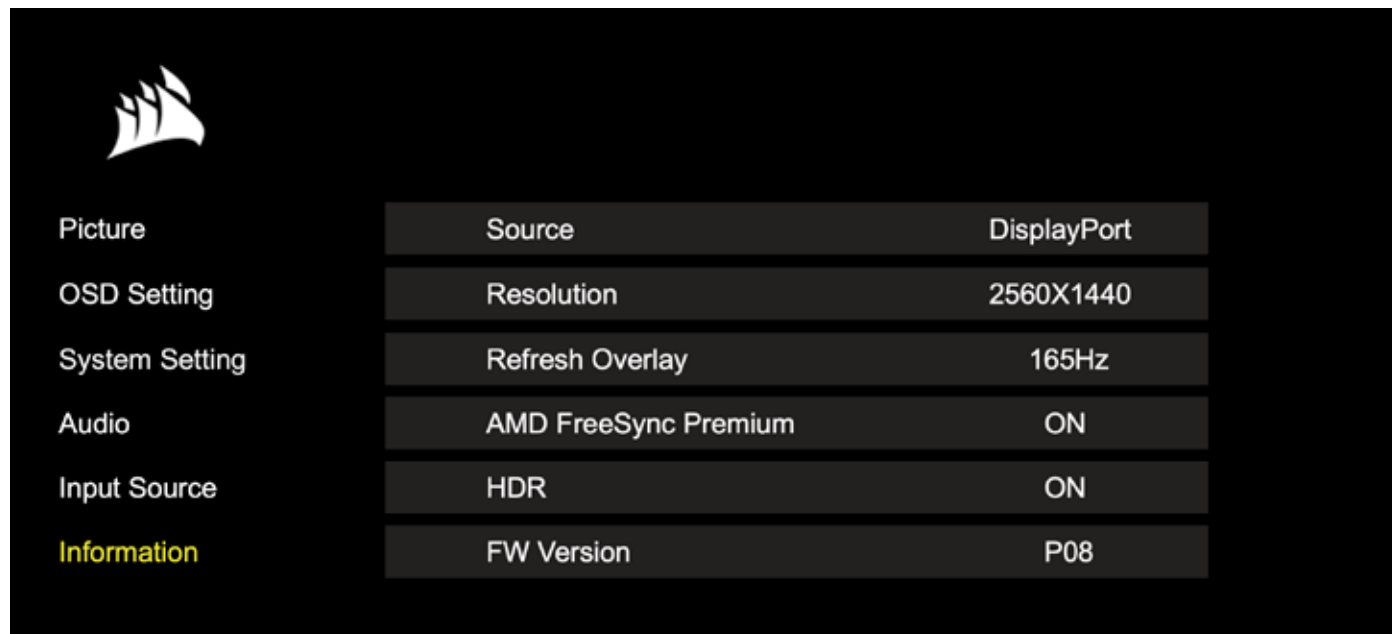


AJUSTE	DESCRIPCIÓN
HDMI-1	Cambia al dispositivo conectado al puerto HDMI-1
HDMI-2	Cambia al dispositivo conectado al puerto HDMI-2
DisplayPort	Cambia al dispositivo conectado al puerto DisplayPort «DP»
TYPE-C	Cambia al dispositivo conectado al puerto TYPE-C

FUNCIONAMIENTO

OSD – INFORMACIÓN

Proporciona el estado de la configuración actual de las funciones clave.



AJUSTE	DESCRIPCIÓN
Fuente	Muestra la fuente de entrada actual
Resolución	Muestra la resolución de pantalla actual
Superp. actualiz.	Muestra la frecuencia de actualización actual
AMD FreeSync Premium	Estado de AMD FreeSync Premium
HDR	Estado de HDR
Versión de firmware	Muestra la versión actual de FW

FUNCIONAMIENTO

PREGUNTAS FRECUENTES SOBRE EL MONITOR PARA JUEGOS CORSAIR XENEON 32QHD240

PREGUNTA	PREGUNTA																						
LED de alimentación apagado	Pulse el botón de encendido situado en la parte posterior de su monitor para comprobar si está en la posición de encendido.																						
	Compruebe si el cable de alimentación está bien conectado al monitor, así como el adaptador de corriente.																						
	Compruebe que el LED de alimentación del menú de configuración del sistema OSD esté activado.																						
No hay imagen en la pantalla	Compruebe si el monitor está encendido.																						
	Compruebe si el cable de vídeo está bien conectado al monitor y al dispositivo de origen.																						
	Compruebe la calidad del cable de vídeo y asegúrese de que no está dañado. Evite utilizar cables y alargadores de vídeo de baja calidad.																						
	Compruebe en qué entrada de vídeo está configurado su monitor (si la función de fuente automática está desactivada en el OSD).																						
	Conecte otro dispositivo fuente para probar la entrada de vídeo del monitor.																						
	Conecte el dispositivo fuente a otro monitor disponible para probar la salida de vídeo.																						
	Evite conectar el monitor en caliente. Tenga el monitor conectado a la fuente antes de encender el dispositivo fuente.																						
Imagen demasiado clara/oscura	Ajuste la configuración de brillo/gama/contraste a través del OSD.																						
	Restablezca la configuración de fábrica del monitor.																						
Señal de vídeo no compatible	Compruebe la configuración de salida de vídeo del dispositivo de origen. Las resoluciones de entrada compatibles con el monitor para juegos CORSAIR XENEON 32QHD240 son:																						
	<table border="1"> <thead> <tr> <th>RESOLUCIÓN</th> <th>FRECUENCIA DE ACTUALIZACIÓN</th> </tr> </thead> <tbody> <tr> <td>640x480</td> <td>60, 67, 72, 75Hz</td> </tr> <tr> <td>800x600</td> <td>56, 60, 72, 75Hz</td> </tr> <tr> <td>1024x768</td> <td>60, 70, 75Hz</td> </tr> <tr> <td>1280x1024</td> <td>60, 75Hz</td> </tr> <tr> <td>1440x900</td> <td>60Hz</td> </tr> <tr> <td>1680x1050</td> <td>60Hz</td> </tr> <tr> <td rowspan="2">1920x1080</td> <td>60Hz</td> </tr> <tr> <td>144, 165Hz (DP, Type-C)</td> </tr> <tr> <td rowspan="2">2560x1440</td> <td>60, 120, 144Hz</td> </tr> <tr> <td>165, 180, 240Hz (DP, Type-C)</td> </tr> <tr> <td>3840x2160</td> <td>30, 60Hz (para soporte de consola reducida)</td> </tr> </tbody> </table>	RESOLUCIÓN	FRECUENCIA DE ACTUALIZACIÓN	640x480	60, 67, 72, 75Hz	800x600	56, 60, 72, 75Hz	1024x768	60, 70, 75Hz	1280x1024	60, 75Hz	1440x900	60Hz	1680x1050	60Hz	1920x1080	60Hz	144, 165Hz (DP, Type-C)	2560x1440	60, 120, 144Hz	165, 180, 240Hz (DP, Type-C)	3840x2160	30, 60Hz (para soporte de consola reducida)
	RESOLUCIÓN	FRECUENCIA DE ACTUALIZACIÓN																					
	640x480	60, 67, 72, 75Hz																					
	800x600	56, 60, 72, 75Hz																					
	1024x768	60, 70, 75Hz																					
	1280x1024	60, 75Hz																					
	1440x900	60Hz																					
	1680x1050	60Hz																					
	1920x1080	60Hz																					
		144, 165Hz (DP, Type-C)																					
2560x1440	60, 120, 144Hz																						
	165, 180, 240Hz (DP, Type-C)																						
3840x2160	30, 60Hz (para soporte de consola reducida)																						

FUNCIONAMIENTO

PREGUNTAS FRECUENTES SOBRE EL MONITOR PARA JUEGOS CORSAIR XENEON 32QHD240

PREGUNTA	PREGUNTA
¿Es el CORSAIR XENEON 32QHD240 compatible con vídeo a través de USB-C?	Sí, el CORSAIR XENEON 32QHD240 es compatible con DisplayPort por USB-C a través de la entrada dedicada DP TYPE-C ALT. Utilice el cable Type-C de 1,5 m incluido o un cable USB Type-C de calidad compatible con USB 3.2 Gen 2 para obtener los mejores resultados.
No puedo utilizar los dispositivos conectados a los puertos USB-A de mi monitor cuando lo conecto a mi dispositivo compatible con USB-C en modo alternativo utilizando un único cable USB-C	El modo alternativo USB-C está establecido por defecto en 4 líneas, lo que permite la resolución completa de DisplayPort a través de USB-C. Sin embargo, esto desactiva el uso de los puertos USB Type-A. Para volver a habilitar los puertos USB Type-A cuando se conectan únicamente a través de la entrada DP TYPE-C ALT, cambie a 2 líneas, lo que limitará la resolución de salida de vídeo admitida para volver a habilitar los puertos USB Type-A para los periféricos conectados a los puertos USB Type-A del monitor. Como alternativa, puede conectar el dispositivo fuente al puerto USB de bajada, así como al puerto DP TYPE-C ALT para obtener una resolución de vídeo completa y la funcionalidad del puerto USB. Asegúrese de utilizar un cable USB Type-C de calidad compatible con USB 3.2 Gen 2 para obtener los mejores resultados.
La imagen está estirada/comprimida	Compruebe la «Relación de aspecto» en «Configuración del sistema». El valor predeterminado es «Auto», aunque, en algunos casos, puede ser necesario establecer manualmente una relación de aspecto (p. ej., ciertas combinaciones de adaptadores y consolas de juegos vintage).
La imagen tiene problemas de color	Compruebe la calidad del cable de vídeo y asegúrese de que no está dañado. Evite utilizar cables y alargadores de vídeo de baja calidad.
	Restablezca la configuración de fábrica del monitor.
	Ajuste la configuración de la imagen a través del OSD.
Artefactos en la imagen en pantalla	Compruebe la calidad del cable de vídeo y asegúrese de que no está dañado.
	Compruebe su dispositivo de origen, ya que una tarjeta gráfica o consola de juegos defectuosa puede requerir que se ponga en contacto con el fabricante para obtener ayuda.
El monitor tiene un píxel muerto	CORSAIR tiene una política de «cero píxeles muertos» para sus monitores. Si se encuentran uno o más píxeles brillantes o seis o más subpíxeles oscuros, el monitor se sustituye durante el período de garantía de 3 años.
¿Qué tipos de soporte VESA son compatibles?	CORSAIR XENEON 32QHD240 es compatible con soportes estándar de 100 x 100mm; el cabezal del monitor debe retirarse del soporte. Utilice los tornillos de montaje incluidos con el soporte VESA.

FUNCIONAMIENTO

PREGUNTAS FRECUENTES SOBRE EL MONITOR PARA JUEGOS CORSAIR XENEON 32QHD240

PREGUNTA	RESPUESTA
¿Puedo montar una cámara web o una cámara DSLR/sin espejo?	El CORSAIR XENEON 32QHD240 es compatible con las cámaras web estándar que se acoplan en el bisel superior de la pantalla.
CORSAIR iCUE no detecta mi monitor CORSAIR XENEON	Compruebe que su PC tenga instalada la última versión de CORSAIR iCUE. EL CORSAIR XENEON 32QHD240 es compatible con la versión de iCUE 4.24 o posterior.
	Compruebe que el cable conectado a la entrada USB-C de subida del monitor y el puerto USB 3.0 del PC estén bien conectados. Evite conectar el monitor a través de un concentrador o alargador de USB si es posible. Recomendamos encarecidamente utilizar el cable USB-C suministrado con el monitor CORSAIR XENEON para obtener los mejores resultados.
¿Qué opciones de frecuencia de actualización adaptativa tiene CORSAIR XENEON?	CORSAIR XENEON 32QHD240 está certificado para AMD FreeSync Premium y también es compatible con NVIDIA G-SYNC.
Las funciones AMD FreeSync/G-SYNC no están activadas	Compruebe que AMD FreeSync esté activado a través del OSD.
	Compruebe la configuración de su tarjeta gráfica y asegúrese de que AMD FreeSync / NVIDIA G-SYNC estén activados. AMD FreeSync funciona sobre cualquiera de los puertos de vídeo. La compatibilidad con NVIDIA G-Sync solo funciona a través de DP o DP USB Type-C en modo alternativo.
No consigo establecer la frecuencia de actualización nominal del monitor de 240Hz	Compruebe la configuración de su tarjeta gráfica/sistema de visualización y asegúrese de que esté activada la frecuencia de actualización de 240Hz. Consulte la tabla de modos de visualización admitidos en el apéndice para conocer las opciones disponibles.
	Compruebe la calidad del cable de vídeo y asegúrese de que no está dañado. Evite utilizar cables y alargadores de vídeo de baja calidad.

APÉNDICE

ESPECIFICACIONES TÉCNICAS

Nombre del producto	XENEON 32QHD240
Referencia	Con soporte CM-9020002-XX Sin soporte CM-9020004-XX
Dispositivo	RDD0020
ID de concentrador USB	CORSAIR USB 3.0 Hub
Tamaño del panel	32" en diagonal
Superficie de la pantalla	Sin reflejos
Píxeles por pulgada	91.8
Relación de aspecto	16:9
Resolución nativa	2560 x 1440 @ 240Hz
Tiempo de respuesta (MPRT)	1ms
Tiempo de respuesta (GtG)	5ms
Colores de la pantalla	16.7M de colores (RGB 8 bits)
Tecnología del panel	IPS con tecnología Quantum Dot
Sin parpadeo	Sí
Ángulos de visión	178° (H) / 178° (V)
Brillo máximo	400 nit (SDR) / 600 nit (HDR)
Índice de contraste estático	1000:1
Certificado HDR	VESA DisplayHDR 600
Gama de colores (CIE 1976)	98% (DCI-P3), 100% (AdobeRGB), 100% (sRGB)
Frecuencia de actualización variable	Certificación AMD FreeSync Premium, compatible con NVIDIA G-Sync
Entrada HDMI	2 HDMI 2.0
Entrada DisplayPort	1 DisplayPort 1.4
Entrada USB-C	1 DisplayPort 1.4 (USB-C en modo alt.), suministro de energía de 15 W, USB de subida de 5 Gbps
Entrada USB-C (subida)	1 5Gbps USB-C
Salida USB-A	2 USB Type-A de 5 Gbps (5V/0.9A *2)
Audio de 3,5mm	Sí, transferencia desde la entrada de vídeo

APÉNDICE

ESPECIFICACIONES TÉCNICAS

Consumo de energía (activo)	40W
Consumo de energía (en suspensión)	<0.5W
Consumo de energía (apagado)	<0.3W
Compatibilidad VESA	100mm x 100mm
Dimensiones	732mm x 553mm x 270mm (W x H x D)
Peso	8.4kg
Inclinación del soporte	-5° / +20°
Giro del soporte	-30° / +30°
Intervalo de ajuste de la altura del soporte	68mm
Adaptador de CA	150W
	Nota: Su dispositivo utiliza la fuente de alimentación Asian Power Devices Inc. / DA-150E19

MODOS DE VISUALIZACIÓN ADMITIDOS

RESOLUCIÓN		FRECUENCIA DE ACTUALIZACIÓN	HDMI	DP/TYPE-C
640x480	VGA	60Hz	V	V
		67Hz	V	V
		72Hz	V	V
		75Hz	V	V
800x600	SVGA	56Hz	V	V
		60Hz	V	V
		72Hz	V	V
		75Hz	V	V
1024x768	XGA	60Hz	V	V
		70Hz	V	V
		75Hz	V	V

APÉNDICE

MODOS DE VISUALIZACIÓN ADMITIDOS

RESOLUCIÓN		FRECUENCIA DE ACTUALIZACIÓN	HDMI	DP/TYPE-C
1280x1024	SXGA	60Hz	V	V
		75Hz	V	V
1440x900	WXGA+	60Hz	V	V
1680x1050	WSXGA+	60Hz	V	V
1920x1080	FHD	60Hz	V	V
		144Hz		V
		165Hz		V
2560x1440	QHD	60Hz	V	V
		120Hz	V	V
		144Hz	V	V
		165Hz		V
		180Hz		V
		240Hz		V
480P	60Hz	V	V	
576P	50Hz	V	V	
720P	50Hz	V	V	
	60Hz	V	V	
	120Hz	V	V	
1080P	60Hz	V	V	
	120Hz	V	V	
2160P	30Hz	V	V	
	60Hz	V	V	

AVISO LEGAL SOBRE HDMI

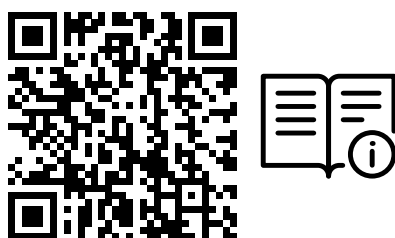


HDMI

Los términos HDMI, HDMI High-Definition Multimedia Interface (Interfaz multimedia de alta definición), HDMI Trade Dress (diseño e imagen comercial HDMI) y los logotipos HDMI son marcas comerciales o marcas registradas de HDMI Licensing Administrator, Inc.

ÍNDICE

PRECAUÇÕES	2
CONTEÚDO DA EMBALAGEM	3
MONTAGEM	4
AJUSTE DE INCLINAÇÃO, ARTICULAÇÃO E ALTURA	5
GESTÃO DE CABOS, SUPORTE PARA CÂMARA (OPCIONAL) E OUTRAS OPÇÕES DE MONTAGEM	6
CONNECTIVIDADE	8
OPERAÇÃO	9
CONTROLOS	9
VISUALIZAÇÃO NO ECRÃ (OSD)	9
OSD – DEFINIÇÕES DE IMAGEM	10
OSD – DEFINIÇÃO DE OSD	12
OSD – DEFINIÇÃO DE SISTEMA	13
OSD – ÁUDIO	15
OSD – SELEÇÃO DE ENTRADA	16
OSD – INFORMAÇÕES	17
PERGUNTAS FREQUENTES/RESOLUÇÃO DE PROBLEMAS	18
ANEXO	21
ESPECIFICAÇÕES TÉCNICAS	21
MODOS DE VISUALIZAÇÃO SUPORTADOS	22
DIVULGAÇÃO LEGAL RELATIVA A HDMI	24



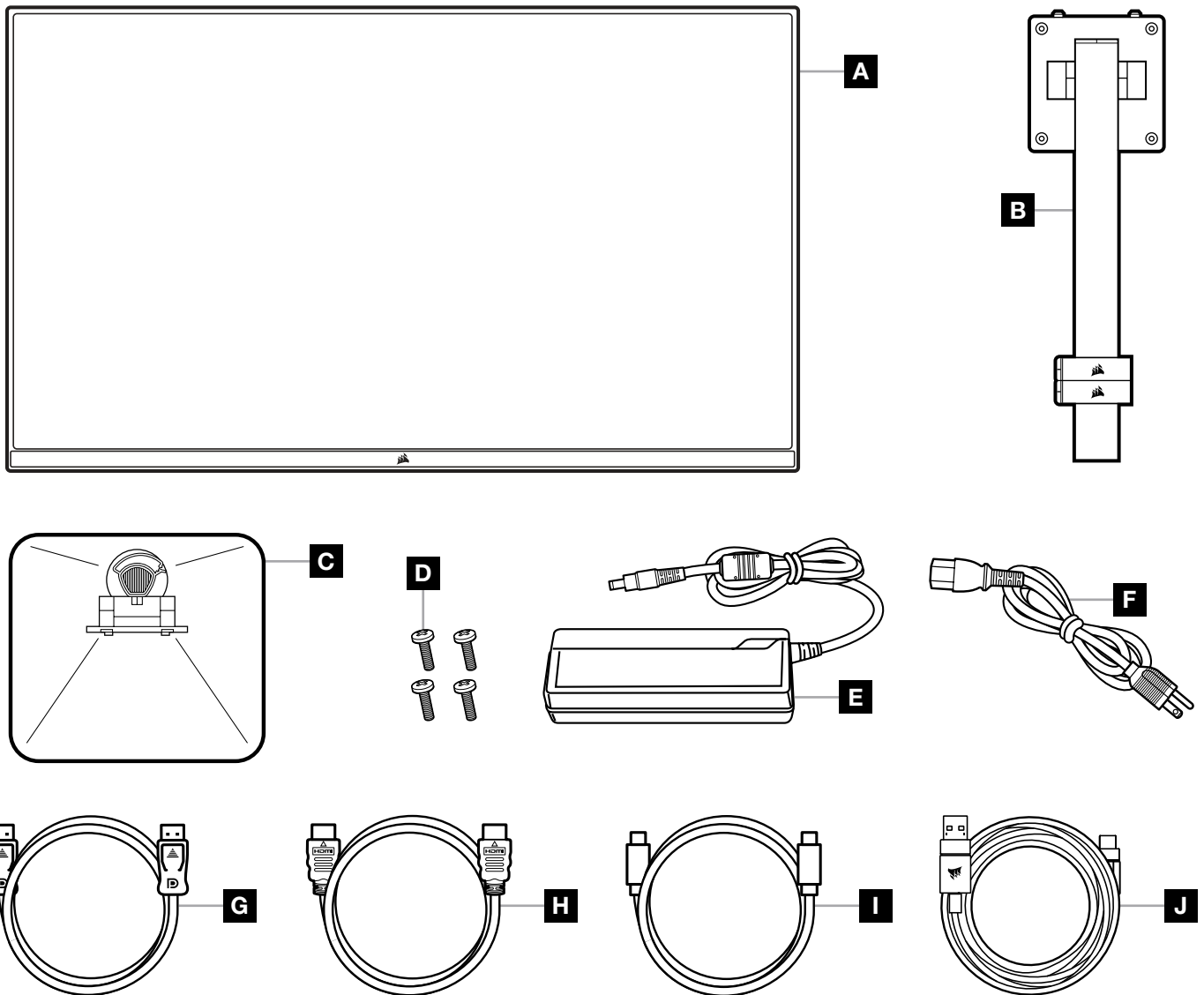
Digitalize o código QR para obter o guia de início rápido e os vídeos de configuração

Visite <https://qsg.corsair.com/xeneon-monitors> para aceder a detalhes de configuração de produtos, informações de utilizador e garantia/política de píxeis mortos

PRECAUÇÕES

- Utilize apenas os acessórios fornecidos com o monitor ou que são recomendados pelo fabricante.
- Mantenha o saco de plástico de embalagem do produto num local fora do alcance das crianças.
- Antes de ligar o monitor à tomada, certifique-se de que a tensão do cabo de alimentação é compatível com as especificações do país onde se encontra.
- A ficha do cabo de alimentação tem de ser ligada a uma tomada devidamente conectada e ligada à terra.
- Não toque na ficha com as mãos húmidas, pois isso pode facilmente causar um choque elétrico.
- Coloque o monitor num local estável e bem arejado.
- Não coloque o monitor próximo de fontes de calor, tais como radiadores elétricos ou luz solar direta.
- Os orifícios ou aberturas do monitor destinam-se a ventilação. Não tape nem obstrua os orifícios de ventilação com quaisquer objetos.
- Não utilize o monitor perto de água, bebidas ou qualquer tipo de líquidos. O incumprimento do anterior pode resultar em choques elétricos ou danos no monitor.
- Certifique-se de que desliga o monitor da tomada antes de efetuar a limpeza.
- Uma vez que a superfície do ecrã pode ser facilmente riscada, evite tocar nela com objetos rígidos ou pontiagudos. Para limpar o ecrã, utilize um pano macio e que não largue pelos em vez de um lenço de papel. Se necessário, pode usar um limpa-vidros para limpar o equipamento. Contudo, nunca pulverize o produto diretamente para o ecrã.
- Desligue o cabo de alimentação se o equipamento não for utilizado durante um longo período de tempo.
- Não tente desmontar nem reparar o monitor por si próprio.

CONTEÚDO DO ECRÃ XENEON 32QHD240

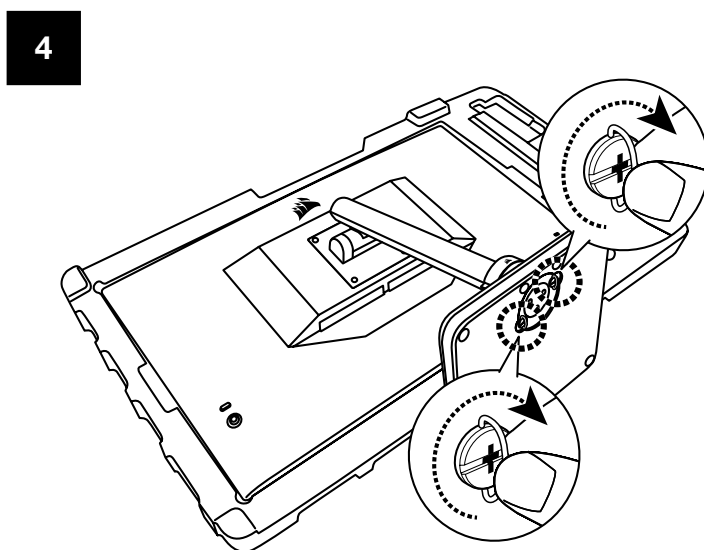
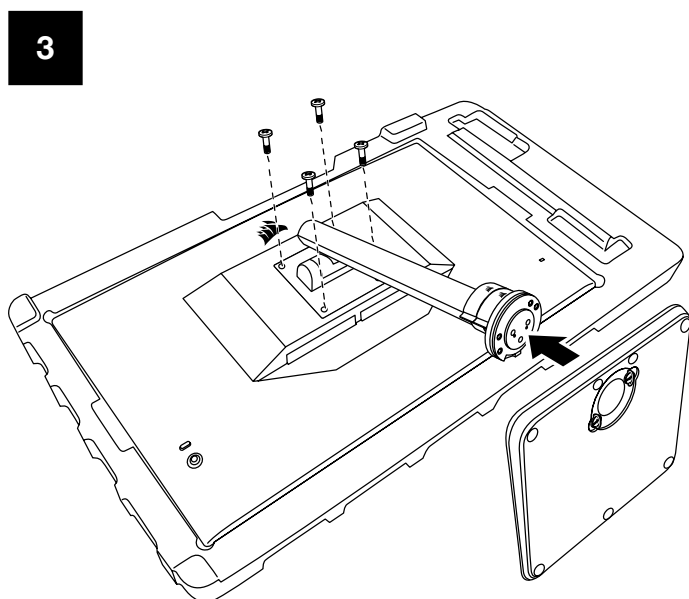
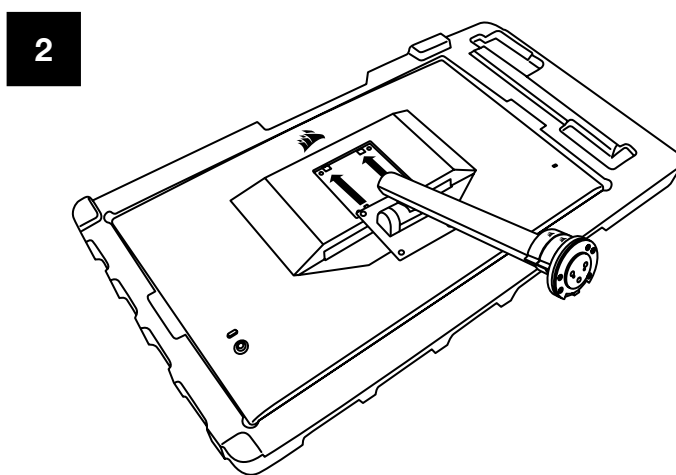
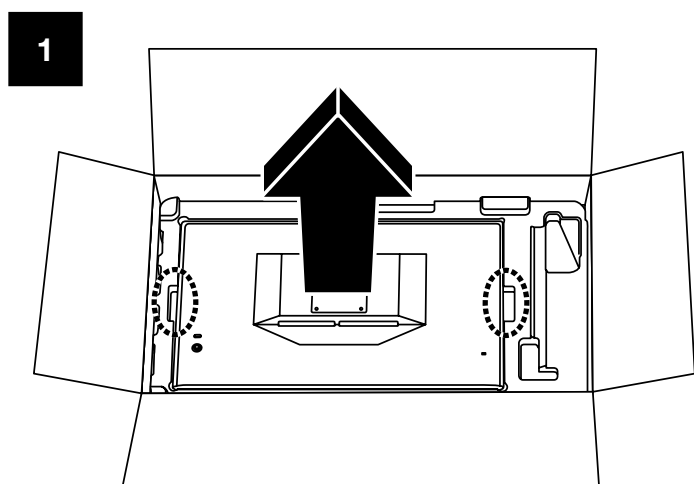


- | | |
|--|------------------------------------|
| A PAINEL DE ECRÃ XENEON 32QHD240 | F CABO DE ALIMENTAÇÃO CA |
| B PILAR DE FIXAÇÃO (APENAS PARA CM-9020002) | G CABO DISPLAYPORT (1,5M) |
| C SUPORTE (APENAS PARA CM-9020002) | H CABO HDMI (1,5M) |
| D PARAFUSOS DE MONTAGEM (X4) | I CABO USB-C (1,5M) |
| E ADAPTADOR CA | J CABO USB-A A USB-C (1,8M) |

MONTAGEM (APENAS PARA CM-9020002)

Antes de começar, necessita de uma chave de fendas Phillips.

1. Retire a camada superior de espuma que inclui os acessórios e o suporte para expor a parte traseira do painel.
2. Abra cuidadosamente o saco de espuma que cobre o painel (veja a imagem 1) para expor a área de montagem. Não retire o painel do saco.
3. Alinhe o pilar do monitor com as ranhuras de montagem existentes na parte traseira do painel (veja a imagem 2). Encaixe os ganchos superiores nas ranhuras de montagem existente na parte traseira do painel. Com uma chave de fendas Phillips, fixe o pilar ao painel com os 4 parafusos (veja a imagem 3).
4. Fixe a base do suporte ao pilar do monitor (veja a imagem 3) e aperte o parafuso prisioneiro à parte inferior do pilar (veja a imagem 4).
5. Retire lentamente o monitor da embalagem e coloque-o na vertical na secretária. Não toque na parte frontal do painel enquanto levanta o monitor.



AJUSTE DE INCLINAÇÃO, ARTICULAÇÃO E ALTURA (APENAS PARA CM-9020002)

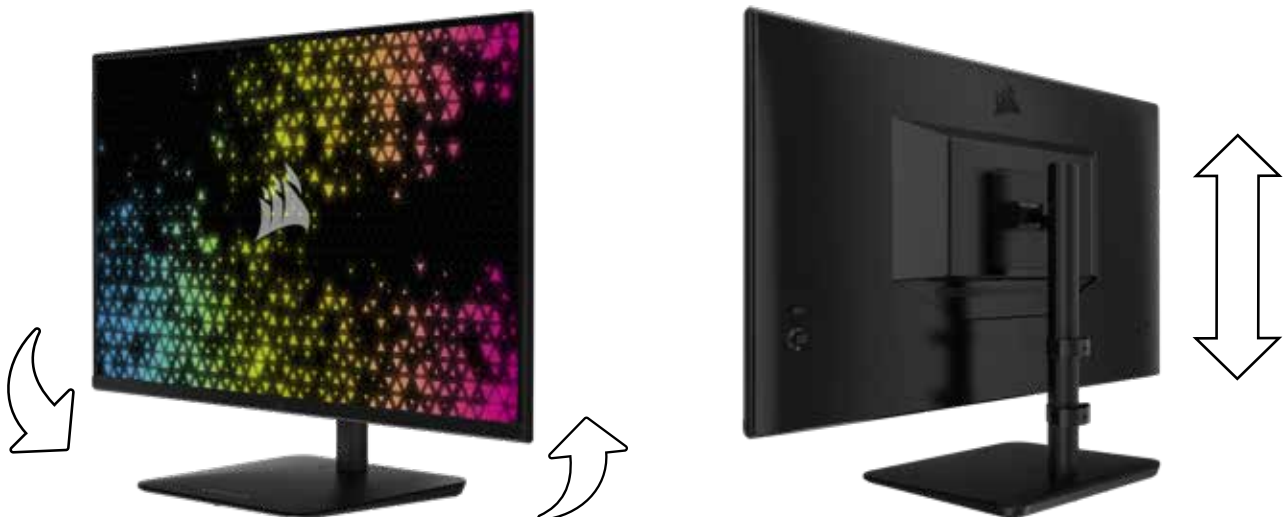
O seu ecrã Xeneon integra um suporte robusto e sofisticado que permite o ajuste de inclinação, articulação e altura.

- Inclinação -5 / +20 graus
- Articulação \pm 30 graus
- Intervalo de ajuste de altura 68mm

INCLINAÇÃO



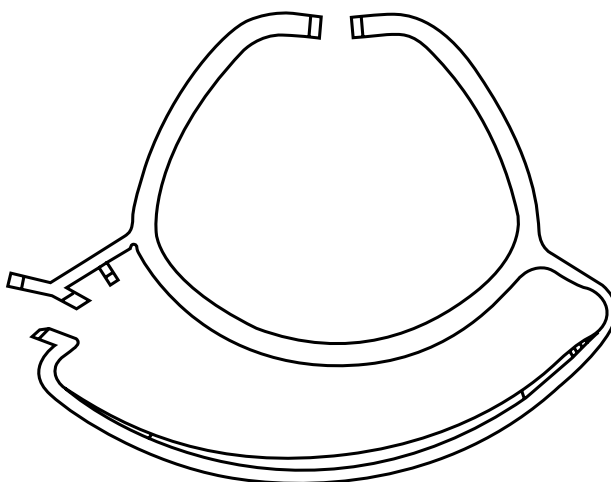
AJUSTE DE ARTICULAÇÃO E ALTURA



GESTÃO DE CABOS RAPIDROUTE (APENAS PARA CM-9020002)



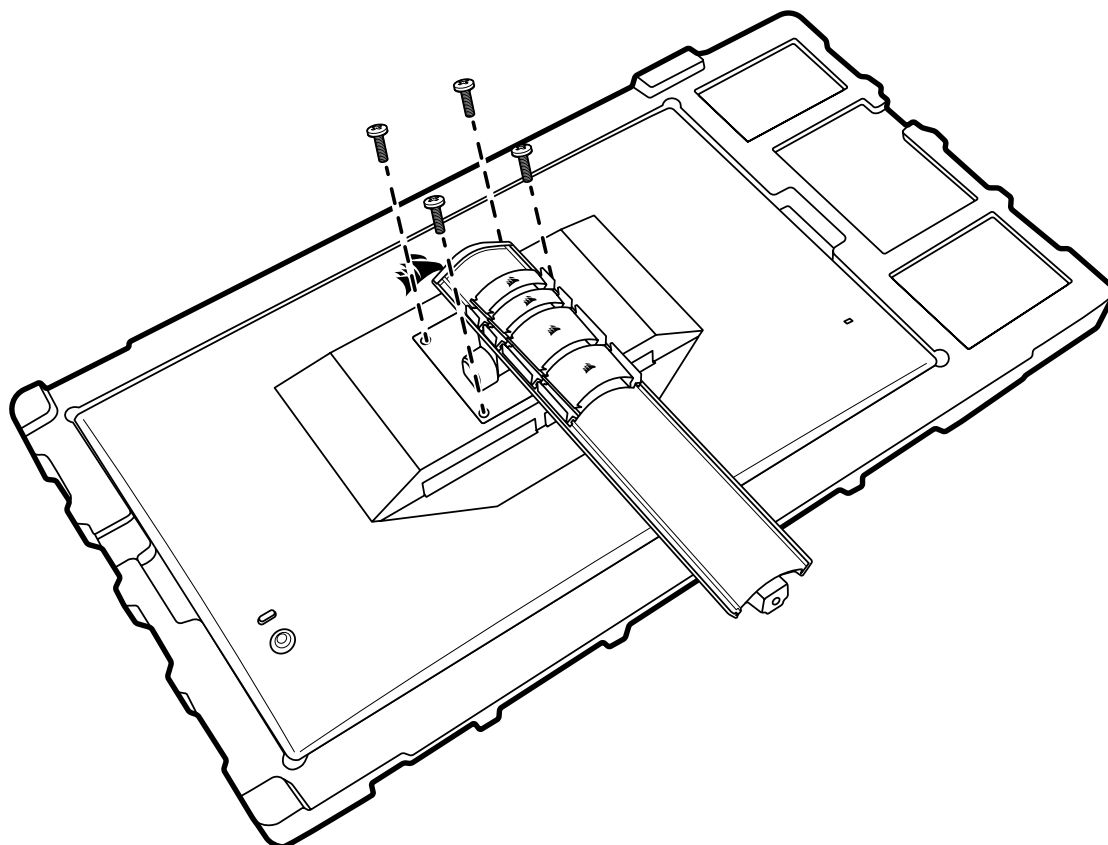
O monitor Xeneon tem a gestão de cabos RapidRoute incorporada para manter a sua secretária organizada. Há 2 cliques de cabos ajustáveis que deslizam para cima e para baixo no pilar do monitor para permitir personalizar as suas necessidades de organização de cabos. Abra cada clipe de cabos ao premir o fecho de polegar à esquerda e ao puxar para fora pelo clipe de cabos.



COMPATIBILIDADE COM SUPORTE DE PAREDE

Antes de montar o ecrã com um suporte de parede compatível (VESA 100mm x 100mm), certifique-se de que:

- Retirou o pilar do ecrã com uma chave de fendas Phillips
- O suporte de parede que adquiriu suporta o peso deste ecrã

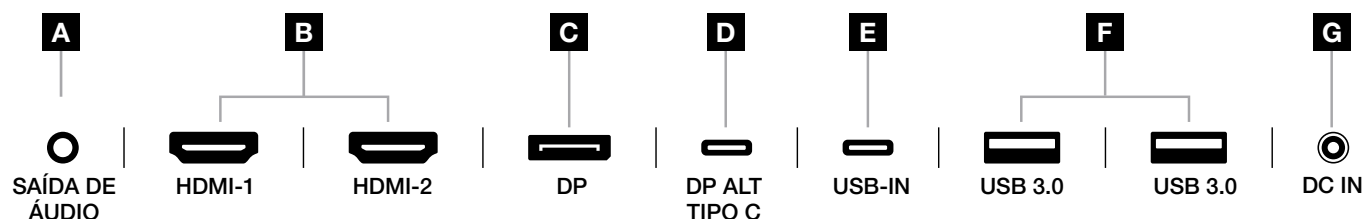


Reveja as instruções do suporte de parede para obter mais informações sobre como montar corretamente o ecrã.

AVISO: O seu ecrã tem quatro orifícios de montagem VESA na parte traseira. Tem de fixar um suporte de parede aos quatro orifícios. Se não utilizar os quatro orifícios, o ecrã pode cair e causar danos materiais ou ferimentos pessoais.

Nota: Os parafusos do suporte de parede não estão incluídos. Parafusos: tipo M4, 14 a 16mm de comprimento, consoante o suporte de parede

CONECTIVIDADE



- A. Ficha de áudio de 3,5mm**
Saída de áudio de dispositivos HDMI, DisplayPort e USB-C Alt Mode ligados.
- B. Portas HDMI 2.0**
As duas entradas HDMI correspondem às entradas “HDMI-1” e “HDMI-2”.
- C. Porta DisplayPort 1.4**
A entrada DisplayPort corresponde à entrada “DisplayPort”.
- D. Porta USB Type-C**
Suporta entrada DisplayPort Alt Mode e entrada USB upstream (liga a portas USB 3.0). Corresponde à entrada “TIPO C”. Esta porta ou a porta upstream USB tem de ser ligada a uma porta compatível com USB no seu dispositivo anfitrião a fim de suportar a funcionalidade CORSAIR iCUE e as portas USB 3.0 downstream.
- E. Porta USB-IN**
Porta de entrada USB upstream. Esta porta ou a porta USB Type-C tem de ser ligada a uma porta compatível com USB no seu dispositivo anfitrião a fim de suportar a funcionalidade CORSAIR iCUE e as portas USB 3.0 downstream.
- F. Portas USB 3.0**
Portas USB Tipo A duplas de 5Gbps.
- G. DC In**
Liga ao adaptador CA fornecido.

OPERAÇÃO

CONTROLOS

 — LIGAR/DESLIGAR ALIMENTAÇÃO

 — PREMIR – Abrir definições de visualização

PARA CIMA – Abrir controlo deslizante de luminosidade
PARA BAIXO – Abrir seleção de modo de imagem
ESQUERDA – Abrir controlo deslizante de volume
DIREITA – Abrir seleção de fonte de entrada



O seu monitor inclui um joystick do lado traseiro voltado para a direita, para abrir atalhos e navegar nas definições de visualização. Tenha em atenção que muitas destas definições também podem ser controladas no software CORSAIR iCUE, se tiver o hub USB ligado ao seu computador através de uma porta USB IN.

Instale a versão mais recente do iCUE (4.24 ou posterior) disponível em <https://www.corsair.com/us/en/icue>.

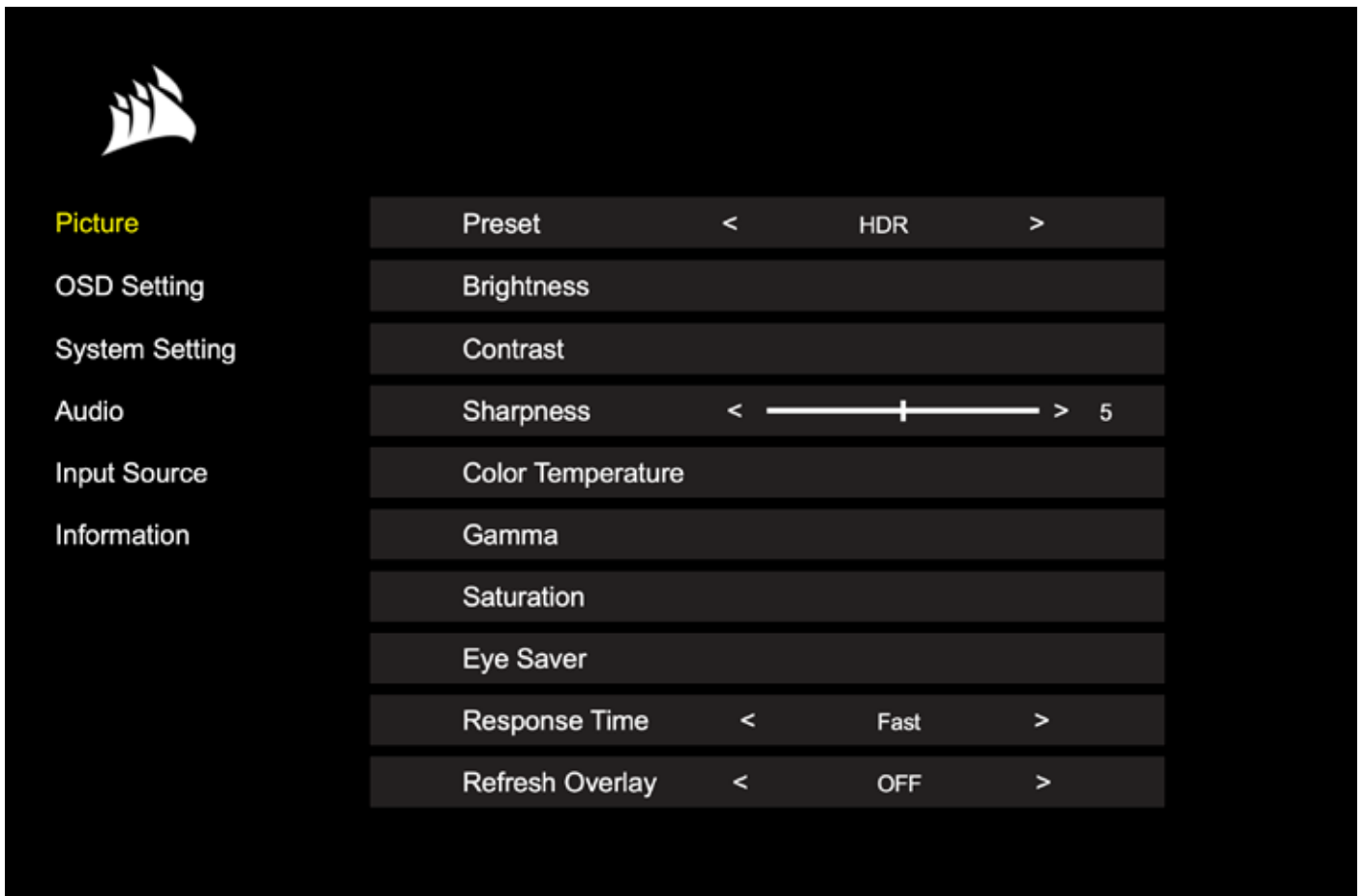
VISUALIZAÇÃO NO ECRÃ (OSD)

Ao premir o joystick para dentro, pode aceder às definições de visualização do monitor. Pode utilizar o joystick para navegar nas definições e ao premir o joystick para dentro, confirma a seleção.

OPERAÇÃO

OSD – DEFINIÇÕES DE IMAGEM

O primeiro menu, “Imagem”, contém as definições seguintes para ajustar a qualidade global da imagem.



OPERAÇÃO

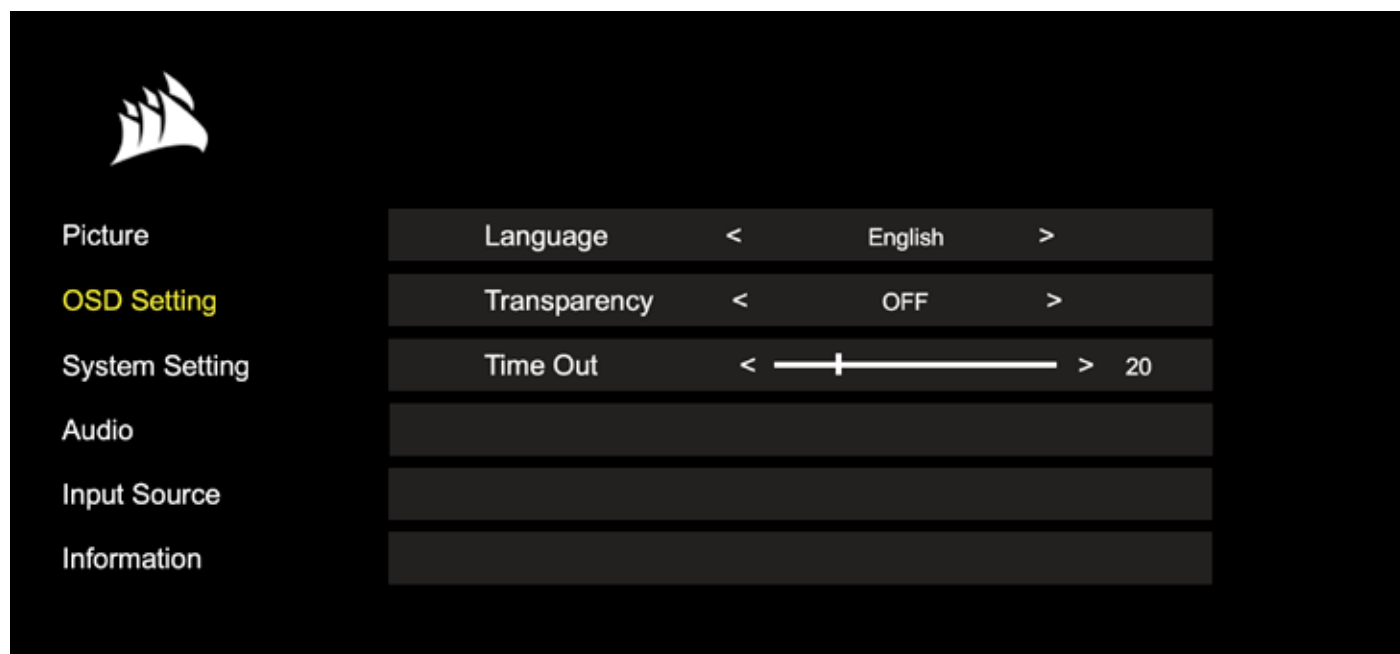
OSD – DEFINIÇÕES DE IMAGEM

DEFINIÇÃO	OPÇÕES	DESCRIÇÃO
Modo de imagem	Padrão	Seleciona uma predefinição de visualização calibrada de fábrica para uma utilização geral e para uma poupança de energia ideal
	Filme	Seleciona uma predefinição de visualização otimizada para ver filmes
	Texto	Seleciona uma predefinição de visualização otimizada para ler texto
	sRGB	Seleciona uma predefinição de visualização calibrada de fábrica para a colorimetria sRGB
	Criativo	Seleciona uma predefinição de visualização calibrada de fábrica para tarefas de criação de conteúdos
	Jogo	Seleciona uma predefinição de visualização otimizada para reproduzir jogos rápidos
	DCI-P3	Seleciona uma predefinição de visualização otimizada para conteúdo HDR em colorimetria DCI-P3
	AdobeRGB	Seleciona uma predefinição de visualização otimizada para conteúdo HDR em colorimetria AdobeRGB
	HDR	Aparece HDR quando o modo HDR estiver selecionado no seu sistema operativo
Luminosidade	0-100	Ajusta a intensidade da luz de fundo do ecrã
Contraste	0-100	Ajusta o contraste do ecrã
Nitidez	0-10	Ajusta o filtro de nitidez do ecrã, aumentando o detalhe dos contornos
Temperatura da cor	Frio	Define a temperatura da cor do ecrã para 9300 K
	Normal	Define a temperatura da cor do ecrã para 6500 K padrão
	Quente	Define a temperatura da cor do ecrã para 5000 K
	Personalizado	Permite definir manualmente a temperatura da cor do ecrã, com controlos deslizantes que regulam os níveis de vermelho, azul e verde
Gama	2.0, 2.2, 2.4	Ajusta a relação entre a cor e a luminosidade; a predefinição é 2.2
Saturação	0-10	Ajusta a intensidade das cores do ecrã
Proteção ocular	ATIVAR ou DESATIVAR	Reduz as emissões de luz azul do ecrã quando a opção está ativada
Tempo de resposta	Normal, Rápido, Mais rápido, O mais rápido, OD dinâmico	Permite aumentar a rapidez de transição dos píxeis entre as cores, o que pode reduzir a desfocagem de objetos em movimento rápido
Atualizar sobreposição	ATIVAR ou DESATIVAR	Ativa/desativa uma sobreposição no canto superior direito que apresenta a taxa de atualização atual do monitor, útil para o rastreo de fotogramas por segundo quando a sincronização adaptável está ativada
MPRT	ATIVAR ou DESATIVAR	Ativa/desativa a definição "Tempo de resposta de imagem em movimento", que pode reduzir a desfocagem de objetos em movimento quando estiver "Ativa"
Escurecimento local	ATIVAR ou DESATIVAR	Para desativar porções específicas da luz de fundo para um negro mais profundo e melhor relação de contraste
Mira	DESATIVAR, Ponto, Cruz, Ângulo	Ativa a função de mira

OPERAÇÃO

OSD – DEFINIÇÃO DE OSD

O segundo menu, “Definição de OSD”, contém as definições seguintes para ajustar a visualização no ecrã.

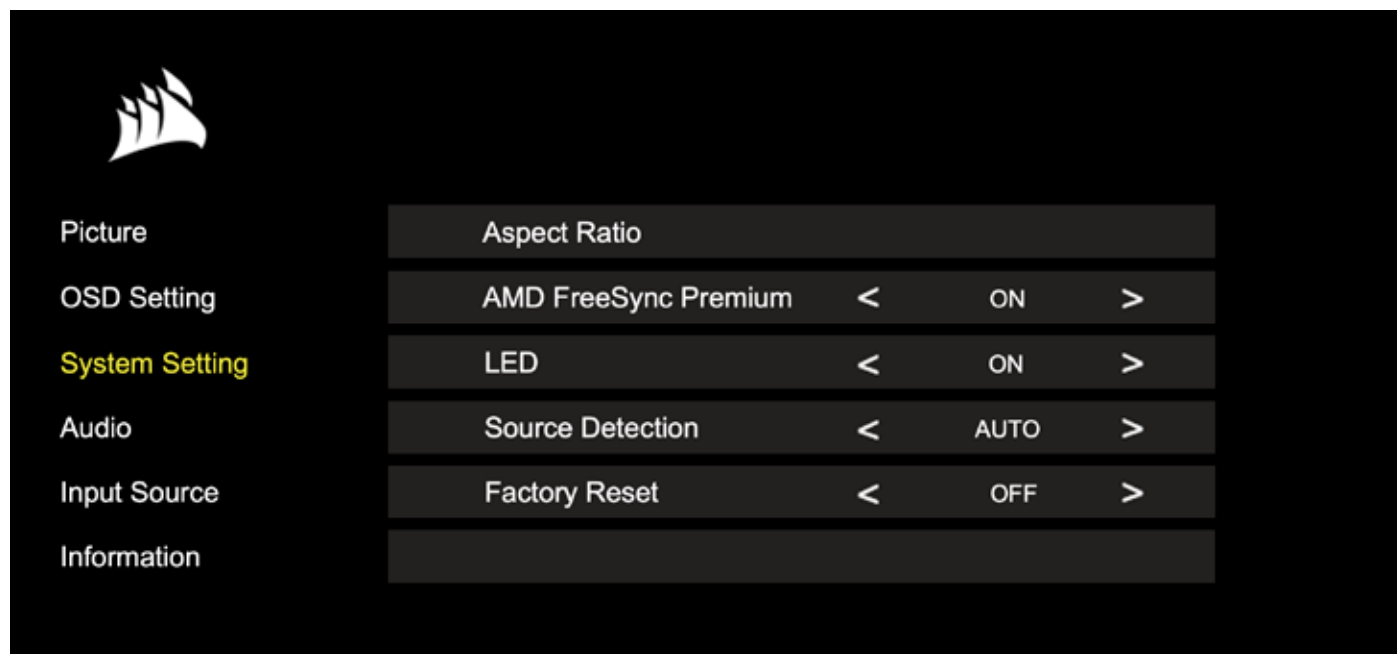


DEFINIÇÃO	OPÇÕES	DESCRIÇÃO
Idioma	English Français Deutsch Italiano Español Português Русский 繁體中文 日本語 한국어	Seleciona o idioma de visualização no ecrã
Transparência	ATIVAR ou DESATIVAR	Define a visualização no ecrã para transparente ou opaca
Tempo limite	10-60	Ajusta quanto tempo (em segundos) a visualização no ecrã se mantém no ecrã antes de desaparecer

OPERAÇÃO

OSD – DEFINIÇÃO DE SISTEMA

O terceiro menu, “Definição de sistema”, contém as definições seguintes para ajustar as definições internas do monitor.



OPERAÇÃO

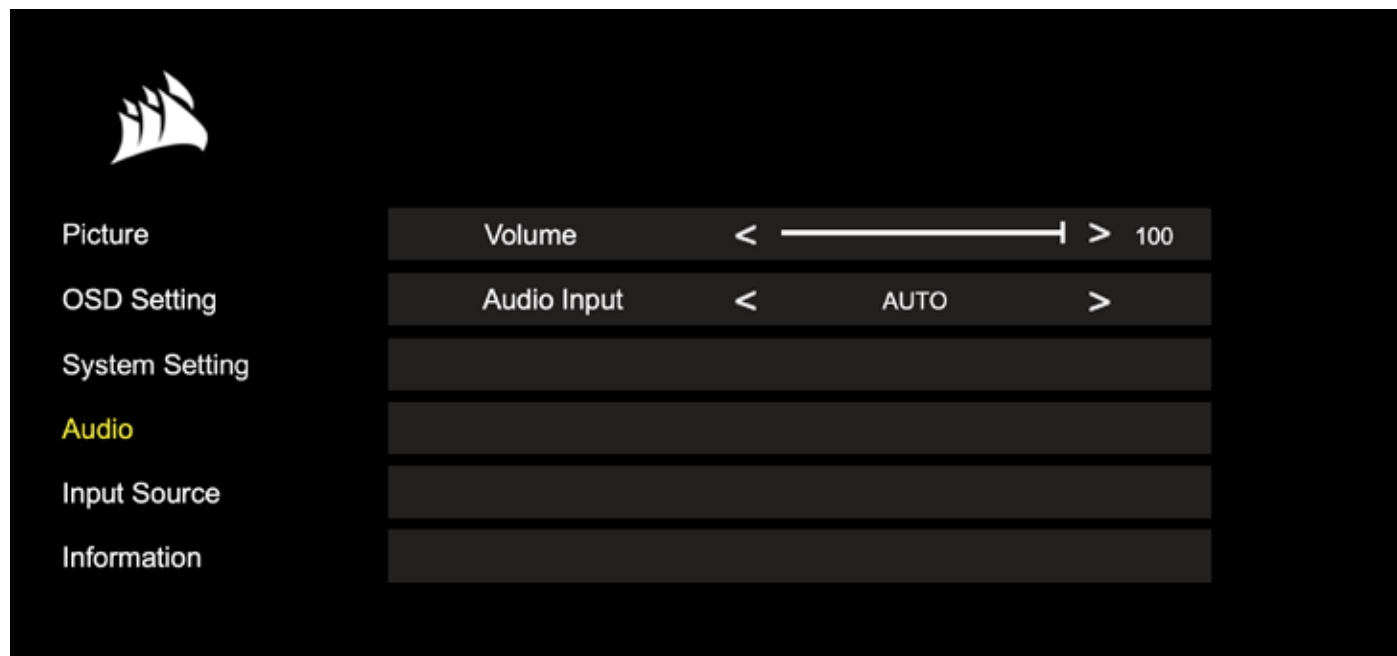
OSD – DEFINIÇÃO DE SISTEMA

DEFINIÇÃO	OPÇÕES	DESCRIÇÃO
Relação de aspeto	Auto, 4:3, 16:9	Selecione a relação de aspeto do monitor. “Auto” tenta fazer corresponder a relação de aspeto do monitor com o sinal de entrada de vídeo. Não disponível com a sincronização adaptável ativada
AMD FreeSync Premium	ATIVAR ou DESATIVAR	<p>Ativa ou desativa a funcionalidade de sincronização adaptável quando existe ligação a GPU compatível. Selecione a opção de ativação para ativar a sincronização adaptável para AMD FreeSync através de HDMI</p> <p>A compatibilidade com NVIDIA G-Sync está disponível quando a ligação é efetuada através de um cabo DP ou USB Type-C Alt Mode a GPU compatível. Para a funcionalidade NVIDIA G-Sync:</p> <ul style="list-style-type: none"> • Instalar/abrir o painel de controlo NVIDIA • Selecione “Configurar G-Sync” • Selecione a opção Ativar compatibilidade G-Sync • Selecione a opção 32QHD240/RDD0020 • Selecione a opção “Ativar definições para o modelo de ecrã selecionado” <p>Pode ser necessário um reinício do sistema para aceder às definições NVIDIA</p>
LED	ATIVAR ou DESATIVAR	Seleciona a ativação ou a desativação do indicador LED de alimentação frontal
Deteção de fonte	AUTO ou MANUAL	Determina se o monitor muda automaticamente para uma entrada diferente se detetar um sinal, ou se tem de mudar manualmente as entradas
USB-C Alt Mode (só presente quando o ecrã estiver ligado através da porta de vídeo USB-C)	4 pistas 2 pistas	<p>Ativa/desativa o número de pistas USB para utilizar na porta USB-C para vídeo</p> <ul style="list-style-type: none"> • O modo de 4 pistas permite uma resolução até 2560x1440@240Hz, mas reduz a velocidade das portas USB Tipo A para USB 2.0 • O modo de 2 pistas permite até 2560x1440@120Hz, mas ajusta a velocidade das portas USB Tipo A para USB 3.0
Reposição de fábrica	ATIVAR ou DESATIVAR	Repõe todas as predefinições de fábrica do monitor

OPERAÇÃO

OSD – ÁUDIO

O quarto menu, “Áudio”, permite controlar o áudio do monitor.

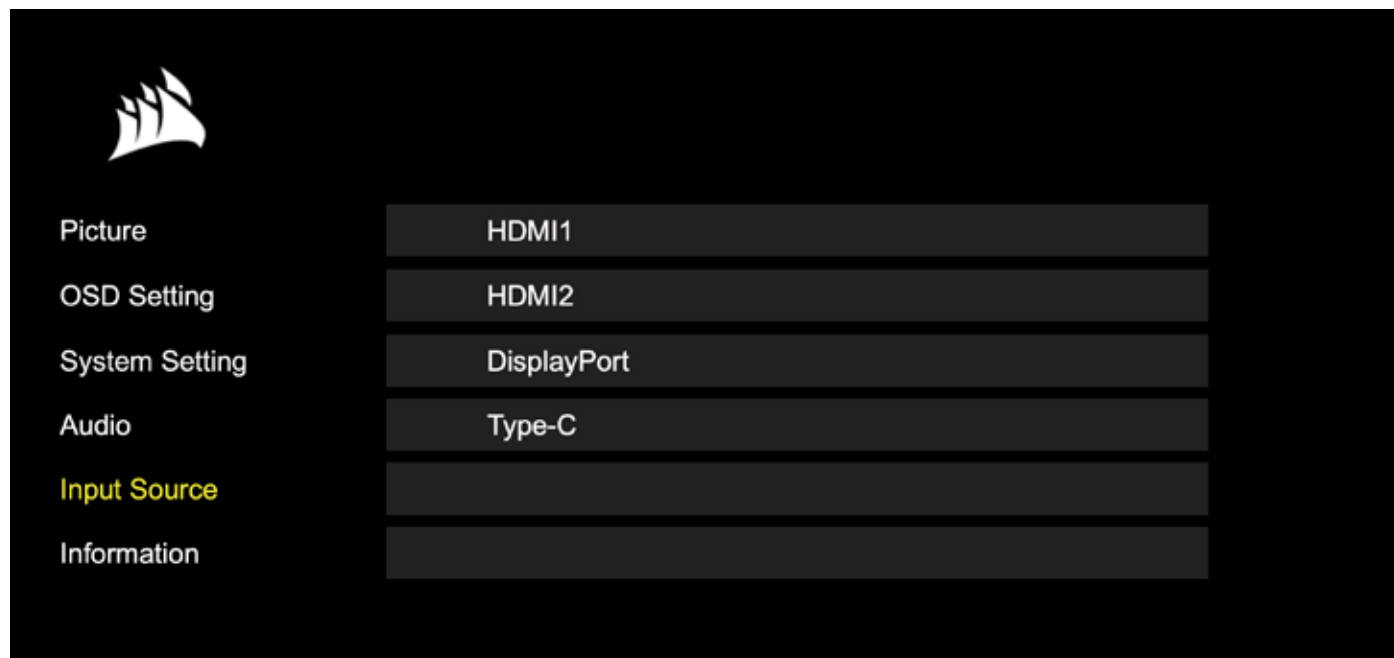


DEFINIÇÃO	OPÇÕES	DESCRIÇÃO
Volume	0-100	Ajusta o volume da saída de áudio da ficha de auscultadores
Entrada de áudio	Automático, HDMI-1, HDMI-2, DisplayPort, USB Type-C	Seleciona a entrada a partir da qual o monitor passa o áudio para a ficha de auscultadores. "Auto" utiliza a entrada atual

OPERAÇÃO

OSD – SELEÇÃO DE ENTRADA

O quinto menu, “Seleção de entrada”, permite alternar entre as diversas entradas do monitor.

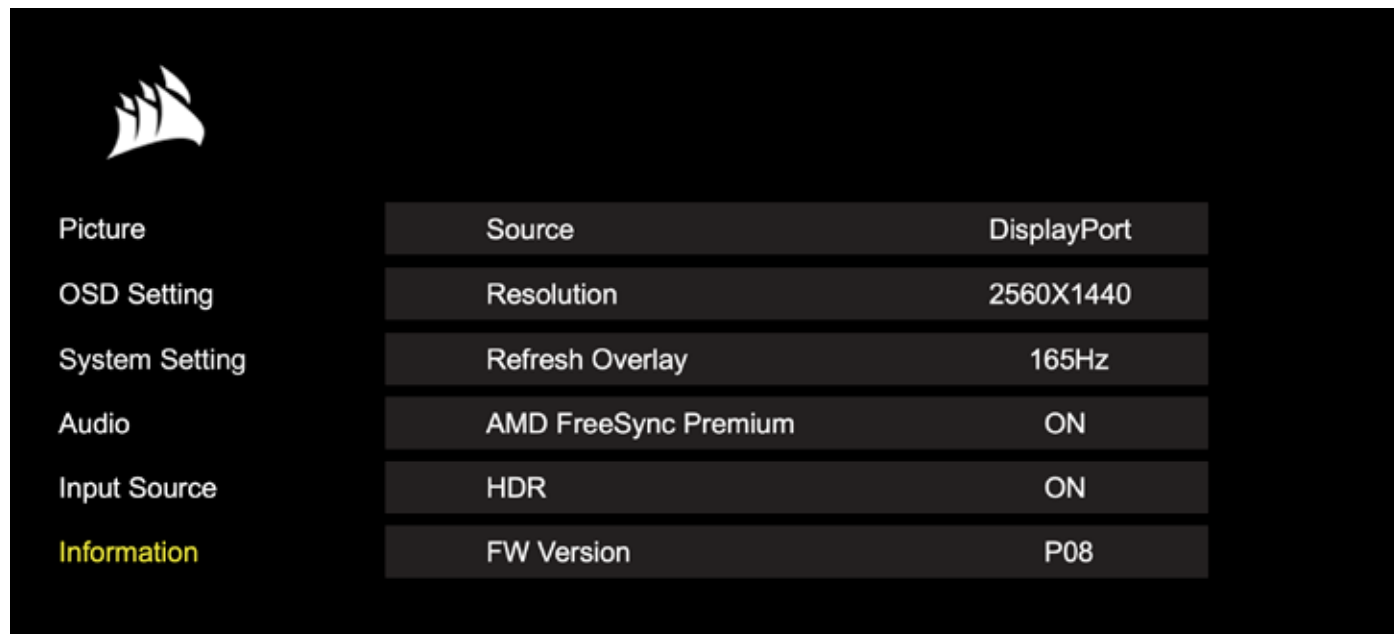


DEFINIÇÃO	DESCRIÇÃO
HDMI-1	Muda para o dispositivo ligado à porta HDMI-1
HDMI-2	Muda para o dispositivo ligado à porta HDMI-2
DisplayPort	Muda para o dispositivo ligado à porta DisplayPort "DP"
TIPO C	Muda para o dispositivo ligado à porta TIPO C

OPERAÇÃO

OSD – INFORMAÇÕES

Fornece o estado atual das definições para as principais funcionalidades.



Picture	Source	DisplayPort
OSD Setting	Resolution	2560X1440
System Setting	Refresh Overlay	165Hz
Audio	AMD FreeSync Premium	ON
Input Source	HDR	ON
Information	FW Version	P08

DEFINIÇÃO	DESCRIÇÃO
Fonte	Apresentar a fonte de entrada atual
Resolução	Apresentar a resolução de ecrã atual
Atualizar sobreposição	Apresentar a taxa de atualização atual
AMD FreeSync Premium	Estado do AMD FreeSync Premium
HDR	Estado de HDR
Versão FW	Apresenta a versão atual do FW

OPERAÇÃO

PERGUNTAS FREQUENTES SOBRE O MONITOR DE JOGOS CORSAIR XENEON 32QHD240

PERGUNTA	RESPOSTA																						
LED de alimentação inativo	Prima o botão de alimentação existente na parte traseira do monitor para verificar se está ativo.																						
	Veja se o cabo de alimentação está ligado ao monitor e ao adaptador de alimentação.																						
	Verifique se a opção de LED de alimentação do menu Definição de sistema de OSD está ativada.																						
Sem imagem no ecrã	Verifique se o monitor está ligado.																						
	Veja se o cabo de vídeo está devidamente ligado ao monitor e ao dispositivo de origem.																						
	Verifique a qualidade do cabo de vídeo e certifique-se de que não apresenta danos. Evite usar cabos de vídeo e extensões de fraca qualidade.																						
	Verifique qual a definição da entrada da fonte de vídeo do monitor (se a funcionalidade de fonte automática estiver desativada na visualização no ecrã).																						
	Ligue outro dispositivo de origem para testar a entrada de vídeo do monitor.																						
	Ligue o dispositivo de origem a outro monitor disponível para testar a saída de vídeo.																						
Imagem demasiado clara/escuro	Evite efetuar a instalação instantânea (hot-plugging) do monitor. Ligue o monitor à fonte antes de ligar o dispositivo de origem.																						
	Ajuste as definições de luminosidade/gama/contraste através de OSD. Reponha as predefinições de fábrica do monitor.																						
Sinal de vídeo não suportado	Verifique as definições de saída de vídeo do dispositivo de origem. As resoluções de entrada suportadas para o monitor de jogos CORSAIR XENEON 32QHD240 são:																						
	<table border="1"> <thead> <tr> <th>RESOLUÇÃO</th> <th>TAXA DE ATUALIZAÇÃO</th> </tr> </thead> <tbody> <tr> <td>640x480</td> <td>60, 67, 72, 75Hz</td> </tr> <tr> <td>800x600</td> <td>56, 60, 72, 75Hz</td> </tr> <tr> <td>1024x768</td> <td>60, 70, 75Hz</td> </tr> <tr> <td>1280x1024</td> <td>60, 75Hz</td> </tr> <tr> <td>1440x900</td> <td>60Hz</td> </tr> <tr> <td>1680x1050</td> <td>60Hz</td> </tr> <tr> <td rowspan="2">1920x1080</td> <td>60Hz</td> </tr> <tr> <td>144, 165Hz (DP, Type-C)</td> </tr> <tr> <td rowspan="2">2560x1440</td> <td>60, 120, 144Hz</td> </tr> <tr> <td>165, 180, 240Hz (DP, Type-C)</td> </tr> <tr> <td>3840x2160</td> <td>30, 60Hz (para suporte de consolas com redução de escala)</td> </tr> </tbody> </table>	RESOLUÇÃO	TAXA DE ATUALIZAÇÃO	640x480	60, 67, 72, 75Hz	800x600	56, 60, 72, 75Hz	1024x768	60, 70, 75Hz	1280x1024	60, 75Hz	1440x900	60Hz	1680x1050	60Hz	1920x1080	60Hz	144, 165Hz (DP, Type-C)	2560x1440	60, 120, 144Hz	165, 180, 240Hz (DP, Type-C)	3840x2160	30, 60Hz (para suporte de consolas com redução de escala)
	RESOLUÇÃO	TAXA DE ATUALIZAÇÃO																					
	640x480	60, 67, 72, 75Hz																					
	800x600	56, 60, 72, 75Hz																					
	1024x768	60, 70, 75Hz																					
	1280x1024	60, 75Hz																					
	1440x900	60Hz																					
	1680x1050	60Hz																					
	1920x1080	60Hz																					
144, 165Hz (DP, Type-C)																							
2560x1440	60, 120, 144Hz																						
	165, 180, 240Hz (DP, Type-C)																						
3840x2160	30, 60Hz (para suporte de consolas com redução de escala)																						

OPERAÇÃO

PERGUNTAS FREQUENTES SOBRE O MONITOR DE JOGOS CORSAIR XENEON 32QHD240

PERGUNTA	RESPOSTA
O CORSAIR XENEON 32QHD240 suporta vídeo por USB-C?	Sim, o CORSAIR XENEON 32QHD240 suporta DisplayPort por USB-C através da entrada dedicada DP ALT TIPO C. Utilize o cabo Tipo C de 1,5 m fornecido ou um cabo USB Tipo C de qualidade que suporte USB 3.2 de 2. ^a geração para obter os melhores resultados.
Não consigo utilizar dispositivos ligados às portas USB-A do meu monitor quando estão ligadas ao meu dispositivo que suporta USB-C Alt Mode com um único cabo USB-C	Por predefinição, o USB-C Alt Mode irá funcionar no modo “4 pistas”, o que permite uma resolução completa de DisplayPort por USB-C; no entanto, isto desativa a utilização das portas USB Tipo A. Para reativar as portas USB Tipo A quando houver uma ligação única pela entrada DP ALT TIPO C, mude para o modo “2 pistas”, o que irá limitar a resolução de saída de vídeo suportada a fim de reativar as portas USB Tipo A para periféricos ligados às portas USB Tipo A do monitor. Em alternativa, pode ligar o dispositivo de origem à porta USB downstream, bem como à porta DP ALT TIPO C para uma resolução de vídeo completa e funcionalidade da porta USB. Certifique-se de que utiliza um cabo USB Tipo C de qualidade que suporte USB 3.2 de 2. ^a geração para obter os melhores resultados.
A imagem está esticada/compactada	Verifique a definição de “Relação de aspeto” em “Definição de sistema”. Por predefinição, esta está configurada para “Auto”, mas em determinados casos, poderá precisar de definir manualmente uma relação de aspeto (p. ex. determinadas combinações de adaptadores e consolas de jogos retro).
A imagem tem problemas de cor	Verifique a qualidade do cabo de vídeo e certifique-se de que não apresenta danos. Evite usar cabos de vídeo e extensões de fraca qualidade. Reponha as predefinições de fábrica do monitor. Ajuste as definições de imagem através de OSD.
Artefactos na imagem do ecrã	Verifique a qualidade do cabo de vídeo e certifique-se de que não apresenta danos. Verifique o dispositivo de origem, pois para uma placa gráfica ou uma consola de jogos avariada, pode ter de contactar o fabricante para obter assistência.
O monitor tem um píxel morto	A CORSAIR tem uma política de “Zero Píxeis Mortos” para monitores. Se o monitor tiver 1 ou mais píxeis claros ou 6 ou mais subpíxeis pretos, será trocado durante o período de garantia de 3 anos.
Que tipo de suporte VESA é compatível?	O CORSAIR XENEON 32QHD240 é compatível com um suporte padrão de 100mm x 100mm, a cabeça do monitor tem de ser removida do suporte. Utilize os parafusos de montagem fornecidos com o suporte VESA.

OPERAÇÃO

PERGUNTAS FREQUENTES SOBRE O MONITOR DE JOGOS CORSAIR XENEON 32QHD240

PERGUNTA	RESPOSTA
Posso montar uma webcam ou uma câmara DSLR/sem espelhos?	O CORSAIR XENEON 32QHD240 suporta webcams padrão colocadas sobre a moldura superior do monitor.
O meu monitor CORSAIR XENEON não é detetado por CORSAIR iCUE	Verifique se o seu PC tem instalada a versão mais recente do CORSAIR XENEON 32QHD240 é suportado na versão 4.24 ou mais recente do iCUE.
	Verifique se o cabo ligado à porta USB-C upstream do monitor e à porta USB 3.0 do PC está ligado corretamente. Se possível, evite ligar o monitor através de um hub USB ou uma extensão. Recomendamos vivamente que utilize o cabo USB-C fornecido com o monitor CORSAIR XENEON para obter os melhores resultados.
Que opções de taxa de atualização adaptável estão disponíveis para CORSAIR XENEON?	O CORSAIR XENEON 32QHD240 tem a certificação para AMD FreeSync Premium e também é compatível com NVIDIA G-SYNC.
AMD FreeSync/G-SYNC não estão ativados	Certifique-se de que a opção AMD FreeSync está ativada através da visualização no ecrã.
	Verifique as definições da placa gráfica e certifique-se de que as opções AMD FreeSync/NVIDIA G-SYNC estão ativadas. AMD FreeSync funciona através de qualquer uma das portas de vídeo. A compatibilidade com NVIDIA G-Sync só funciona através das portas DP ou USB Tipo C Alt-Mode DP.
Não obtenho a taxa de atualização nominal de 240Hz do monitor	Verifique as definições de visualização da placa gráfica/do sistema e certifique-se de que a taxa de atualização de 240Hz foi ativada. Consulte a tabela de modo de visualização suportado no Anexo para ver as opções disponíveis.
	Verifique a qualidade do cabo de vídeo e certifique-se de que não apresenta danos. Evite usar cabos de vídeo e extensões de fraca qualidade.

ANEXO

ESPECIFICAÇÕES TÉCNICAS

Nome do produto	XENEON 32QHD240
Número de referência	Com suporte CM-9020002-XX Sem suporte CM-9020004-XX
Dispositivo	RDD0020
USB Hub ID	CORSAIR USB 3.0 Hub
Tamanho do painel	32" na diagonal
Superfície do monitor	Sem reflexo
Píxeis por polegada	91.8
Relação de aspeto	16:9
Resolução nativa	2560 x 1440 @ 240Hz
Tempo de resposta (MPRT)	1ms
Tempo de resposta (GtG)	5ms
Cores do monitor	16.7M de cores (RGB a 8 bits)
Tecnologia do painel	IPS com tecnologia Quantum Dot
Sem cintilação	Sim
Ângulos de visualização	178° (H) / 178° (V)
Luminosidade máxima	400 nits (SDR) / 600 nits (HDR)
Relação de contraste estática	1000:1
Certificação HDR	VESA DisplayHDR 600
Gama de cores (CIE 1976)	98% (DCI-P3), 100% (AdobeRGB), 100% (sRGB)
Taxa de atualização variável	Certificação AMD FreeSync Premium, compatibilidade com NVIDIA G-Sync
Entrada HDMI	2x HDMI 2.0
Entrada DisplayPort	1x DisplayPort 1.4
Entrada USB-C	1x DisplayPort 1.4 (USB-C Alt Mode), fornecimento de energia de 15 W, upstream de dados de 5 Gbps USB
Entrada USB-C upstream	1x USB-C de 5 Gbps
Saída USB-A	2x USB Tipo A de 5Gbps (5V/0.9A *2)
Áudio de 3,5mm	Sim, passagem de entrada de vídeo

ANEXO

ESPECIFICAÇÕES TÉCNICAS

Consumo de energia (ligado)	40W
Consumo de energia (suspensão)	<0.5W
Consumo de energia (desligado)	<0.3W
Compatibilidade VESA	100mm x 100mm
Dimensões	732mm x 553mm x 270mm (W x H x D)
Peso	8.4kg
Inclinação do suporte	-5° / +20°
Articulação do suporte	-30° / +30°
Intervalo de ajuste de altura do suporte	68mm
Adaptador CA	150W
	Nota: o seu dispositivo utiliza a seguinte fonte de alimentação: Asian Power Devices Inc./DA-150E19

MODOS DE VISUALIZAÇÃO SUPORTADOS

RESOLUÇÃO		TAXA DE ATUALIZAÇÃO	HDMI	DP/TIPO C
640x480	VGA	60Hz	V	V
		67Hz	V	V
		72Hz	V	V
		75Hz	V	V
800x600	SVGA	56Hz	V	V
		60Hz	V	V
		72Hz	V	V
		75Hz	V	V
1024x768	XGA	60Hz	V	V
		70Hz	V	V
		75Hz	V	V

ANEXO

MODOS DE VISUALIZAÇÃO SUPORTADOS

RESOLUÇÃO		TAXA DE ATUALIZAÇÃO	HDMI	DP/TIPO C
1280x1024	SXGA	60Hz	V	V
		75Hz	V	V
1440x900	WXGA+	60Hz	V	V
1680x1050	WSXGA+	60Hz	V	V
1920x1080	FHD	60Hz	V	V
		144Hz		V
		165Hz		V
2560x1440	QHD	60Hz	V	V
		120Hz	V	V
		144Hz	V	V
		165Hz		V
		180Hz		V
		240Hz		V
480P	60Hz	V	V	
576P	50Hz	V	V	
720P	50Hz	V	V	
	60Hz	V	V	
	120Hz	V	V	
1080P	60Hz	V	V	
	120Hz	V	V	
2160P	30Hz	V	V	
	60Hz	V	V	

DIVULGAÇÃO LEGAL RELATIVA A HDMI

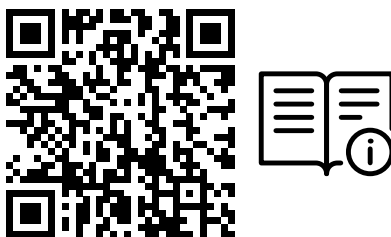


HDMI

Os termos HDMI, HDMI High-Definition Multimedia Interface (interface multimédia de alta-definição), a apresentação comercial HDMI e os Logótipos HDMI são marcas comerciais ou marcas registadas da HDMI Licensing Administrator, Inc.

СОДЕРЖАНИЕ

ПРЕДОСТЕРЕЖЕНИЯ	2
КОМПЛЕКТ ПОСТАВКИ	3
СБОРКА	4
РЕГУЛИРОВКА НАКЛОНА, ПОВОРОТА И ВЫСОТЫ	5
ВАРИАНТЫ ПРОКЛАДКИ КАБЕЛЕЙ, КРЕПЛЕНИЯ КАМЕРЫ (НЕОБЯЗАТЕЛЬНО) И ПРОЧИХ ЭЛЕМЕНТОВ	6
ПОДКЛЮЧЕНИЕ	8
ЭКСПЛУАТАЦИЯ	9
УПРАВЛЕНИЕ	9
ЭКРАННОЕ МЕНЮ (OSD)	9
OSD – НАСТРОЙКИ ИЗОБРАЖЕНИЯ	10
OSD – НАСТРОЙКИ OSD	12
OSD – НАСТРОЙКА СИСТЕМЫ	13
OSD – АУДИО	15
OSD – ВЫБОР ВХОДА	16
OSD – ИНФОРМАЦИЯ	17
ЧАСТО ЗАДАВАЕМЫЕ ВОПРОСЫ И УСТРАНЕНИЕ ПРОБЛЕМ	18
ПРИЛОЖЕНИЕ	21
ТЕХНИЧЕСКИЕ ХАРАКТЕРИСТИКИ	21
ПОДДЕРЖИВАЕМЫЕ РЕЖИМЫ ДИСПЛЕЯ	22
ОБНАРОДОВАНИЕ ИНФОРМАЦИИ ОБ HDMI	24



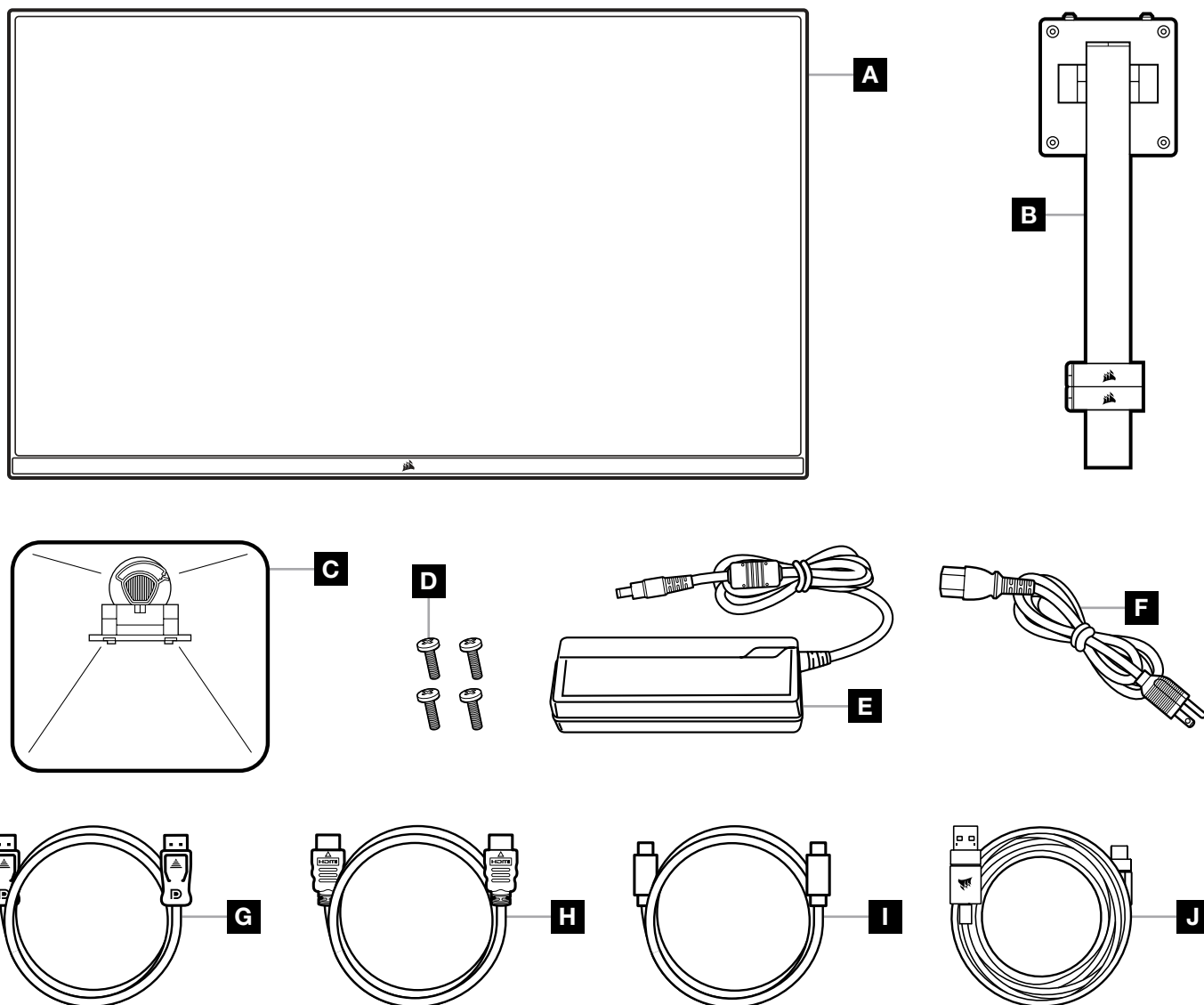
Просканируйте QR-код для получения доступа к краткому руководству пользователя и видеозаписям о настройке устройства

Информацию о настройке продукта, руководство пользователя и сведения о политике предоставления гарантии или реагирования на наличие битых пикселей можно найти на странице <https://qsg.corsair.com/xeneon-monitors>

ПРЕДОСТЕРЕЖЕНИЯ

- Используйте только те принадлежности, которые поставляются с монитором или рекомендуются производителем.
- Сохраните пластиковый упаковочный пакет продукта в недоступном для детей месте.
- Перед подключением монитора к розетке убедитесь в том, что уровень напряжения кабеля питания соответствует спецификации страны вашего проживания.
- Разъем кабеля питания следует подключить к правильно установленной и заземленной розетке.
- Не касайтесь разъема мокрыми руками, так как это может привести к поражению электрическим током.
- Поставьте монитор на устойчивой поверхности в хорошо проветриваемом месте.
- Не размещайте монитор под прямыми солнечными лучами, а также рядом с электрическими радиаторами и другими источниками тепла.
- Отверстия или щели в мониторе предназначены для вентиляции. Ни при каких условиях не закрывайте и не блокируйте вентиляционные отверстия.
- Не располагайте рядом с монитором емкости с водой, напитками или любыми другими жидкостями. В противном случае это может повлечь за собой повреждение монитора или привести к поражению электрическим током.
- Не забудьте отключить монитор от розетки перед его чисткой.
- Так как поверхность экрана легко поцарапать, не касайтесь его твердыми или острыми объектами. Для протирания экрана используйте мягкую безворсовую ткань вместо салфетки. Для очистки оборудования при необходимости можно использовать стеклоочиститель. Никогда не распыляйте стеклоочиститель непосредственно на экран.
- Если оборудование не будет использоваться в течение длительного времени, отключите кабель питания.
- Не пытайтесь самостоятельно разобрать или починить монитор.

КОМПЛЕКТАЦИЯ ДИСПЛЕЯ XENEON 32QHD240



A ПАНЕЛЬ ДИСПЛЕЯ XENEON 32QHD240

B ОПОРНАЯ КОЛОНКА
(ТОЛЬКО ДЛЯ МОДЕЛИ CM-9020002)

C СТОЙКА (ТОЛЬКО ДЛЯ МОДЕЛИ CM-9020002)

D КРЕПЕЖНЫЕ ВИНТЫ (4 ШТ.)

E АДАПТЕР ПЕРЕМЕННОГО ТОКА

F КАБЕЛЬ ПИТАНИЯ ПЕРЕМЕННОГО ТОКА

G КАБЕЛЬ DISPLAYPORT (1,5 М)

H КАБЕЛЬ HDMI (1,5 М)

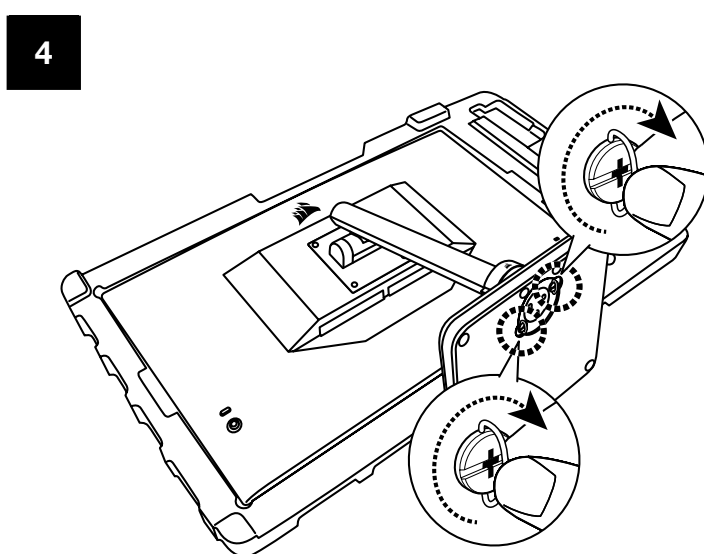
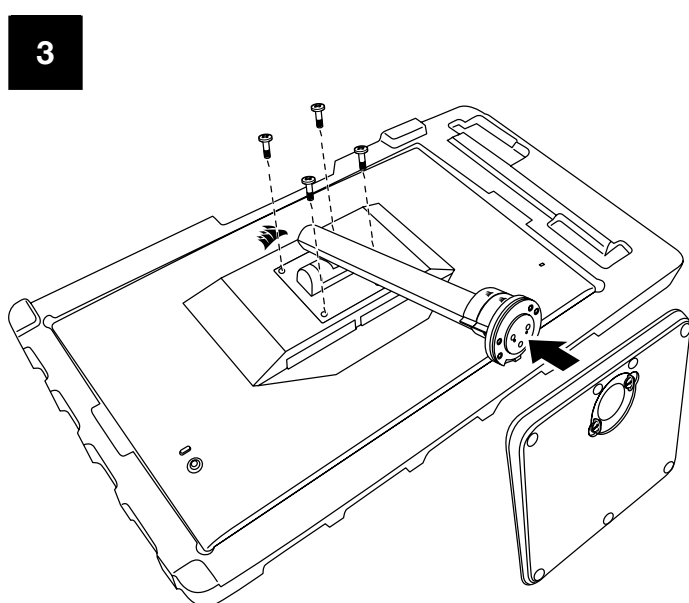
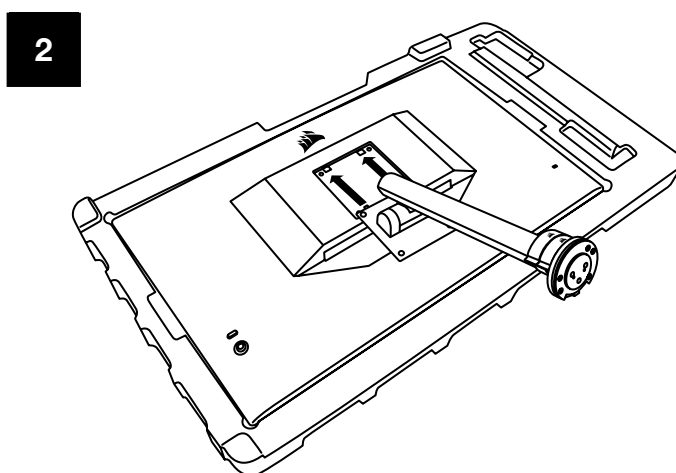
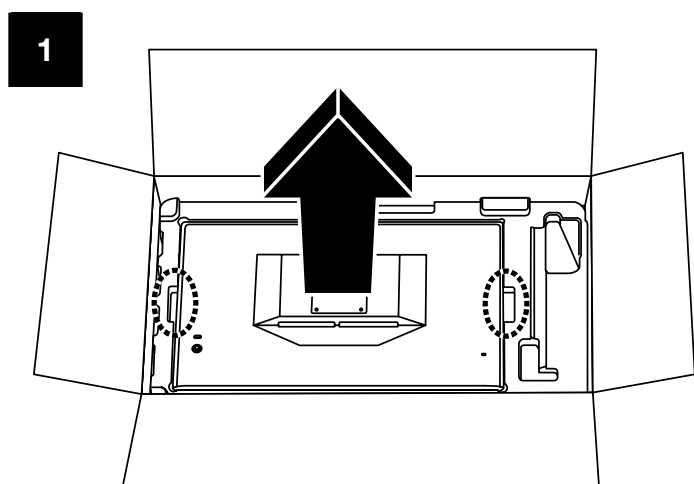
I КАБЕЛЬ USB-C (1,5 М)

J КАБЕЛЬ USB-A — USB-C (1,8 М)

СБОРКА (ТОЛЬКО ДЛЯ МОДЕЛИ CM-9020002)

Перед началом работы приготовьте отвертку со шлицем Филлипс.

1. Снимите верхний слой пеноматериала, содержащий принадлежности и подставку для получения доступа к задней стороне панели.
2. Осторожно откройте прикрывающий панель мешок из пеноматериала (см. изображение 1) для получения доступа к области крепления. Не извлекайте панель из мешка.
3. Совместите опору монитора с крепежными разъемами на задней стороне панели (см. изображение 2). Задвиньте верхние крючки в крепежные разъемы на задней стороне панели. Используя отвертку со шлицем Филлипс, зафиксируйте опору в панели четырьмя винтами (см. изображение 3).
4. Прикрепите основание подставки к опоре монитора (см. изображение 3) и затяните стягивающий барашковый винт в нижней части опоры (см. изображение 4).
5. Осторожно извлеките монитор из упаковки и расположите его вертикально на своем столе. Не касайтесь передней стороны панели при подъеме монитора.



РЕГУЛИРОВКА НАКЛОНА, ПОВОРОТА И ВЫСОТЫ (ТОЛЬКО ДЛЯ МОДЕЛИ CM-9020002)

Ваш дисплей Xeneon оснащен прочной и стильной подставкой, которая позволяет регулировать угол наклона, угол поворота и высоту дисплея.

- Угол наклона регулируется в пределах от -5 до $+20$ градусов
- Угол поворота регулируется в пределах ± 30 градусов
- Высота изменяется в диапазоне 68мм

РЕГУЛИРОВКА НАКЛОНА



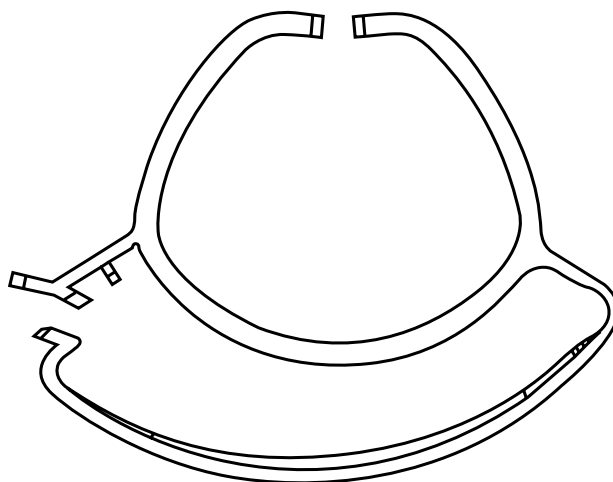
ПОВОРОТА И ВЫСОТЫ



СИСТЕМА ПРОКЛАДКИ КАБЕЛЕЙ RAPIDROUTE (ТОЛЬКО ДЛЯ МОДЕЛИ CM-9020002)



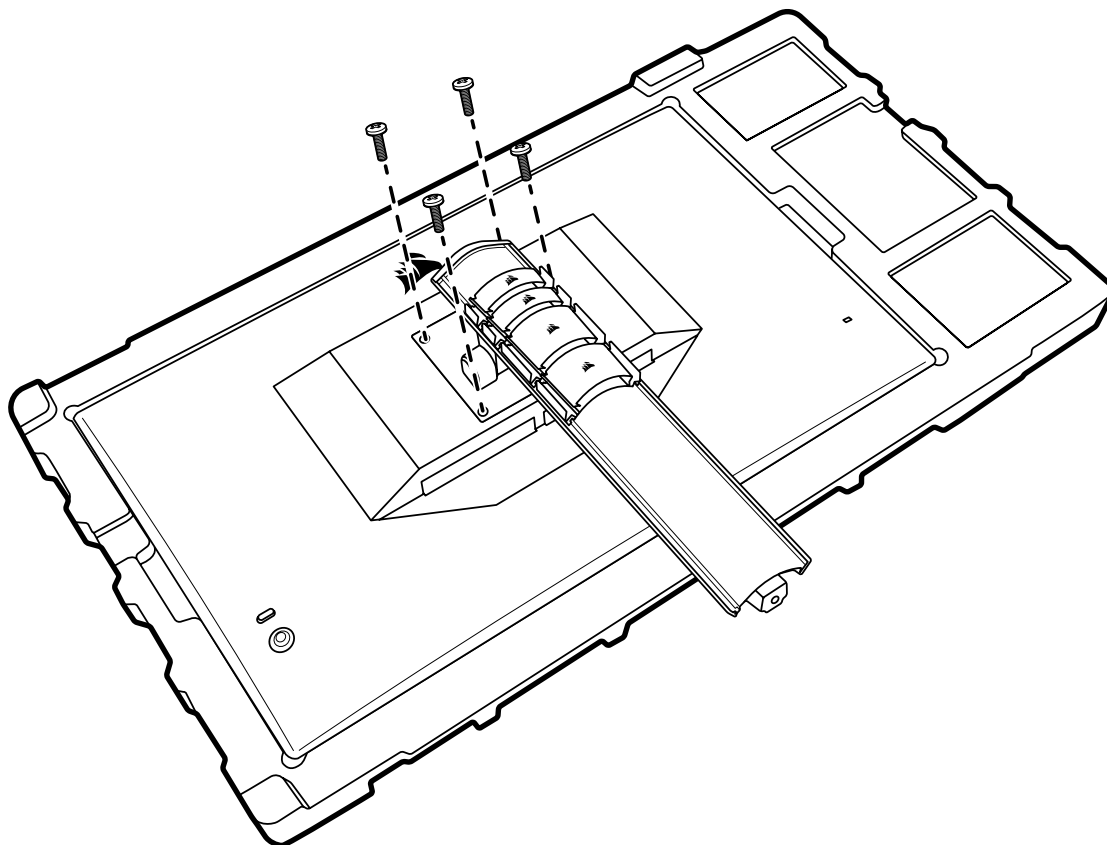
Дисплей Xeon оснащен встроенной системой прокладки кабелей RapidRoute, обеспечивающей порядок на рабочем столе. Система имеет 2 регулируемых кабельных зажима, которые можно перемещать вверх и вниз по стойке монитора, чтобы установить их в нужное положение. Чтобы открыть зажим, отожмите замок влево и потяните за зажимную часть.



СОВМЕСТИМОСТЬ С НАСТЕННЫМИ КРОНШТЕЙНАМИ

Перед установкой дисплея на совместимый настенный кронштейн (VESA 100 × 100мм) убедитесь в соблюдении приведенных ниже условий.

- Подставка откреплена от дисплея с помощью отвертки со шлицем Филлипс
- Приобретенный вами настенный кронштейн способен выдержать вес дисплея

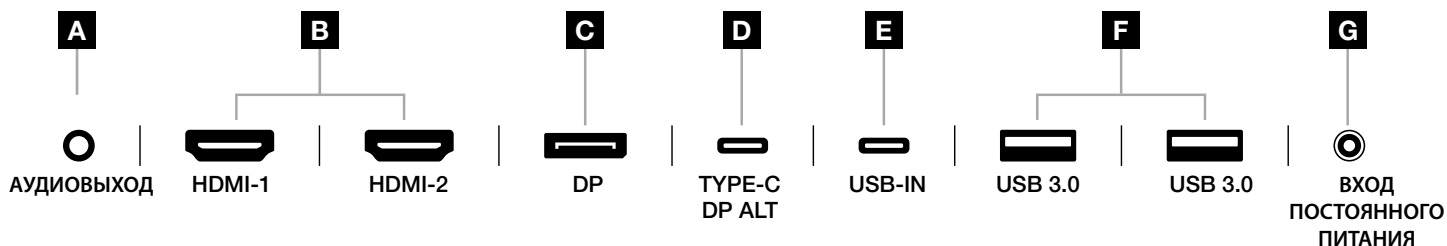


Дополнительную информацию о том, как правильно устанавливать дисплей, см. в предоставляемых с настенным кронштейном инструкциях.

ПРЕДУПРЕЖДЕНИЕ. На задней стороне дисплея расположены четыре крепежных отверстия VESA. Необходимо зафиксировать дисплей на настенном кронштейне с помощью всех четырех отверстий. Если использовать не все отверстия, дисплей может упасть и повредить ваше имущество или стать причиной получения травмы.

Примечание. Винты для настенного кронштейна не входят в комплект. Винты: тип M4, длиной от 14 до 16мм в зависимости от выбранного настенного кронштейна.

ПОДКЛЮЧЕНИЕ



- A. Аудиоразъем на 3,5мм**
Вывод аудио из подключенных устройств HDMI, DisplayPort и USB-C (альт. режим).
- B. Порты HDMI 2.0**
Двойной вход HDMI, соответствующий входам HDMI-1 и HDMI-2.
- C. Порт DisplayPort 1.4**
Вход DisplayPort с маркировкой DisplayPort.
- D. Порт USB Type-C**
Поддержка альт. режима DisplayPort и входа USB восходящего канала (подключается к разъемам USB 3.0). Разъем промаркирован как TYPE-C. Этот разъем или разъем восходящего канала следует подключить к разъему USB на главном устройстве — так вы сможете обеспечить правильную работу CORSAIR iCUE и разъемов USB 3.0 нисходящих каналов USB.
- E. Порты USB-IN**
Входной разъем USB восходящего канала. Этот разъем или разъем Type-C следует подключить к разъему USB на главном устройстве — так вы сможете обеспечить правильную работу CORSAIR iCUE и разъемов USB 3.0 нисходящих каналов.
- F. Порты USB 3.0**
Сдвоенные порты USB Type-A со скоростью 5 Гбит/с.
- G. Вход постоянного питания**
Подключается к входящему в комплект поставки адаптеру переменного тока.

ЭКСПЛУАТАЦИЯ

УПРАВЛЕНИЕ

 — ВКЛЮЧЕНИЕ И ВЫКЛЮЧЕНИЕ ПИТАНИЯ

 — НАЖАТИЕ — Открыть настройки дисплея

ВВЕРХ — Открыть ползунок яркости
ВНИЗ — Открыть меню выбора режима изображения
ВЛЕВО — Открыть ползунок громкости
ВПРАВО — Открыть меню выбора источника сигнала



На задней стороне монитора (в его правой части, если смотреть на монитор спереди) расположен джойстик, который используется для открытия ярлычков и навигации по меню настроек монитора. Обратите внимание: многие из этих настроек также можно изменять в ПО CORSAIR iCUE, если для подключения вы воспользовались USB-концентратором, подключенным к вашему компьютеру с помощью разъема USB IN. Установите актуальную версию iCUE (4.24 или более новую), скачав ее по ссылке <https://www.corsair.com/us/en/icue>.

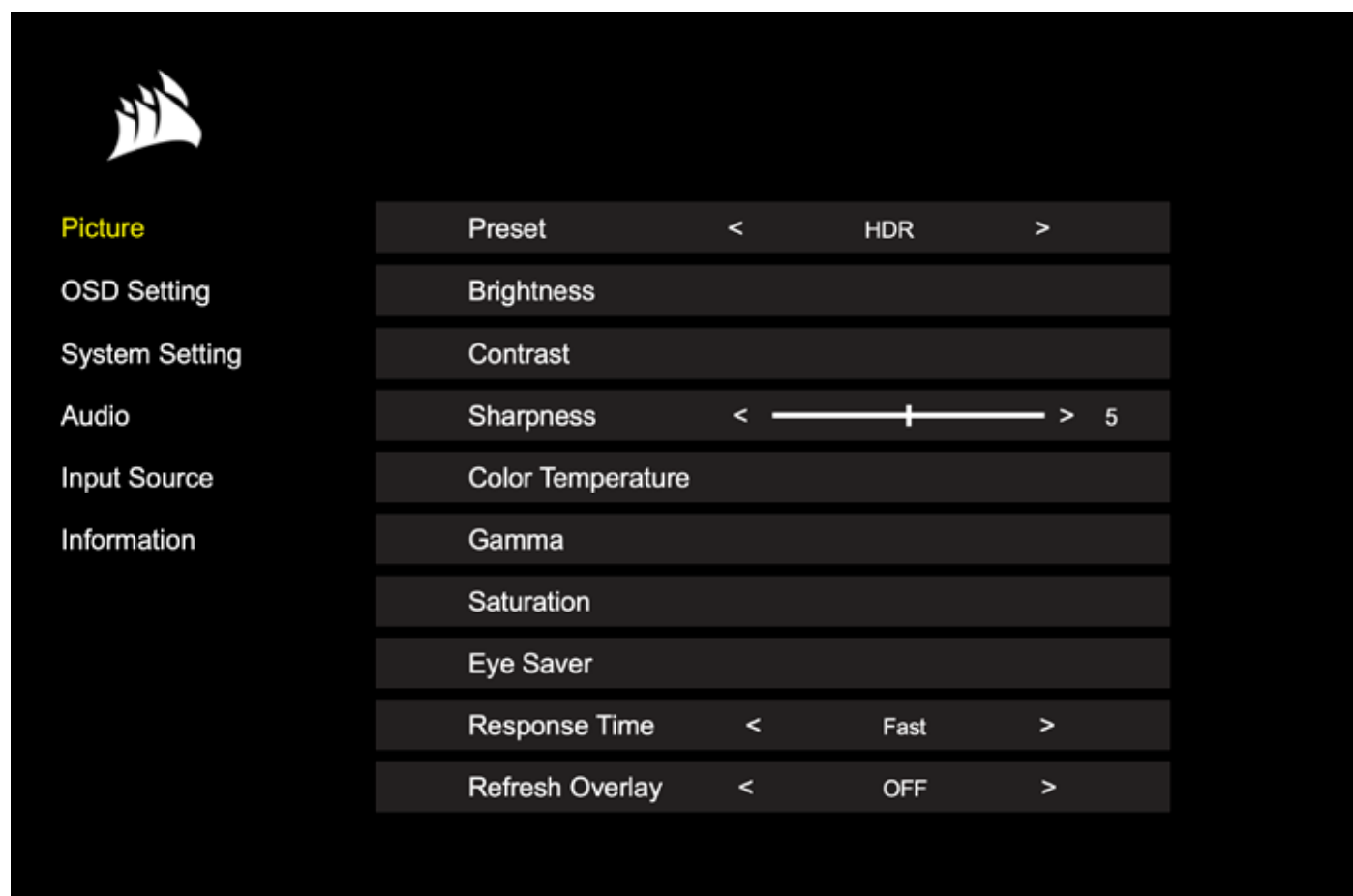
ЭКРАННОЕ МЕНЮ (OSD)

Нажав джойстик, вы получите доступ к настройкам дисплея для вашего монитора. С помощью джойстика можно перемещаться по меню настроек; нажимайте джойстик для подтверждения выбора.

ЭКСПЛУАТАЦИЯ

OSD – НАСТРОЙКИ ИЗОБРАЖЕНИЯ

Первое меню с названием «Изображение» содержит перечисленные ниже параметры настройки, которые помогут скорректировать общее качество изображения.



ЭКСПЛУАТАЦИЯ

OSD – НАСТРОЙКИ ИЗОБРАЖЕНИЯ

НАСТРОЙКИ	ПАРАМЕТРЫ	ОПИСАНИЕ
Режим изображений	Стандартные	Выбирает заводскую предварительно установленную и тщательно откалиброванную настройку дисплея для общего использования с максимальной экономией энергии
	Фильм	Выбирает предварительно установленную настройку дисплея, оптимизированную для просмотра фильмов
	Текст	Выбирает предварительно установленную настройку дисплея, оптимизированную для чтения текста
	sRGB	Выбирает заводскую предварительно установленную и тщательно откалиброванную настройку дисплея для цветового пространства sRGB
	Творчество	Выбирает заводскую предварительно установленную и тщательно откалиброванную настройку дисплея для задач по созданию контента
	Игра	Выбирает предварительно установленную настройку дисплея, оптимизированную для активных игр с быстрыми движениями
	DCI-P3	Выбирает предварительно установленную настройку дисплея, оптимизированную для содержимого HDR в цветовом пространстве DCI-P3
	AdobeRGB	Выбирает предварительно установленную настройку дисплея, оптимизированную для содержимого HDR в цветовом пространстве AdobeRGB
	HDR	Показывает HDR, если в операционной системе выбран режим HDR
Яркость	0-100	Регулирует интенсивность подсветки дисплея
Контраст	0-100	Регулирует контрастность дисплея
Резкость	0-10	Регулирует фильтр увеличения резкости дисплея, увеличивая отчетливость деталей на контурах
Температура цвета	Холодный цвет	Устанавливает цветовую температуру дисплея на значение 9300 K
	Обычный цвет	Устанавливает цветовую температуру дисплея на стандартное значение 6500 K
	Теплый цвет	Устанавливает цветовую температуру дисплея на значение 5000 K
	Пользовательский вариант	Позволяет вручную настроить цветовую температуру дисплея с помощью ползунков для уровней красного, синего и зеленого цветов
Гамма	2.0, 2.2, 2.4	Регулирует соотношение между цветностью и яркостью; по умолчанию — 2,2
Насыщенность	0-10	Регулирует интенсивность цветов дисплея
Защита зрения	ВКЛ. или ВЫКЛ.	При включении снижает излучение синего цвета дисплея
Время отклика	Нормальный режим, ускоренный режим, быстрый режим, скоростной режим, динамическое отображение	Позволяет увеличивать скорость переключения пикселей на различные цвета, что снижает эффект размытия для быстро движущихся объектов
Отображение частоты обновления	ВКЛ. или ВЫКЛ.	Переключает наложение в правом верхнем углу дисплея, на котором отображается текущая частота обновления монитора. Применяется для отслеживания количества кадров в секунду при включении функции Adaptive Sync
Кинематографический отклик	ВКЛ. или ВЫКЛ.	Переключает параметр настройки Moving Picture Response Time (Кинематографический отклик), который при включении может понизить размытие движущихся объектов
Локальное диммирование	ВКЛ. или ВЫКЛ.	Предназначено для выключения определенных компонентов подсветки, что позволяет создать более насыщенный черный цвет и добиться оптимального уровня контраста
Прицел	ВЫКЛ., точка, перекрестье, угол	Включает функцию прицела

ЭКСПЛУАТАЦИЯ

OSD – НАСТРОЙКИ OSD

Второе меню с названием «Настройки OSD» содержит перечисленные ниже параметры настройки, которые помогут скорректировать экранное меню.

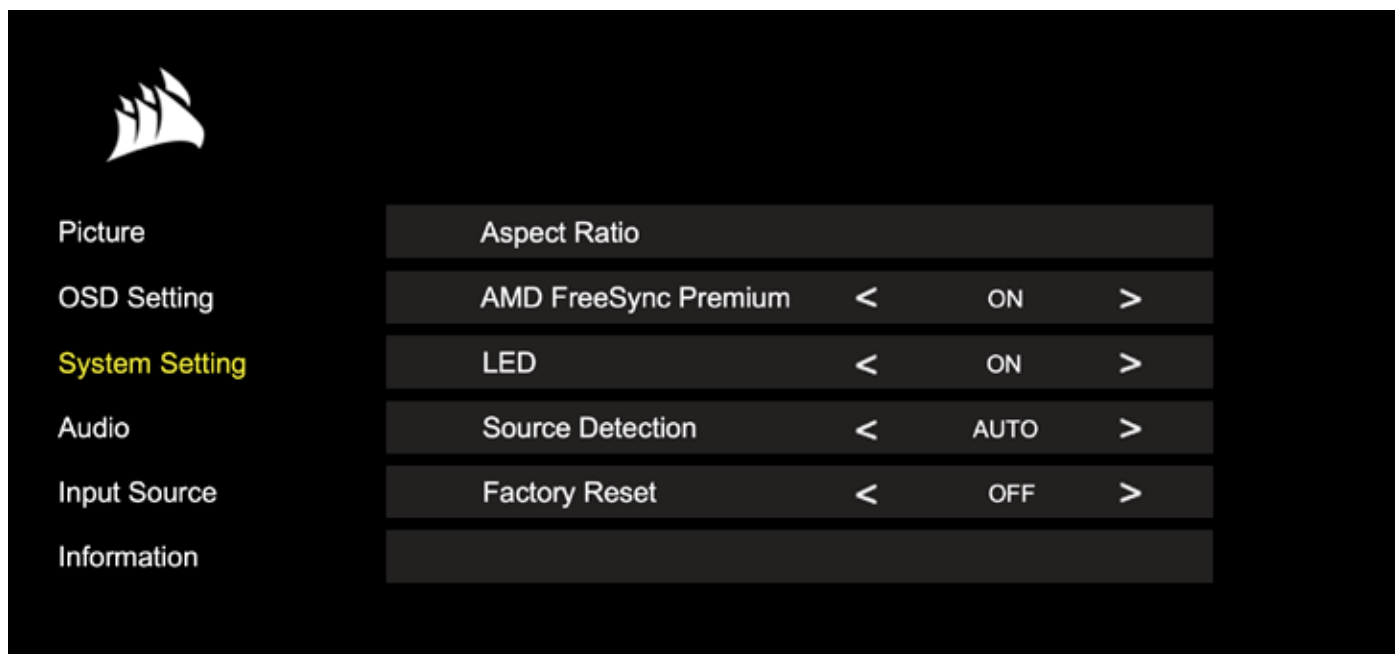


НАСТРОЙКА	ПАРАМЕТРЫ	ОПИСАНИЕ
Язык	English Français Deutsch Italiano Español Português Русский 繁體中文 日本語 한국어	Выбирает язык экранного меню
Прозрачность	Вкл. или Выкл.	Делает экранное меню прозрачным или непрозрачным
Время ожидания	10-60	Задаёт время (в секундах), в течение которого экранное меню остаётся на дисплее

ЭКСПЛУАТАЦИЯ

OSD – НАСТРОЙКА СИСТЕМЫ

Третье меню с названием «Настройка системы» содержит перечисленные ниже параметры настройки, которые помогут скорректировать внутренние настройки дисплея.



ЭКСПЛУАТАЦИЯ

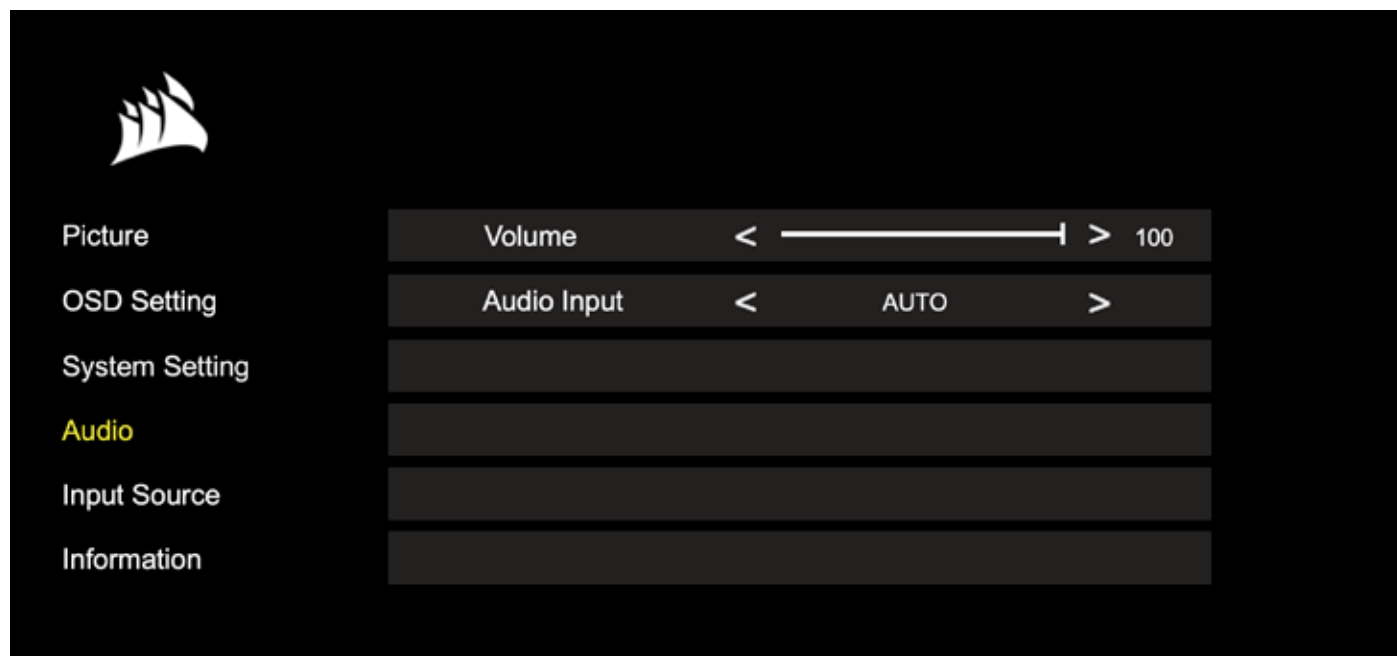
OSD – НАСТРОЙКА СИСТЕМЫ

НАСТРОЙКА	ПАРАМЕТРЫ	ОПИСАНИЕ
Соотношение сторон	Автоматически, 4:3, 16:9	Задаёт соотношение сторон дисплея. Параметр «Автоматически» приведёт к попытке изменения соотношения сторон дисплея в соответствии с входящим видеосигналом. Недоступно при включении поддержки Adaptive Sync
AMD FreeSync Premium	ВКЛ. или ВЫКЛ.	<p>Включает или выключает функциональные возможности Adaptive Sync при подключении к совместимой графической карте. Выберите «ВКЛ.» для поддержки Adaptive Sync по стандарту AMD FreeSync с помощью подключения по HDMI</p> <p>Совместимость с NVIDIA G-Sync доступна при подключении к совместимой графической карте по кабелю DP или по кабелю USB Type-C в альт. режиме. Для использования функциональных возможностей NVIDIA G-Sync выполните приведенные ниже действия</p> <ul style="list-style-type: none"> • Установите и (или) откройте панель NVIDIA • Перейдите в меню настройки G-Sync • Установите флажок включения совместимости с G-Sync • Выберите 32QHD240/RDD0020 • Установите флажок включения параметров для выбранной модели дисплея <p>Для получения доступа к параметрам NVIDIA может потребоваться перезагрузка системы</p>
СВЕТОДИОДНАЯ ПОДСВЕТКА	ВКЛ. или ВЫКЛ.	Включает или выключает фронтальный светодиодный индикатор питания
Определение источника	АВТОМАТИЧЕСКИ или ВРУЧНУЮ	Определяет, будет ли дисплей автоматически переключаться на другой вход при обнаружении сигнала или же необходимо будет вручную переключаться между разными входами
Альт. режим USB-C (доступен только при подключении дисплея с помощью разъема видео USB-C)	4 линии 2 линии	<p>Toggles the number of USB lanes to use on the USB-C port for video</p> <ul style="list-style-type: none"> • Режим 4 линий позволяет использовать разрешение до 2560x1440 с частотой 240 Гц, однако снижает скорость передачи данных через разъемы USB Type-A до скоростей стандарта USB 2.0 • Режим 2 линий позволяет использовать разрешение до 2560x1440 с частотой 120 Гц, однако предоставляет разъемам USB Type-A доступ к скоростям стандарта USB 3.0
Сброс параметров	ВКЛ. или ВЫКЛ.	Сбрасывает все настройки монитора до заводских значений по умолчанию

ЭКСПЛУАТАЦИЯ

OSD – АУДИО

Четвертое меню с названием «Аудио» позволяет контролировать аудиосигнал дисплея.

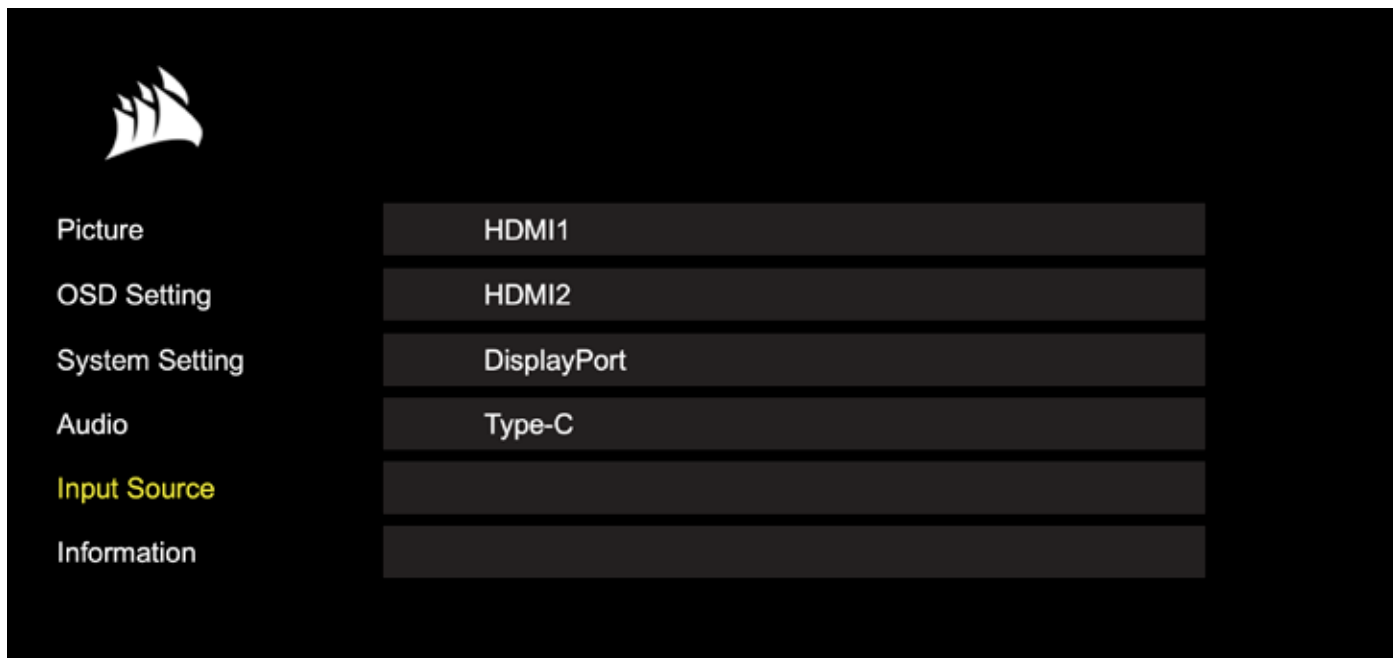


НАСТРОЙКА	ПАРАМЕТРЫ	ОПИСАНИЕ
Громкость	0–100	Регулирует громкость аудиовыхода для разъема наушников
Вход аудио	Auto, HDMI-1, HDMI-2, DisplayPort, USB Type-C	Задает вход, с которого дисплей будет передавать аудиосигнал на разъем наушников. Параметр «Автоматически» приведет к использованию текущего входа

ЭКСПЛУАТАЦИЯ

OSD – ВЫБОР ВХОДА

Пятое меню под названием «Выбор входа» позволяет переключаться между различными входами дисплея.

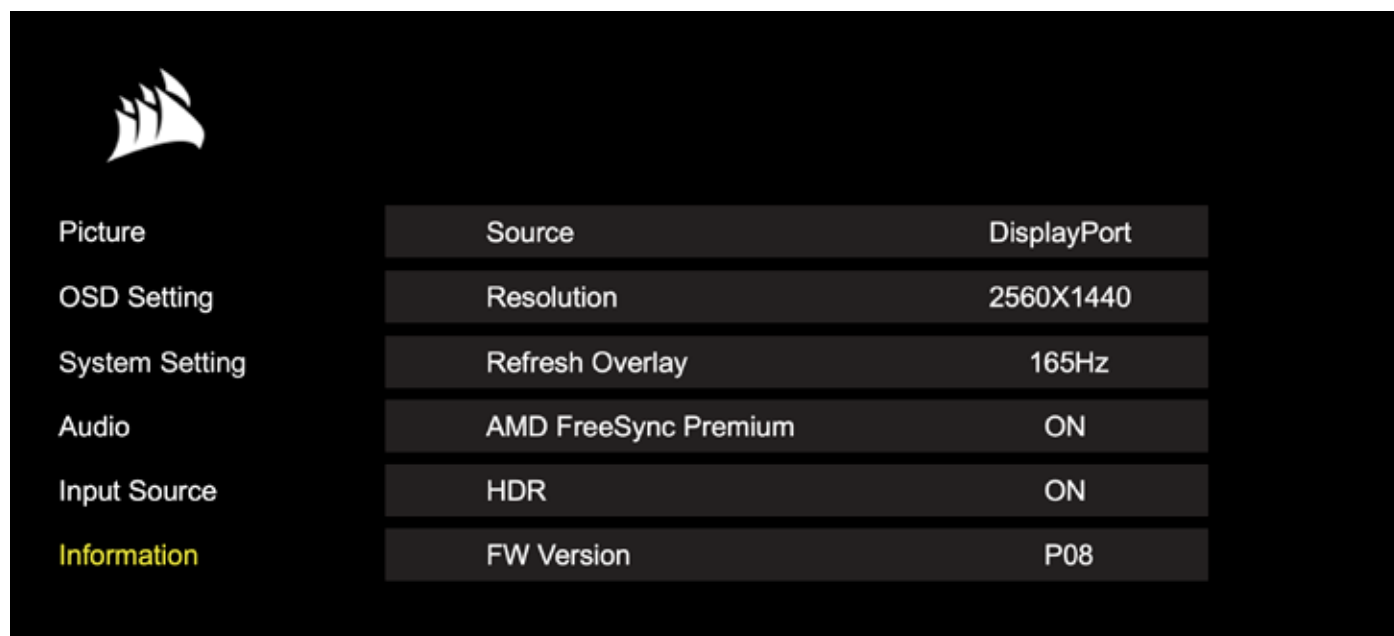


НАСТРОЙКА	ОПИСАНИЕ
HDMI-1	Переключается на устройство, подключенное к разъему HDMI-1
HDMI-2	Переключается на устройство, подключенное к разъему HDMI-2
DisplayPort	Переключается на устройство, подключенное к разъему «DP» DisplayPort
TYPE-C	Переключается на устройство, подключенное к разъему TYPE-C

ЭКСПЛУАТАЦИЯ

OSD – ИНФОРМАЦИЯ

Предоставляет текущее состояние настроек для основных функций.



The screenshot shows the OSD Information menu with a stylized logo at the top left. The menu items and their corresponding values are as follows:

Picture	Source	DisplayPort
OSD Setting	Resolution	2560X1440
System Setting	Refresh Overlay	165Hz
Audio	AMD FreeSync Premium	ON
Input Source	HDR	ON
Information	FW Version	P08

НАСТРОЙКА	ОПИСАНИЕ
Источник	Отображает текущий источник входа
Разрешение	Отображает текущее разрешение дисплея
Отображение частоты обновления	Отображает текущую частоту обновления
AMD FreeSync Premium	Состояние AMD FreeSync Premium
HDR	Состояние HDR
Версия FW	Отображает текущую версию FW

ЭКСПЛУАТАЦИЯ

ВОПРОСЫ И ОТВЕТЫ ОТНОСИТЕЛЬНО ИГРОВОГО МОНИТОРА CORSAIR XENEON 32QHD240

ВОПРОС	ОТВЕТ																							
Светодиод питания не включается	Нажмите расположенную на задней стороне монитора кнопку питания для включения.																							
	Убедитесь в том, что кабель питания полностью подключен к монитору и к адаптеру питания.																							
	Убедитесь в том, что светодиодный индикатор питания включен в меню «OSD — настройка системы».																							
На экране отсутствует изображение	Убедитесь в том, что монитор включен.																							
	Убедитесь в том, что видеокабель полностью подключен к монитору и к источнику сигнала.																							
	Проверьте качество исполнения видеокабеля и убедитесь в отсутствии повреждений на его поверхности. Не используйте низкокачественные удлинители и видеокабели.																							
	Убедитесь в правильности выбора источника сигнала для вашего монитора (функция автоматического обнаружения источника может быть отключена в OSD).																							
	Подключите монитор к другому источнику для проверки работоспособности входа видео.																							
	Подключите источник к другому доступному монитору для проверки выхода видео.																							
Изображение слишком темное или слишком светлое	Отрегулируйте яркость, гамму и контрастность с помощью предложенных в OSD параметров.																							
	Восстановите заводские настройки монитора.																							
Сигнал видео не поддерживается	Убедитесь в правильности параметров выхода видео источника. Игровой монитор CORSAIR XENEON 32QHD240 поддерживает такие варианты входного разрешения:																							
	<table border="1"> <thead> <tr> <th>РАЗРЕШЕНИЕ</th> <th>ЧАСТОТА ОБНОВЛЕНИЯ</th> </tr> </thead> <tbody> <tr> <td>640x480</td> <td>60, 67, 72, 75Hz</td> </tr> <tr> <td>800x600</td> <td>56, 60, 72, 75Hz</td> </tr> <tr> <td>1024x768</td> <td>60, 70, 75Hz</td> </tr> <tr> <td>1280x1024</td> <td>60, 75Hz</td> </tr> <tr> <td>1440x900</td> <td>60Hz</td> </tr> <tr> <td rowspan="2">1680x1050</td> <td>60Hz</td> </tr> <tr> <td>60Hz</td> </tr> <tr> <td rowspan="2">1920x1080</td> <td>60Hz</td> </tr> <tr> <td>144, 165Hz (DP, Type-C)</td> </tr> <tr> <td rowspan="2">2560x1440</td> <td>60, 120, 144Hz</td> </tr> <tr> <td>165, 180, 240Hz (DP, Type-C)</td> </tr> <tr> <td>3840x2160</td> <td>30, 60Hz (для поддержки консоли уменьшенного размера)</td> </tr> </tbody> </table>	РАЗРЕШЕНИЕ	ЧАСТОТА ОБНОВЛЕНИЯ	640x480	60, 67, 72, 75Hz	800x600	56, 60, 72, 75Hz	1024x768	60, 70, 75Hz	1280x1024	60, 75Hz	1440x900	60Hz	1680x1050	60Hz	60Hz	1920x1080	60Hz	144, 165Hz (DP, Type-C)	2560x1440	60, 120, 144Hz	165, 180, 240Hz (DP, Type-C)	3840x2160	30, 60Hz (для поддержки консоли уменьшенного размера)
	РАЗРЕШЕНИЕ	ЧАСТОТА ОБНОВЛЕНИЯ																						
	640x480	60, 67, 72, 75Hz																						
	800x600	56, 60, 72, 75Hz																						
	1024x768	60, 70, 75Hz																						
	1280x1024	60, 75Hz																						
	1440x900	60Hz																						
	1680x1050	60Hz																						
		60Hz																						
	1920x1080	60Hz																						
144, 165Hz (DP, Type-C)																								
2560x1440	60, 120, 144Hz																							
	165, 180, 240Hz (DP, Type-C)																							
3840x2160	30, 60Hz (для поддержки консоли уменьшенного размера)																							

ЭКСПЛУАТАЦИЯ

ВОПРОСЫ И ОТВЕТЫ ОТНОСИТЕЛЬНО ИГРОВОГО МОНИТОРА CORSAIR XENEON 32QHD240

ВОПРОС	ОТВЕТ
Поддерживает ли CORSAIR XENEON 32QHD240 передачу видео через разъем USB-C?	Да, CORSAIR XENEON 32QHD240 поддерживает использование DisplayPort через разъем USB-C посредством специального входа TYPE-C DP ALT. Для достижения наилучших результатов используйте входящий в комплект кабель Type-C длиной 1,5 м или высококачественный кабель USB Type-C, поддерживающий USB 3.2 Gen 2.
При наличии подключения к поддерживаемому альт. режим USB-C устройству с помощью одинарного кабеля USB-C не удается использовать другие устройства, подключенные к разъемам USB-A монитора	Альт. режим USB-C по умолчанию функционирует в режиме «4 линии», при использовании которого осуществляется полноценная поддержка разрешения DisplayPort для передачи данных по USB-C, но отключаются разъемы USB Type-A. Для повторного включения разъемов USB Type-A при подключении исключительно с помощью входа TYPE-C DP ALT переключитесь в режим «2 линии»: поддерживаемое выходное разрешение видео будет ограничено, но разъемы USB Type-A для периферийных устройств, подключаемых к монитору, продолжат функционировать. Кроме того, можно подключить источник к разъему нисходящего канала USB, а также к разъему TYPE-C DP ALT для полноценной поддержки разрешения видео и функциональных возможностей разъема USB. Для достижения наилучших результатов используйте высококачественный кабель USB Type-C, поддерживающий USB 3.2 Gen 2.
Изображение чересчур растянуто или сжато	Проверьте, правильное ли выбрано значение для параметра «Соотношение сторон» в меню «Настройка системы». По умолчанию параметру задан автоматический режим определения, но в некоторых случаях может понадобиться выбрать соотношение сторон вручную (например, при определенной комбинации адаптеров и игровых консолей прошлых поколений).
Существуют проблемы с цветами изображения	Проверьте качество исполнения видеокабеля и убедитесь в отсутствии повреждений на его поверхности. Не используйте низкокачественные удлинители и видеокабели.
	Восстановите заводские настройки монитора.
	Отрегулируйте параметры изображения с помощью OSD.
Изображение на экране отображается с артефактами	Проверьте качество исполнения видеокабеля и убедитесь в отсутствии повреждений на его поверхности.
	Убедитесь в работоспособности источника: возможно, вам потребуется связаться с производителем потенциально неисправной графической карты или игровой консоли.
На мониторе виден битый пиксель	CORSAIR применяет политику нулевого количества битых пикселей для всех своих мониторов. Если в течение трехлетнего гарантийного периода на мониторе будет обнаружен как минимум один светлый пиксель или как минимум шесть темных субпикселей, мы предложим заменить монитор.
Какие виды совместимости поддерживаются для крепления VESA?	CORSAIR XENEON 32QHD240 поддерживает стандартное крепление размером 100 × 100мм; для такого способа крепления следует отсоединить от монитора подставку. Используйте крепежные винты, входящие в комплект крепления VESA.

ЭКСПЛУАТАЦИЯ

ВОПРОСЫ И ОТВЕТЫ ОТНОСИТЕЛЬНО ИГРОВОГО МОНИТОРА CORSAIR XENEON 32QHD240

ВОПРОС	ОТВЕТ
Можно ли установить веб-камеру, камеру DSLR или беззеркальную камеру?	CORSAIR XENEON 32QHD240 поддерживает стандартные веб-камеры, которые крепятся на верхний ободок дисплея.
Монитор CORSAIR XENEON не обнаруживается с помощью CORSAIR iCUE	Убедитесь в том, что на вашем ПК установлена актуальная версия CORSAIR iCUE. Поддержка CORSAIR XENEON 32QHD240 осуществляется в iCUE версии 4.24 и выше.
	Убедитесь в том, что кабель подключен к разъему USB-C восходящего канала монитора и к разъему USB 3.0 вашего ПК. Если это возможно, избегайте подключения монитора через USB-концентратор или удлинитель. Для достижения наилучших результатов настоятельно рекомендуется использовать кабель USB-C, который прилагается к монитору CORSAIR XENEON.
Какие варианты адаптивной частоты обновления доступны для CORSAIR XENEON?	Монитор CORSAIR XENEON 32QHD240 прошел сертификацию по стандарту AMD FreeSync Premium и совместим с технологией NVIDIA G-SYNC.
Не включается AMD FreeSync и (или) G-SYNC	Убедитесь в том, что использование AMD FreeSync включено в OSD.
	Изучите параметры вашей графической карты и убедитесь в том, что в настройках включена поддержка AMD FreeSync и (или) NVIDIA G-SYNC. AMD FreeSync функционирует при подключении через любые порты видео. Совместимость с NVIDIA G-Sync поддерживается только при подключении через DP или через DP USB Type-C в альт. режиме.
Не удается достичь номинальной частоты обновления монитора 240 Гц	Проверьте, правильные ли системные параметры дисплея и графической карты выбраны, а также выберите частоту обновления 240 Гц. Просмотрите доступные поддерживаемые режимы отображения в приложении.
	Проверьте качество исполнения видеокабеля и убедитесь в отсутствии повреждений на его поверхности. Не используйте низкокачественные удлинители и видеокабели.

ПРИЛОЖЕНИЕ

ТЕХНИЧЕСКИЕ ХАРАКТЕРИСТИКИ

Название продукта	XENEON 32QHD240
Номер изделия	Со стойкой CM-9020002-XX Без стойки CM-9020004-XX
Устройство	RDD0020
Идентификатор USB-концентратора	CORSAIR USB 3.0 Hub
Размер панели	Диагональ — 32 дюйма
Экран дисплея	Антибликовая технология
Пиксели на дюйм	91.8
Соотношение сторон	16:9
Стандартное разрешение	2560 x 1440 @ 240Hz
Время отклика (MPRT)	1ms
Время отклика (GtG)	5ms
Цвета дисплея	16.7М цветов (8 бит, RGB)
Технологические параметры панели	IPS с технологией Quantum Dot
Отсутствие мерцания	Да
Угол обзора	178° (H) / 178° (V)
Пиковая яркость	400 нит (SDR) / 600 нит (HDR)
Статический коэффициент контраста	1000:1
Сертификация HDR	VESA DisplayHDR 600
Цветовая палитра (CIE 1976)	98% (DCI-P3), 100% (AdobeRGB), 100% (sRGB)
Переменная частота обновления	AMD — сертификация по стандарту FreeSync Premium; совместимость с NVIDIA G-Sync
Вход HDMI	HDMI 2.0 (2 шт.)
Вход DisplayPort	DisplayPort 1.4 (1 шт.)
Вход USB-C	DisplayPort 1.4 (альт. режим USB-C, 1 шт.), с подачей питания 15 Вт, передача данных по нисходящему каналу USB 5 Гбит/с
Вход USB C (восходящий)	USB-C 5 Гбит/с (1 шт.)
Выход USB-A	USB Type-A 5 Гбит/с, 5 В, 0,9 А (2 шт.)
Аудиоразъем на 3,5мм	Есть, сквозной порт через вход видеосигнала

ПРИЛОЖЕНИЕ

ТЕХНИЧЕСКИЕ ХАРАКТЕРИСТИКИ

Энергопотребление (вкл.)	40W
Энергопотребление (спящий режим)	<0.5W
Энергопотребление (выкл.)	<0.3W
Совместимость с VESA	100mm x 100mm
Размеры	732mm x 553mm x 270mm (W x H x D)
Масса	8.4kg
Наклон стойки	-5° / +20°
Поворот стойки	-30° / +30°
Диапазон регулировки высоты стойки	68mm
Адаптер переменного тока	150W
	Примечание: ваши устройства используют следующий блок питания: Asian Power Devices Inc. / DA-150E19

ПОДДЕРЖИВАЕМЫЕ РЕЖИМЫ ДИСПЛЕЯ

РАЗРЕШЕНИЕ		ЧАСТОТА ОБНОВЛЕНИЯ	HDMI	DP/TYPE-C
640x480	VGA	60Hz	V	V
		67Hz	V	V
		72Hz	V	V
		75Hz	V	V
800x600	SVGA	56Hz	V	V
		60Hz	V	V
		72Hz	V	V
		75Hz	V	V
1024x768	XGA	60Hz	V	V
		70Hz	V	V
		75Hz	V	V

ПРИЛОЖЕНИЕ

ПОДДЕРЖИВАЕМЫЕ РЕЖИМЫ ДИСПЛЕЯ

РАЗРЕШЕНИЕ		ЧАСТОТА ОБНОВЛЕНИЯ	HDMI	DP/TYPE-C
1280x1024	SXGA	60Hz	V	V
		75Hz	V	V
1440x900	WXGA+	60Hz	V	V
1680x1050	WSXGA+	60Hz	V	V
1920x1080	FHD	60Hz	V	V
		144Hz		V
		165Hz		V
2560x1440	QHD	60Hz	V	V
		120Hz	V	V
		144Hz	V	V
		165Hz		V
		180Hz		V
		240Hz		V
480P	60Hz	V	V	
576P	50Hz	V	V	
720P	50Hz	V	V	
	60Hz	V	V	
	120Hz	V	V	
1080P	60Hz	V	V	
	120Hz	V	V	
2160P	30Hz	V	V	
	60Hz	V	V	

ОБНАРОДОВАНИЕ ИНФОРМАЦИИ ОБ HDMI

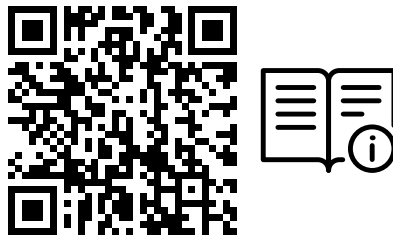


HDMI

Термины HDMI, HDMI High-Definition Multimedia Interface, фирменный стиль HDMI и логотип HDMI являются товарными знаками или зарегистрированными товарными знаками компании HDMI Licensing Administrator, Inc.

目錄

注意事項	2
包裝內容	3
組件	4
傾斜、旋轉和高度調整	5
纜線管理、相機支座 (選用) 與其他安裝選項	6
連接能力	8
操作	9
控制	9
螢幕上顯示 (OSD)	9
OSD – 圖片設定	10
OSD – OSD 設定	12
OSD – 系統設定	13
OSD – 音訊	15
OSD – 輸入選取	16
OSD – 資訊	17
常見問題 / 疑難排解	18
附錄	21
技術規格	21
支援的顯示模式	22
HDMI 法律披露	24



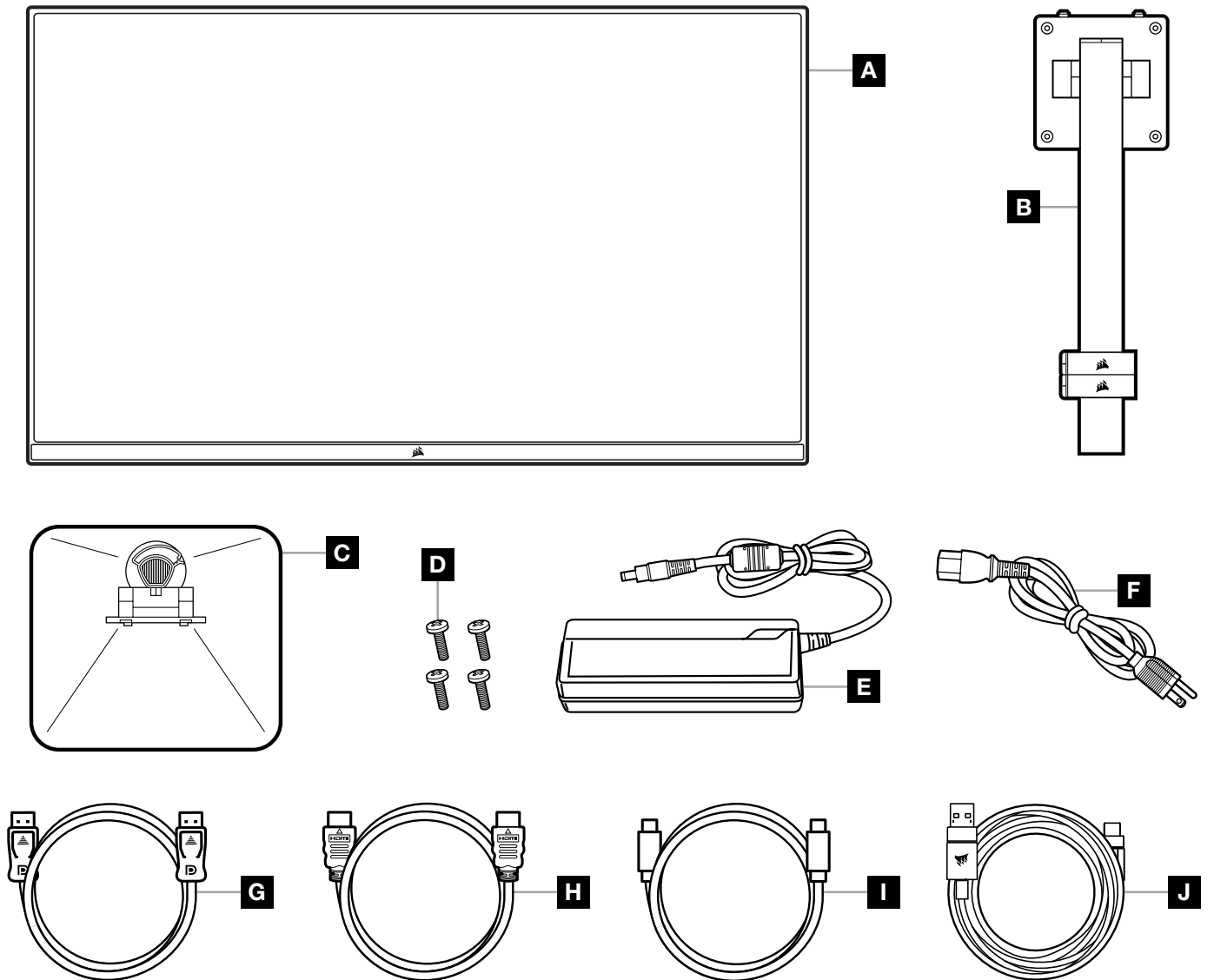
掃描 QR 代碼查看快速入門指南和設定影片

產品設定、使用者資訊和保固/壞點政策請見
<https://qsg.corsair.com/xeneon-monitors>

注意事項

- 僅使用螢幕隨附或製造商建議使用的配件。
- 將產品的塑膠包裝袋存放在兒童無法觸及的地方。
- 將螢幕連接至電源插座之前，確認電源線的額定電壓與您所在國家的電力規格相容。
- 電源線插頭必須正確連接至有線的接地電源插座。
- 請勿以濕的雙手觸碰插頭，否則很容易造成觸電。
- 將螢幕置於穩定且通風良好的地方。
- 請勿將螢幕置於任何熱源附近，例如電散熱器或陽光直射處。
- 螢幕上的孔洞或開口用於通風。請勿以任何物品覆蓋或阻擋通風孔。
- 請勿在水、飲料或任何液體類型附近使用螢幕。若無法這麼做，可能會造成觸電或損壞螢幕。
- 清潔之前，務必從電源插座拔下螢幕插頭。
- 由於螢幕表面很容易刮傷，請避免以任何堅硬或尖銳的物品觸碰表面。使用不含棉絨的柔軟布料擦拭螢幕，不要使用面紙。如有需要，您可以使用玻璃清潔劑清潔設備。不過，請勿將清潔劑直接噴灑在螢幕上。
- 若設備長時間沒有在使用，請拔除電源線。
- 請勿嘗試自行拆解或維修螢幕。

XENEON 32QHD240 顯示器內容



A XENEON 32QHD240 顯示器面板

B 安裝柱 (僅適用 CM-9020002)

C 支架 (僅適用 CM-9020002)

D 安裝螺絲 (x4)

E 變壓器

F 電源線

G DISPLAYPORT 纜線 (1.5 公尺)

H HDMI 纜線 (1.5 公尺)

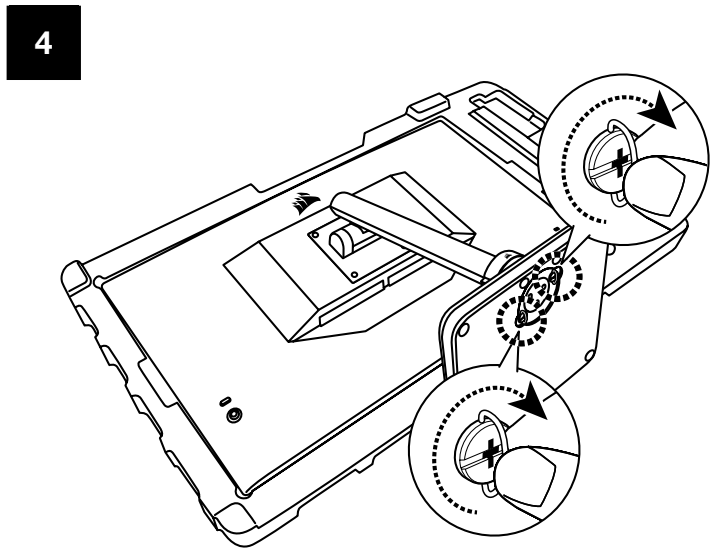
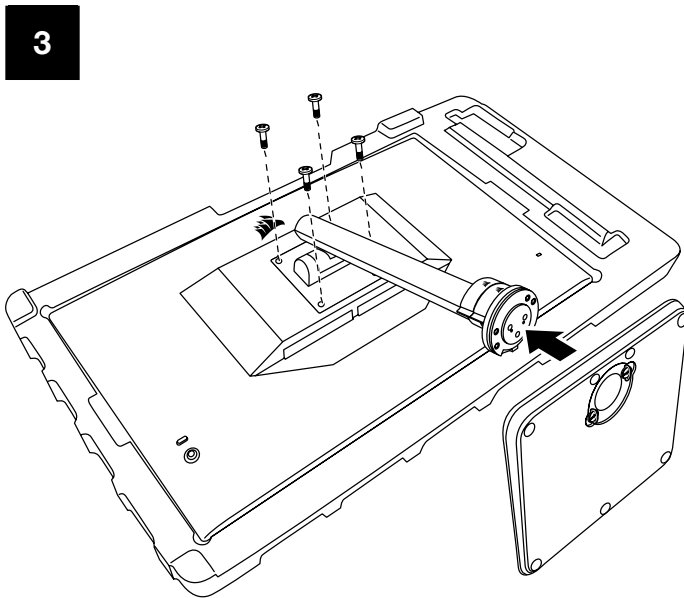
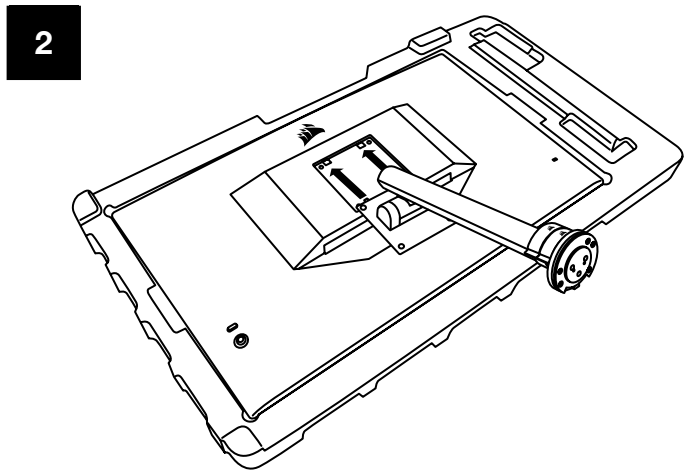
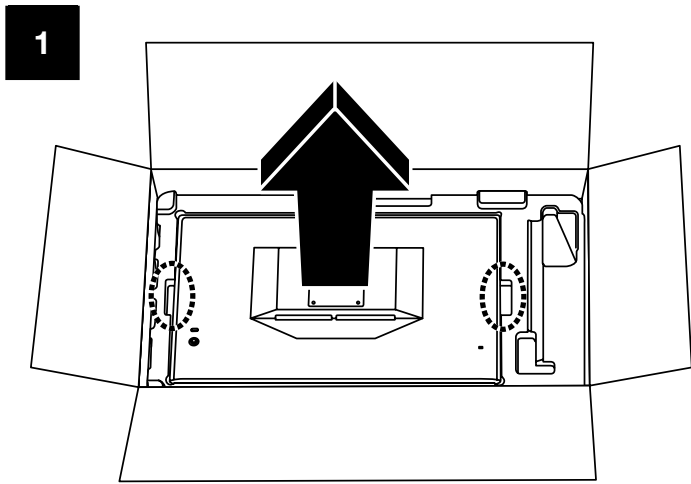
I USB-C 纜線 (1.5 公尺)

J USB-A 轉 USB-C 纜線 (1.8 公尺)

組件 (僅適用 CM-9020002)

在開始之前，需要十字頭螺絲起子。

1. 取出包括配備和支架的泡棉頂層，以露出面板後側。
2. 小心開啟覆蓋面板的泡棉袋 (參見圖 1) 以露出安裝區域。請勿從泡棉袋拆下面板。
3. 對齊螢幕支柱與面板後側的安裝槽 (參見圖 2)。將上方勾子滑進面板後側的安裝槽。使用十字頭螺絲起子，以 4 個螺絲將支柱固定在面板上 (參見圖 3)。
4. 將支架底座連接至螢幕支柱 (參見圖 3) 並將專用指旋螺絲緊緊旋入支柱底部 (參見圖 4)。
5. 緩慢地從包裝中取出螢幕，並直立放在桌上。抬起螢幕時，請勿觸碰面板前側。



傾斜、旋轉和高度調整 (僅適用於 CM-9020002)

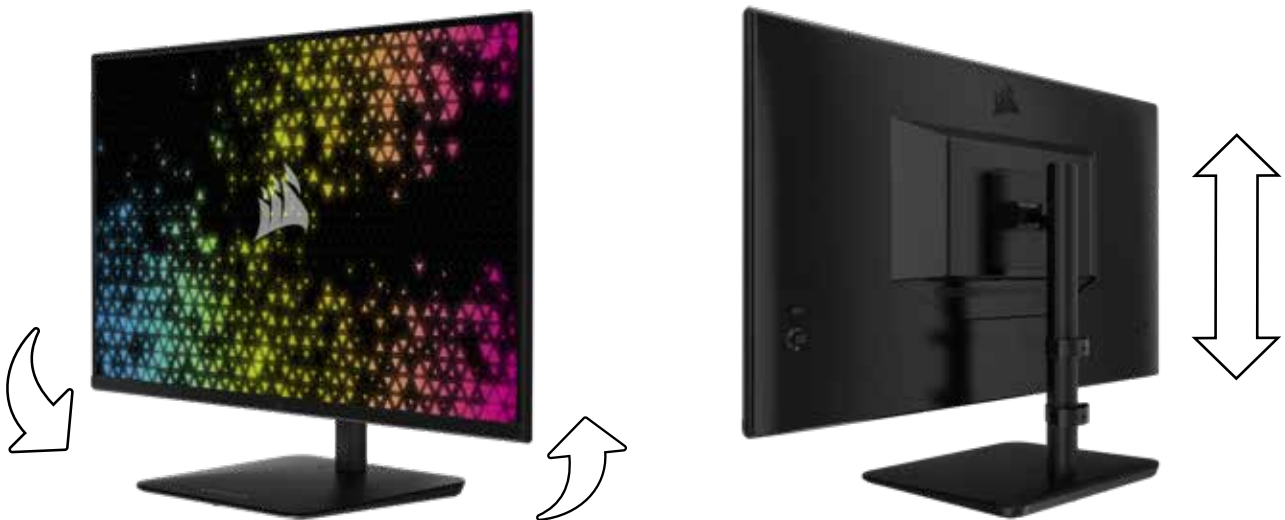
Xeneon 顯示器的特點是堅固且時尚的支架，可用來調整傾斜、旋轉和高度。

- 傾斜 -5 / +20 度
- 旋轉 ±30 度
- 高度調整範圍 68mm

傾斜



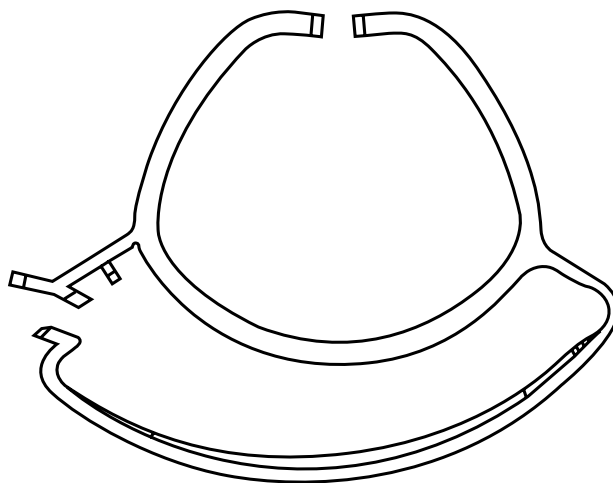
旋轉和高度調整



RAPIDROUTE 纜線管理 (僅適用於 CM-9020002)



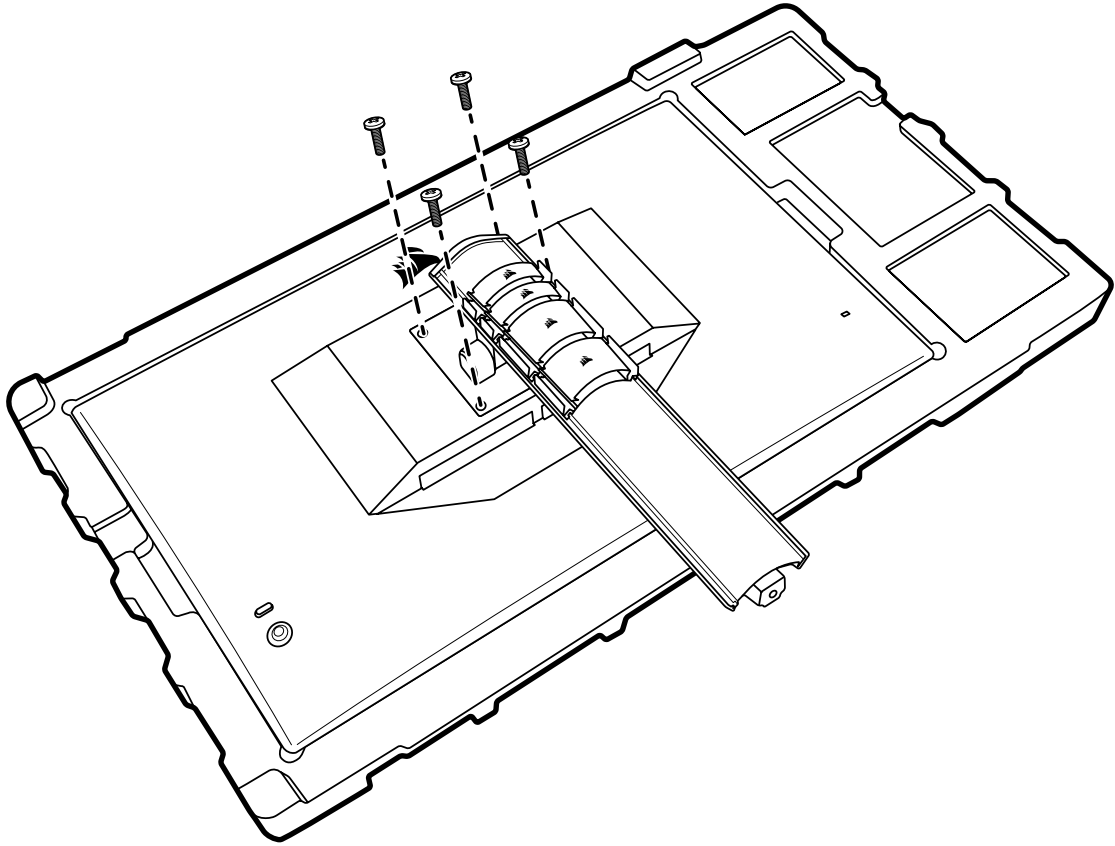
Xeneon 顯示器具有內建 RapidRoute 纜線管理，以保持桌面整潔。有 2 個可調式纜線夾可向上和向下滑動螢幕支柱，以便自訂您的纜線管理需求。向左按住姆指扣環並拉開纜線夾，以開啟每個纜線夾。



壁掛架相容性

使用相容的壁掛架 (VESA 100mm x 100mm) 安裝顯示器之前,請確認:

- 您已使用十字頭螺絲起子從顯示器拆下支架
- 您購買的壁掛架支援此顯示器的重量

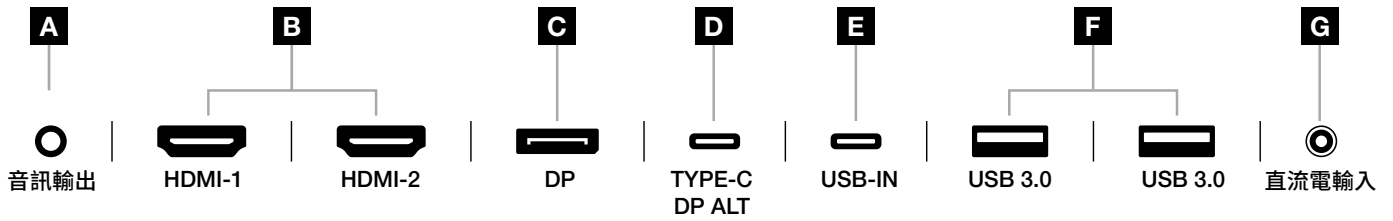


檢閱壁掛架隨附的說明,瞭解更多關於如何正確安裝顯示器的資訊。

警告: 顯示器背面具具有四個 VESA 安裝孔。您必須將壁掛架支架固定在全部四個孔。若您沒有使用全部四個孔,顯示器可能會掉落,造成財產損失或人員受傷。

注意: 不含壁掛架螺絲。螺絲:類型 M4,14mm 至 16mm 長度,視壁掛架而定。

連接能力



- A. 3.5mm 音訊插孔**
來自連接的 HDMI、DisplayPort 和 USB-C Alt 模式裝置的音訊輸出。
- B. HDMI 2.0 連接埠**
雙 HDMI 輸入對應至「HDMI-1」和「HDMI-2」輸入。
- C. DisplayPort 1.4 連接埠**
DisplayPort 輸入對應至「DisplayPort」輸入。
- D. USB Type-C 連接埠**
支援 DisplayPort Alt 模式和上游 USB 輸入 (連接至 USB 3.0 連接埠)。對應至「TYPE-C」輸入。此連接埠或 USB 上游連接埠必須連接至主機裝置上具有 USB 功能的連接埠，才能支援 CORSAIR iCUE 功能和下游 USB 3.0 連接埠。
- E. USB-IN 連接埠**
上游 USB 輸入連接埠。此連接埠或 USB Type-C 連接埠必須連接至主機裝置上具有 USB 功能的連接埠，才能支援 CORSAIR iCUE 功能和下游 USB 3.0 連接埠。
- F. USB 3.0 連接埠**
雙 Type-A 5Gbps USB 連接埠。
- G. 直流電輸入**
連接至隨附的交流電轉接器。

操作

控制



—— 電源開啟/關閉



—— 按下 — 開啟顯示器設定

向上 — 開啟亮度滑塊
 向下 — 開啟圖片模式選取
 向左 — 開啟音量滑塊
 向右 — 開啟輸入來源選取



您的螢幕包括後側搖桿，可在您的右側開啟捷徑並導覽顯示器設定。請注意，若您有已透過 USB 輸入連接埠連接至電腦的 USB 集線器，也可以在 CORSAIR iCUE 軟體中控制其中許多設定。請安裝最新版本的 iCUE (4.24 或更高版本)，可在 <https://www.corsair.com/us/en/icue> 取得。

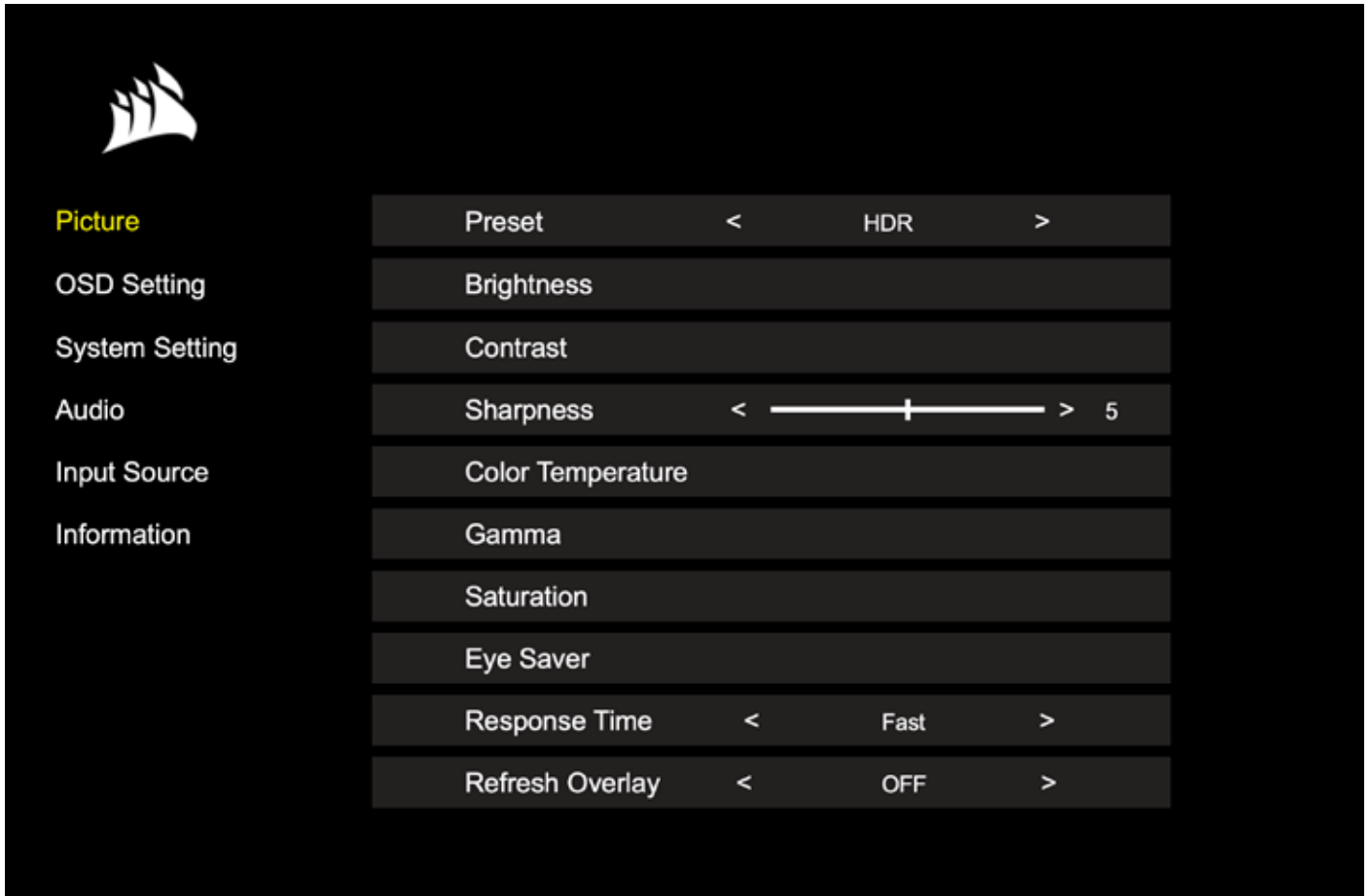
螢幕上顯示 (OSD)

向內按下搖桿後，可以存取螢幕的顯示器設定。您可以使用搖桿導覽設定，而向內按下搖桿將會確認選項。

操作

OSD – 圖片設定

標籤為「圖片」的第一個功能表包含下列用於調整整體圖片品質的設定。



操作

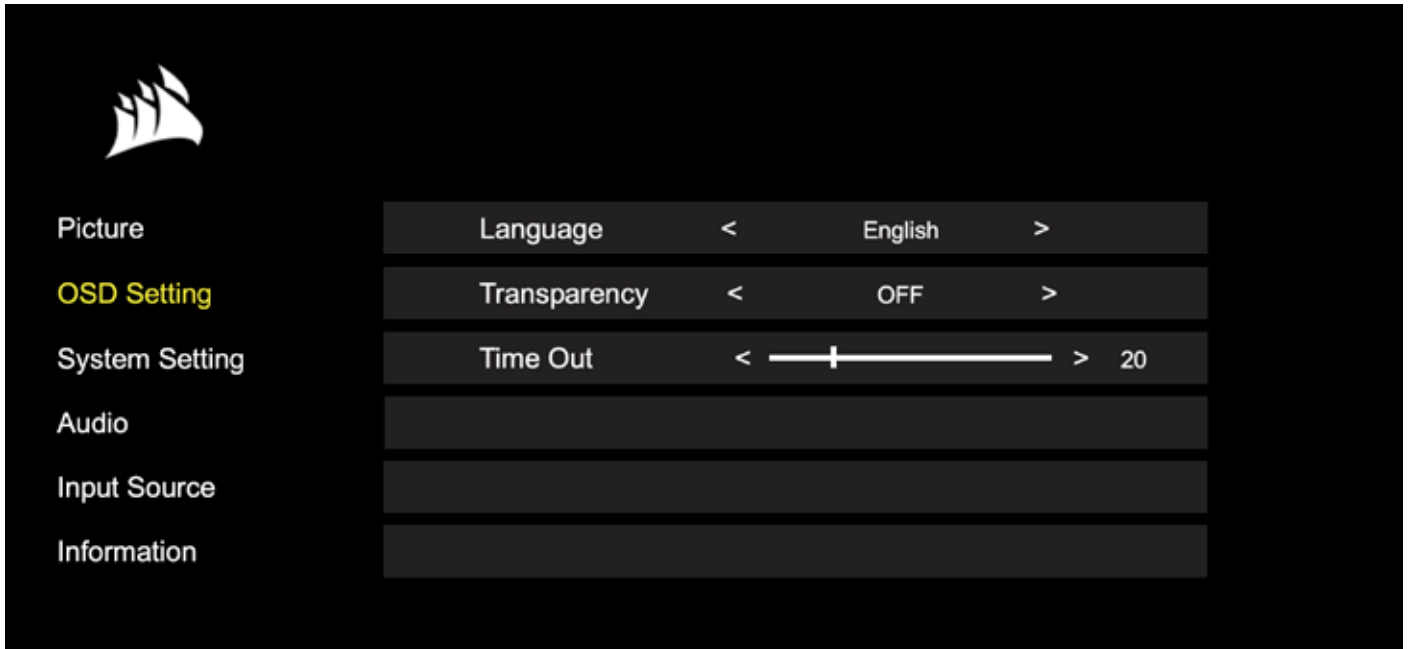
OSD – 圖片設定

設定	選項	說明
圖片模式	標準	一般使用和最佳節能而校準的顯示原廠預設
	影片	觀看影片而最佳化的顯示器預設
	文字	閱讀文字而最佳化的顯示器預設
	sRGB	sRGB 色彩空間而校準的顯示原廠預設
	創意	內容建立任務而校準的顯示原廠預設
	遊戲	進行快速移動的遊戲而最佳化的顯示器預設
	DCI-P3	DCI-P3 色彩空間中 HDR 內容而最佳化的顯示器預設
	AdobeRGB	AdobeRGB 色彩空間中 HDR 內容而最佳化的顯示器預設
	HDR	在作業系統顯示設定中選取 HDR 模式時顯示 HDR
亮度	0-100	調整顯示器背光強度
對比度	0-100	調整顯示器的對比度
清晰度	0-10	調整顯示器的清晰濾鏡，增加邊緣細節
色溫	冷	將顯示器的色溫設定為 9300K
	普通	將顯示器的色溫設定為標準 6500K
	暖	將顯示器的色溫設定為 5000K
	自訂	可讓您使用控制紅色、藍色、和綠色程度的滑塊手動設定顯示器的色溫
色差補正	2.0, 2.2, 2.4	調整色彩和亮度之間的關係；預設為 2.2
飽和度	0-10	調整顯示器色彩濃度
護眼	開啟或關閉	在啟用後降低顯示器的藍光散發量
回應時間	普通、快速、更快、最快、動態 OD	讓您增加像素可以在色彩之間轉換的速度，這可以讓快速移動的物件降低模糊程度
重新整理重疊	開啟或關閉	切換顯示螢幕目前更新率的右上角重疊，啟用適應性同步後，這對追蹤每秒畫面播放速率很實用
MPRT	開啟或關閉	切換「移動圖片回應時間」設定，若設定為「開啟」，可以讓移動的物件降低模糊程度
局部調光	開啟或關閉	關閉特定背光部分以獲得更深的黑色和更好的對比度
十字形狀	關閉、點、十字、角度	啟用十字形狀功能

操作

OSD – OSD 設定

標籤為「OSD 設定」的第二個功能表包含下列用於調整螢幕上顯示的設定。

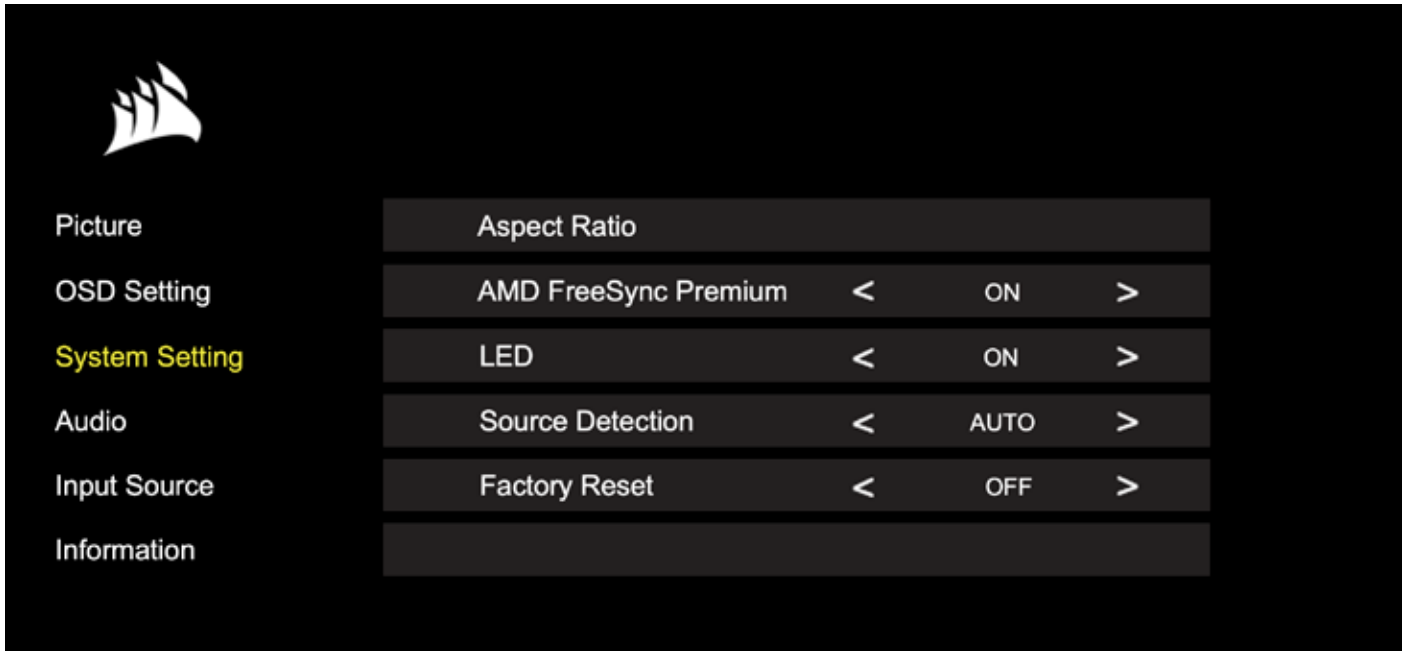


設定	選項	說明
語言	English Français Deutsch Italiano Español Português Русский 繁體中文 日本語 한국어	選取 OSD 的語言
透明度	開啟或關閉	將 OSD 設定為透明或不透明
逾時	10-60	調整 OSD 在消失前保留在螢幕上的時間 (以秒為單位)

操作

OSD – 系統設定

標籤為「系統設定」的第三個功能表包含下列用於調整顯示器內部設定的設定。



操作

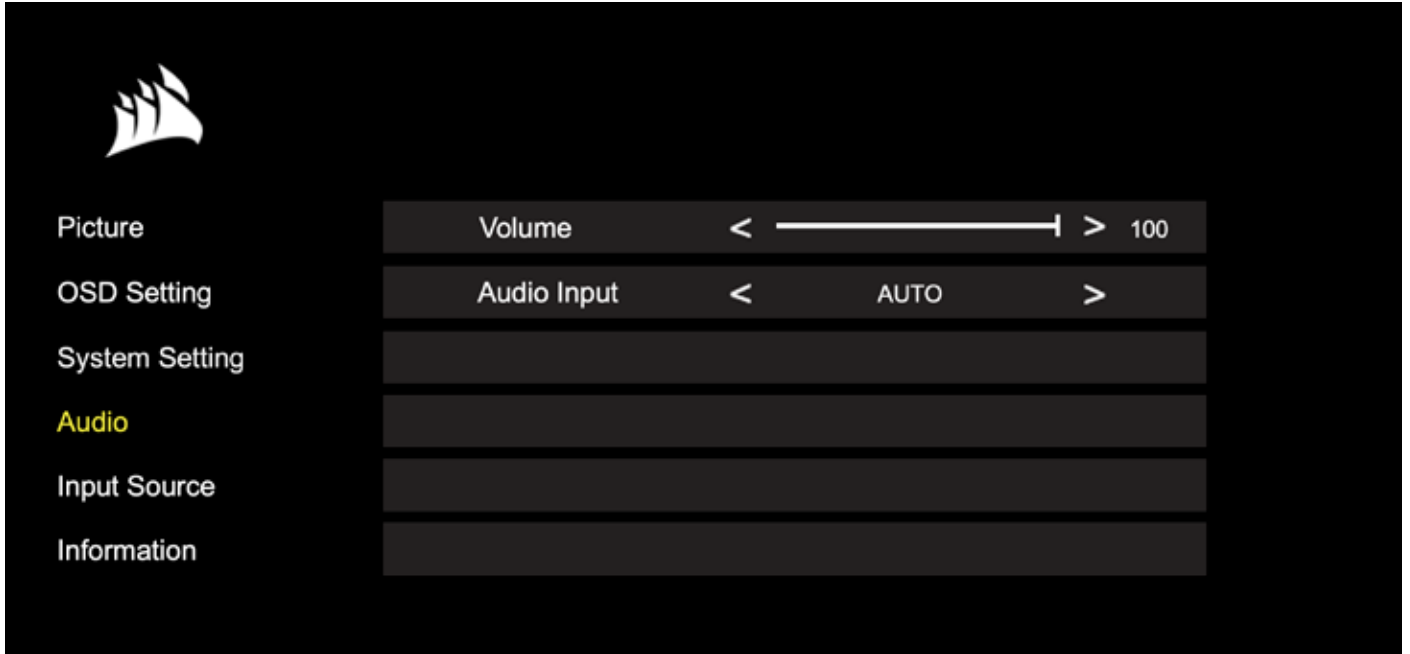
OSD – 系統設定

設定	選項	說明
長寬比	自動、4:3、16:9	選取顯示器的長寬比。「自動」將會嘗試比對顯示器的長寬比與傳入的影片訊號。不適用於適應性同步啟用時
AMD FreeSync Premium	開啟或關閉	<p>在連接至相容的 GPU 時啟用或停用適應性同步功能。選取 ON (開啟) 以透過 HDMI 啟用 AMD FreeSync 的適應性同步</p> <p>透過 DP 纜線或 USB Type-C Alt 模式纜線連接至相容的 GPU 時，NVIDIA G-Sync 相容性可用。對於 NVIDIA G-Sync 功能：</p> <ul style="list-style-type: none"> • 安裝/開啟 NVIDIA 控制面板 • 選取「設定 G-Sync」 • 選取「啟用與 G-Sync 相容」核取方塊 • 選取 32QHD240/RDD0020 • 選取「啟用所選顯示器型號的設定」核取方塊 <p>可能需要系統重新啟動才能存取 NVIDIA 設定</p>
LED	開啟或關閉	選取正面電源 LED 指示燈 ON (開啟) 或 OFF (關閉)
來源偵測	自動或手動	判定顯示器若偵測到訊號，是否將會自動切換為不同的輸入，或者您是否需要在輸入之間手動切換
USB-C Alt 模式 (只有在透過 USB-C 視訊連接埠連接顯示器時才存在)	4 通道 2 通道	<p>切換 USB 通道數量以在觀看影片時用於 USB-C 連接埠</p> <ul style="list-style-type: none"> • 4 通道模式最高允許 2560x1440@240Hz 解析度，但會降低 USB Type-A 連接埠到 USB 2.0 的速度 • 2 通道模式最高允許 2560x1440@120Hz 解析度，但會降低 USB Type-A 在 USB 3.0 的速度
原廠重設	開啟或關閉	將所有螢幕設定重設為原廠預設

操作

OSD – 音訊

標籤為「音訊」的第四個功能表可讓您控制顯示器的音訊。

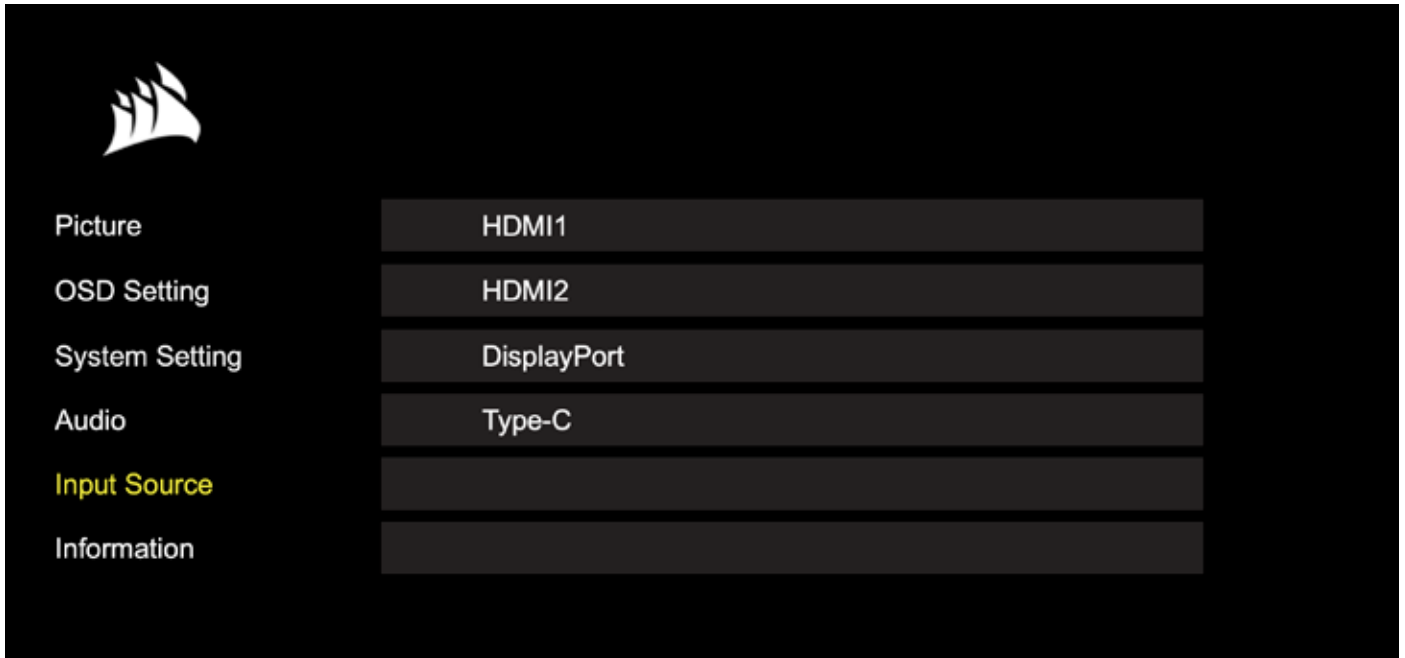


設定	選項	說明
音量	0-100	調整來自耳機插孔的音訊輸出音量
音訊輸入	自動、HDMI-1、HDMI-2、DisplayPort、USB Type-C	選取顯示器從哪個輸入將音訊傳遞至耳機插孔。「自動」將會使用目前輸入

操作

OSD – 輸入選取

標籤為「輸入選取」的第五個功能表可讓您在顯示器的不同輸入之間切換。

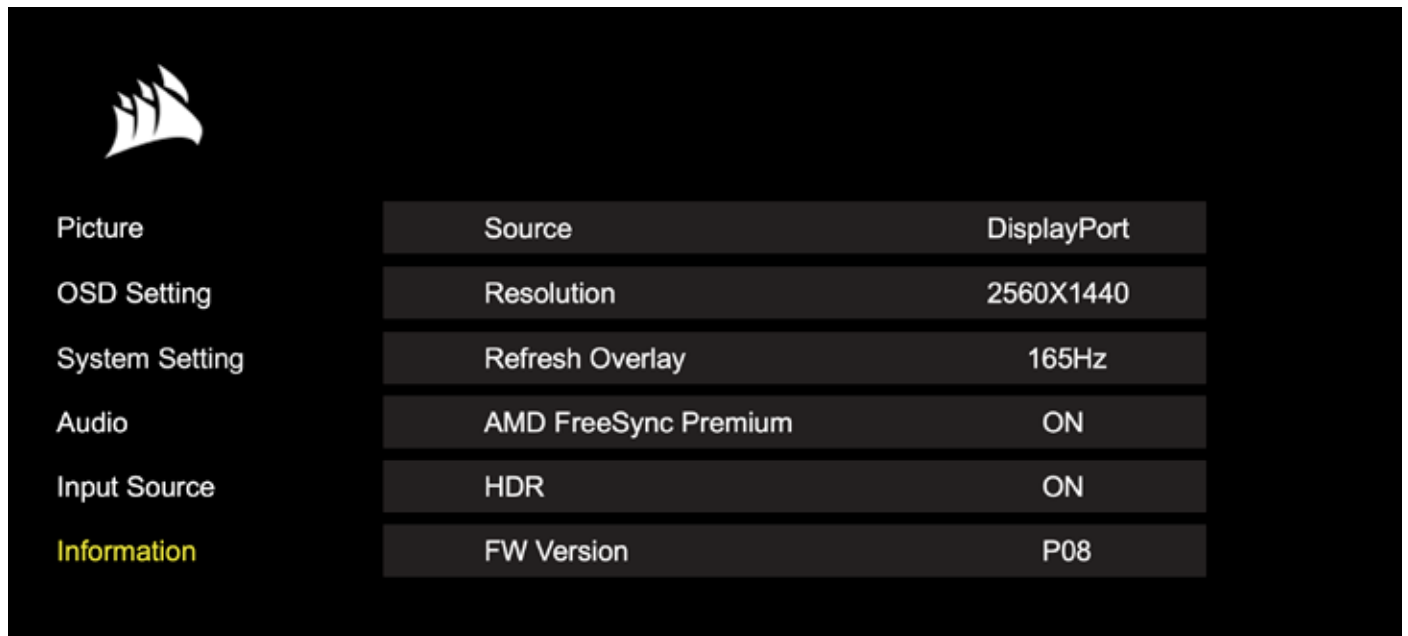


設定	說明
HDMI-1	切換為連接至 HDMI-1 連接埠的裝置
HDMI-2	切換為連接至 HDMI-2 連接埠的裝置
DisplayPort	切換為連接至「DP」DisplayPort 連接埠的裝置
TYPE-C	切換為連接至 TYPE-C 連接埠的裝置

操作

OSD – 資訊

提供按鍵功能的目前設定狀態。



The screenshot shows the OSD Information menu with a stylized flame icon at the top left. The menu items and their corresponding values are as follows:

Picture	Source	DisplayPort
OSD Setting	Resolution	2560X1440
System Setting	Refresh Overlay	165Hz
Audio	AMD FreeSync Premium	ON
Input Source	HDR	ON
Information	FW Version	P08

設定	說明
來源	顯示目前的輸入來源
解析度	顯示目前的顯示器解析度
重新整理重疊	顯示目前的更新率
AMD FreeSync Premium	AMD FreeSync Premium 狀態
HDR	HDR 狀態
FW 版本	顯示目前的 FW 版本

操作

CORSAIR XENEON 32QHD240 電競螢幕常見問題

問題	回答																						
電源 LED 燈沒有亮起	按下螢幕背面的電源按鈕，以檢查是否設定為 ON (開啟)																						
	檢查電源線是否完全插入到螢幕和變壓器																						
	確認 OSD 系統設定功能表中的電源 LED 切換已切換為開啟																						
螢幕上沒有影像	檢查螢幕是否開啟																						
	檢查視訊纜線是否正確連接至螢幕和來源裝置																						
	檢查視訊纜線的品質並確保沒有損壞。避免使用低品質視訊纜線和延長線																						
	檢查螢幕設定為哪個視訊來源輸入 (若 OSD 中停用了自動來源功能)																						
	連接另一個來源裝置以測試螢幕視訊輸入																						
	將來源裝置連接至另一個可用螢幕以測試視訊輸出																						
	避免熱插拔螢幕。先將螢幕連接至來源，再讓來源裝置通電																						
影像太亮/太暗	透過 OSD 調整亮度/色差補正/對比度設定																						
	將螢幕重設為原廠設定																						
不支援視訊訊號	檢查來源裝置的視訊輸出設定。CORSAIR XENEON 32QHD240 電競螢幕支援的輸入解析度為：																						
	<table border="1"> <thead> <tr> <th>解析度</th> <th>更新率</th> </tr> </thead> <tbody> <tr> <td>640x480</td> <td>60, 67, 72, 75Hz</td> </tr> <tr> <td>800x600</td> <td>56, 60, 72, 75Hz</td> </tr> <tr> <td>1024x768</td> <td>60, 70, 75Hz</td> </tr> <tr> <td>1280x1024</td> <td>60, 75Hz</td> </tr> <tr> <td>1440x900</td> <td>60Hz</td> </tr> <tr> <td>1680x1050</td> <td>60Hz</td> </tr> <tr> <td rowspan="2">1920x1080</td> <td>60Hz</td> </tr> <tr> <td>144, 165Hz (DP, Type-C)</td> </tr> <tr> <td rowspan="2">2560x1440</td> <td>60, 120, 144Hz</td> </tr> <tr> <td>165, 180, 240Hz (DP, Type-C)</td> </tr> <tr> <td>3840x2160</td> <td>30, 60Hz (用於縮小比例的主控台支援)</td> </tr> </tbody> </table>	解析度	更新率	640x480	60, 67, 72, 75Hz	800x600	56, 60, 72, 75Hz	1024x768	60, 70, 75Hz	1280x1024	60, 75Hz	1440x900	60Hz	1680x1050	60Hz	1920x1080	60Hz	144, 165Hz (DP, Type-C)	2560x1440	60, 120, 144Hz	165, 180, 240Hz (DP, Type-C)	3840x2160	30, 60Hz (用於縮小比例的主控台支援)
	解析度	更新率																					
	640x480	60, 67, 72, 75Hz																					
	800x600	56, 60, 72, 75Hz																					
	1024x768	60, 70, 75Hz																					
	1280x1024	60, 75Hz																					
	1440x900	60Hz																					
	1680x1050	60Hz																					
	1920x1080	60Hz																					
144, 165Hz (DP, Type-C)																							
2560x1440	60, 120, 144Hz																						
	165, 180, 240Hz (DP, Type-C)																						
3840x2160	30, 60Hz (用於縮小比例的主控台支援)																						

操作

CORSAIR XENEON 32QHD240 電競螢幕常見問題

問題	回答
CORSAIR XENEON 32QHD240 是否透過 USB-C 支援視訊？	是, CORSAIR XENEON 32QHD240 藉由專用的 TYPE-C DP ALT 輸入, 透過 USB-C 支援 DisplayPort。使用隨附的 1.5m Type-C 纜線或支援 USB 3.2 第 2 代的高品質 USB Type-C 纜線, 可獲得最佳結果。
使用單一 USB-C 纜線連接至支援 USB-C Alt 模式的裝置時, 我無法使用連接至螢幕上 USB-A 連接埠的裝置	依照預設, USB-C Alt 模式將會以「4 通道」模式操作, 這可透過 USB-C 提供完整的 DisplayPort 解析度, 不過這會停用 USB Type-A 連接埠。若要在僅透過 TYPE-C DP ALT 輸入連接時重新啟用 USB Type-A 連接埠, 請切換至「2 通道」模式, 這將會限制支援的視訊輸出解析度, 以便重新啟用 USB Type-A 連接埠, 將周邊設備連接至螢幕的 USB Type-A 連接埠。或者, 您可以將來源裝置連接至 USB 下游連接埠以及 TYPE-C DP ALT 連接埠, 以獲得完整視訊解析度和 USB 連接埠功能。務必使用支援 USB 3.2 第 2 代的高品質 USB Type-C 纜線, 以獲得最佳結果。
影像被拉伸/擠壓	在「系統設定」之下檢查「長寬比」設定。依照預設, 這設定為「自動」, 不過在特定情況下, 您可能需要手動設定長寬比 (例如: 轉接器和復古遊戲主控台的特定組合)。
影像有顏色問題	檢查視訊纜線的品質並確保沒有損壞。避免使用低品質視訊纜線和延長線。
	將螢幕重設為原廠設定。
	透過 OSD 調整圖片設定。
螢幕上影像有假影	檢查視訊纜線的品質並確保沒有損壞。
	檢查來源裝置, 如有故障的顯示卡或遊戲主控台, 可能需要聯絡製造商尋求協助。
螢幕有壞點	CORSAIR 對螢幕產品提供「零壞點」政策, 若在 3 年保固期間發現 1 個或多個亮點或 6 個以上的暗子像素, 將會更換螢幕。
哪一種 VESA 支座可相容？	CORSAIR XENEON 32QHD240 支援標準 100mm x 100mm 支座, 必須從支架取下螢幕顯示器部分。使用 VESA 支座隨附的安裝螺絲。

操作

CORSAIR XENEON 32QHD240 電競螢幕常見問題

問題	回答
是否可以安裝網路攝影機或 DSLR / 無反光鏡相機？	CORSAIR XENEON 32QHD240 支援置於顯示器頂端框架的標準網路攝影機。
CORSAIR iCUE 沒有偵測到我的 CORSAIR XENEON 螢幕	檢查您的電腦是否已安裝最新版本的 CORSAIR iCUE。iCUE 版本 4.24 或更高版本支援 CORSAIR XENEON 32QHD240。
	檢查纜線是否連接至螢幕上的 USB-C 上游連接埠以及電腦的 USB 3.0 連接埠是否正確連接。如果可能，請避免透過 USB 集線器或延長線連接螢幕。我們強烈建議使用 CORSAIR XENEON 螢幕隨附的 USB-C 纜線，以獲得最佳結果。
哪些適應性重新整理頻率選項可用於 CORSAIR XENEON？	CORSAIR XENEON 32QHD240 獲得 AMD FreeSync Premium 認證，也與 NVIDIA G-SYNC 相容。
未啟用 AMD FreeSync / G-SYNC	確認已透過 OSD 啟用 AMD FreeSync。
	檢查顯示卡設定，並確保已啟用 AMD FreeSync / NVIDIA G-SYNC。AMD FreeSync 可透過任何視訊連接埠運作。NVIDIA G-Sync 相容性僅可透過 DP 或 USB Type-C Alt 模式 DP 運作。
我沒有獲得螢幕額定的 240Hz 重新整理頻率	檢查顯示卡/系統顯示設定並確保已啟用 240Hz 重新整理頻率。請查看附錄中的支援顯示模式表，瞭解可用選項。
	檢查視訊纜線的品質並確保沒有損壞。避免使用低品質視訊纜線和延長線。

附錄

技術規格

產品名稱	XENEON 32QHD240
零件編號	含支架 CM-9020002-XX 不含支架 CM-9020004-XX
裝置	RDD0020
USB 集線器 ID	CORSAIR USB 3.0 Hub
面板尺寸	32" 對角線
顯示器表面	無眩光
每英寸像素	91.8
長寬比	16:9
原生解析度	2560 x 1440 @ 240Hz
回應時間 (MPRT)	1ms
回應時間 (GtG)	5ms
顯示器色彩	16.7M 色彩 (8bit RGB)
面板技術	IPS, 採用量子點技術
無閃爍	是
觀看角度	178° (H) / 178° (V)
峰值亮度	400 nit (SDR) / 600 nit (HDR)
靜態對比率	1000:1
HDR 憑證	VESA DisplayHDR 600
色域圖 (CIE 1976)	98% (DCI-P3), 100% (AdobeRGB), 100% (sRGB)
可變重新整理頻率	AMD FreeSync Premium 認證, 與 NVIDIA G-Sync 相容
HDMI 輸入	2 個 HDMI 2.0
DisplayPort 輸入	1 個 DisplayPort 1.4
USB-C 輸入	1 個 DisplayPort 1.4 (USB-C Alt 模式), 15W 電力傳輸, USB 5Gbps 資料上游
USB-C 上游輸入	1 個 5Gbps USB-C
USB-A 輸出	2 個 5Gbps Type-A USB (5V/0.9A *2)
3.5mm 音訊	是, 來自影片輸入的通道

附錄

技術規格

耗電量 (開啟)	40W
耗電量 (睡眠)	<0.5W
耗電量 (關閉)	<0.3W
VESA 相容性	100mm x 100mm
尺寸	732mm x 553mm x 270mm (W x H x D)
重量	8.4kg
支架傾斜角度	-5° / +20°
支架轉環	-30° / +30°
支架高度調整範圍	68mm
變壓器	150W
	注意:您的裝置使用下列電源: Asian Power Devices Inc. / DA-150E19

支援的顯示模式

解析度		更新率	HDMI	DP/TYPE-C
640x480	VGA	60Hz	V	V
		67Hz	V	V
		72Hz	V	V
		75Hz	V	V
800x600	SVGA	56Hz	V	V
		60Hz	V	V
		72Hz	V	V
		75Hz	V	V
1024x768	XGA	60Hz	V	V
		70Hz	V	V
		75Hz	V	V

附錄

支援的顯示模式

解析度		更新率	HDMI	DP/TYPE-C
1280x1024	SXGA	60Hz	V	V
		75Hz	V	V
1440x900	WXGA+	60Hz	V	V
1680x1050	WSXGA+	60Hz	V	V
1920x1080	FHD	60Hz	V	V
		144Hz		V
		165Hz		V
2560x1440	QHD	60Hz	V	V
		120Hz	V	V
		144Hz	V	V
		165Hz		V
		180Hz		V
		240Hz		V
480P	60Hz	V	V	
576P	50Hz	V	V	
720P	50Hz	V	V	
	60Hz	V	V	
	120Hz	V	V	
1080P	60Hz	V	V	
	120Hz	V	V	
2160P	30Hz	V	V	
	60Hz	V	V	

HDMI 法律披露



HDMI

HDMI、HDMI High-Definition Multimedia Interface等詞彙、HDMI 商業外觀及 HDMI 標識均為 HDMI Licensing Administrator, Inc. 的商標或註冊商標。

目次

事前の注意	2
同梱物	3
組み立て	4
傾斜、左右回転、高さの調整	5
ケーブル管理、Camera Mount (オプション)、その他の取り付けオプション	6
接続性	8
動作	9
制御	9
オンスクリーンディスプレイ (OSD)	9
OSD – 画像設定	10
OSD – OSD 設定	12
OSD – システム設定	13
OSD – オーディオ	15
OSD – 入力選択	16
OSD – 情報	17
よくある質問 / トラブルシューティング	18
付録	21
技術仕様	21
サポートされているディスプレイモード	22
HDMI 法的開示	24



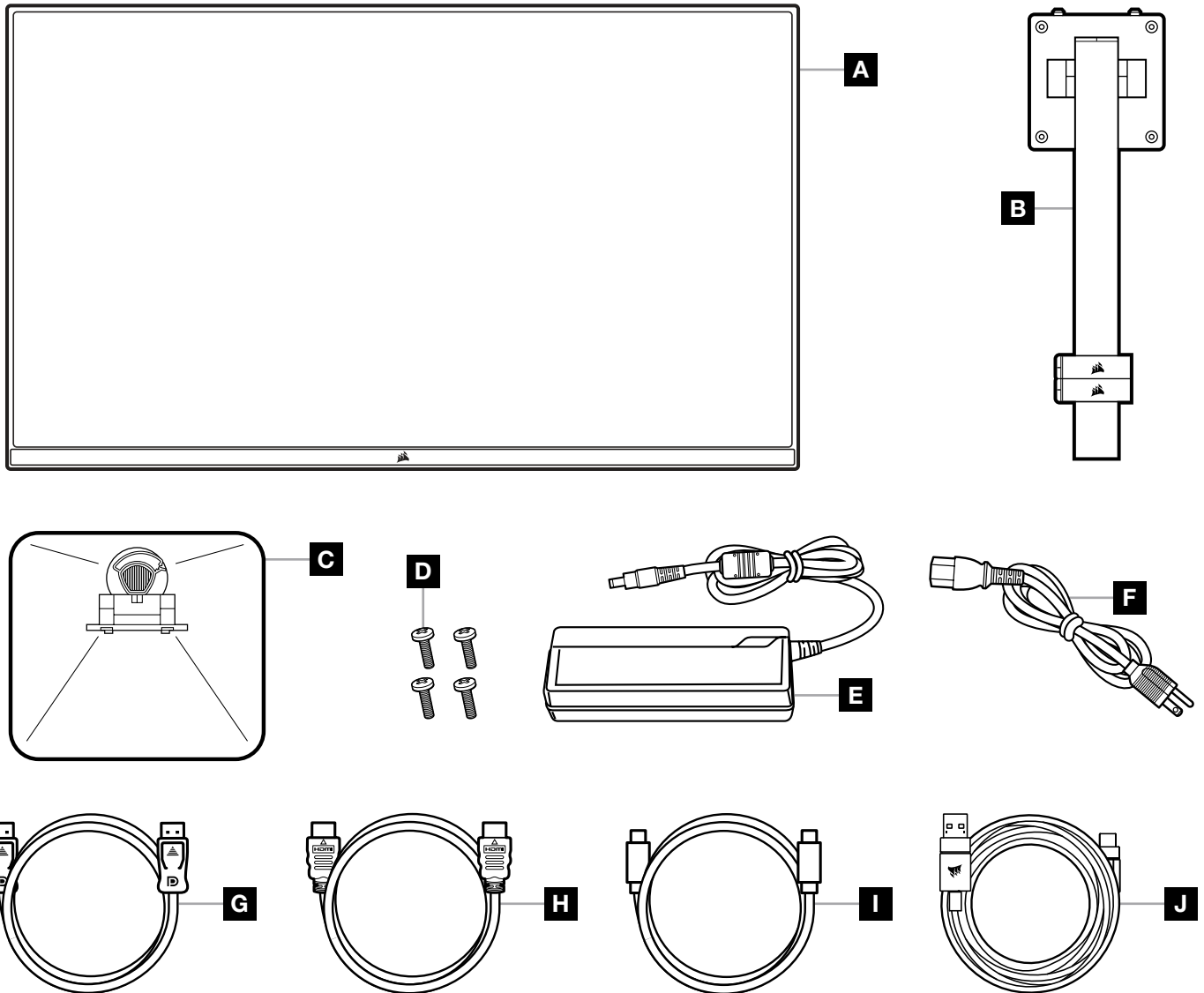
クイックスタートガイドと保証カードの QR コードをスキャン

製品セットアップ、ユーザー情報、保証/「ドット抜けゼロ」ポリシーは、
<https://qsg.corsair.com/xeneon-monitors> からご覧になれます

事前の注意

- モニターに付属するアクセサリまたはメーカー推奨のアクセサリのみを使用してください。
- 製品用のプラスチック包装のバッグは、お子さんの手の届かない場所に保管してください。
- モニターをコンセントに接続する前に、電源ケーブルの定格電圧がお住いの国の電源仕様に対応していることを確認してください。
- 電源コードプラグは、適切な配線で接地されたコンセントに接続する必要があります。
- 電気ショックを引き起こしやすいので、塗れた手ではプラグに触れないでください。
- モニターを安定した、通気の良い場所に置いてください。
- 電気ラジエーターや直射日光など熱源の近くにはモニターを絶対に置かないでください。
- モニターについている穴や開口部は通気用です。通気用の穴を物で覆ったり、塞いだりしないでください。
- 水や飲み物、いかなる種類の液体の近くでもモニターを使用しないでください。守られない場合は、電気ショックやモニターの損傷に至るおそれがあります。
- 清掃する前にはモニターの電源プラグをコンセントから抜いてあることを確認してください。
- スクリーン表面は傷がつきやすいので、硬いものや鋭利なもので表面に触れないようにしてください。スクリーンを拭くときは、ティッシュペーパーの代わりに、糸くずの出ない柔らかい布を使用してください。必要に応じて、装置の清掃にガラスクリーナーを使用してもかまいません。ただし、スクリーンに直接クリーナーをスプレーすることは絶対にしないでください。
- 長期間、装置を使用しない場合は、電源ケーブルを抜いてください。
- モニターを分解したり、自分で修理しようとししないでください。

XENEON 32QHD240 ディスプレイ同梱物



A XENEON 32QHD240 ディスプレイパネル

B 取り付け支柱 (CM-9020002 のみ)

C スタンド (CM-9020002 のみ)

D 取り付けねじ (X4)

E AC アダプター

F AC 電源ケーブル

G DISPLAYPORT ケーブル (1.5M)

H HDMI ケーブル (1.5M)

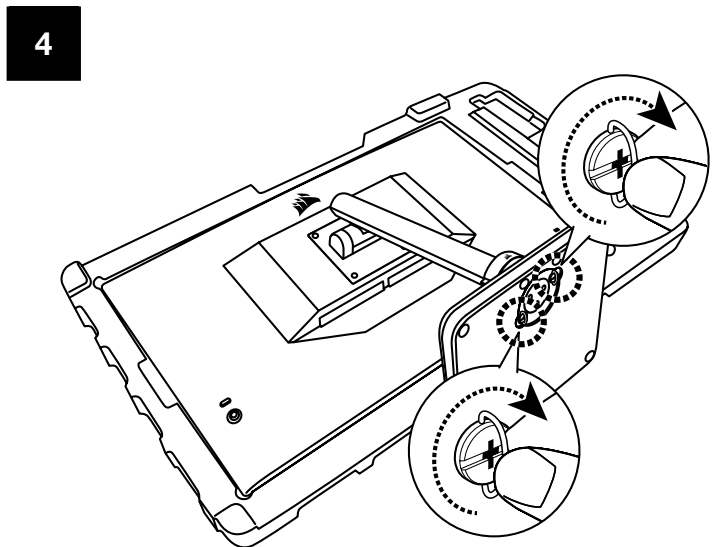
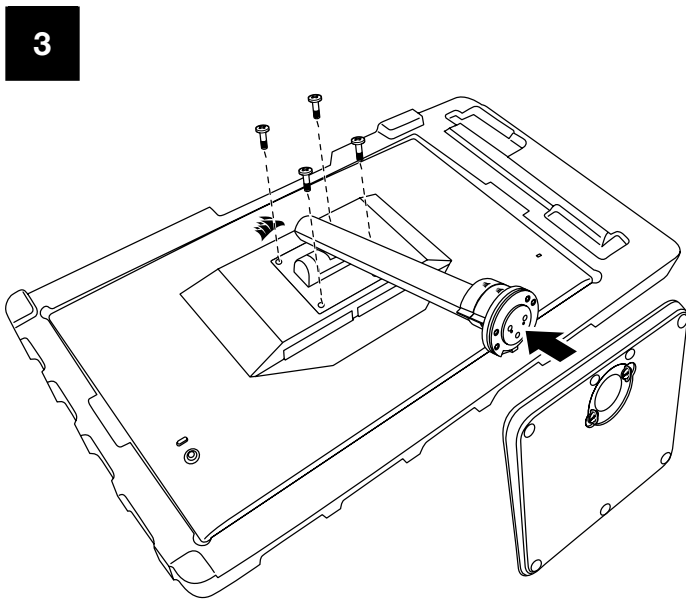
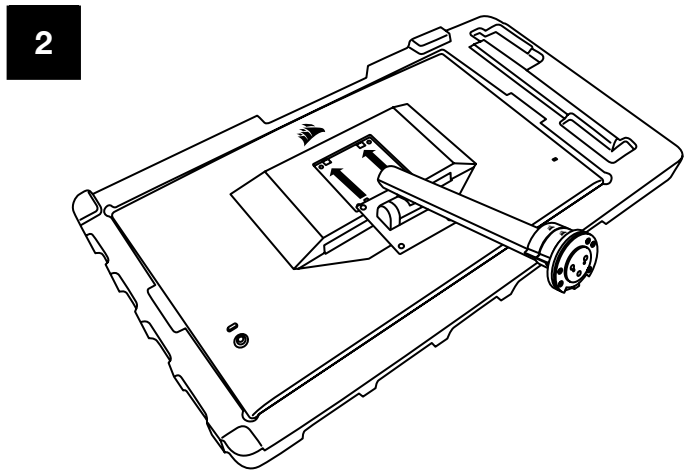
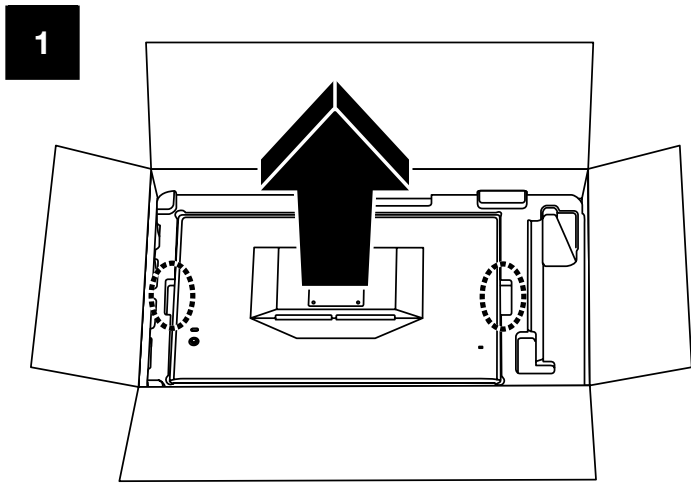
I USB-C ケーブル (1.5M)

J USB-A TO USB-C ケーブル (1.8M)

組み立て (CM-9020002 のみ)

始める前に、プラスドライバーが必要になります。

1. パネルの背面をむきだしにするために、アクセサリとスタンドを含むフォームの一番上の層を取り外します。
2. パネルを覆っているフォームバッグ (図 1 参照) を丁寧に開き、取り付けエリアをむき出しにします。バッグからパネルを取り外さないでください。
3. モニターの支柱をパネル背面の取り付けスロットと揃えます (図 2 参照)。上部フックをパネル背面の取り付けスロットにスライドさせて入れます。プラスドライバーを使用して、4 本のねじで支柱をパネルに固定します (図 3 参照)。
4. スタンドベースをモニターの支柱に取り付け (図 3 参照)、支柱の底部に脱落防止つまみねじを締め付けます (図 4 参照)。
5. 包装からゆっくりモニターを取り外し、デスクの上に真っ直ぐ載せます。モニターを持ち上げるときはパネルの前面に触れないでください。



傾斜、左右回転、高さの調整 (CM-9020002 のみ)

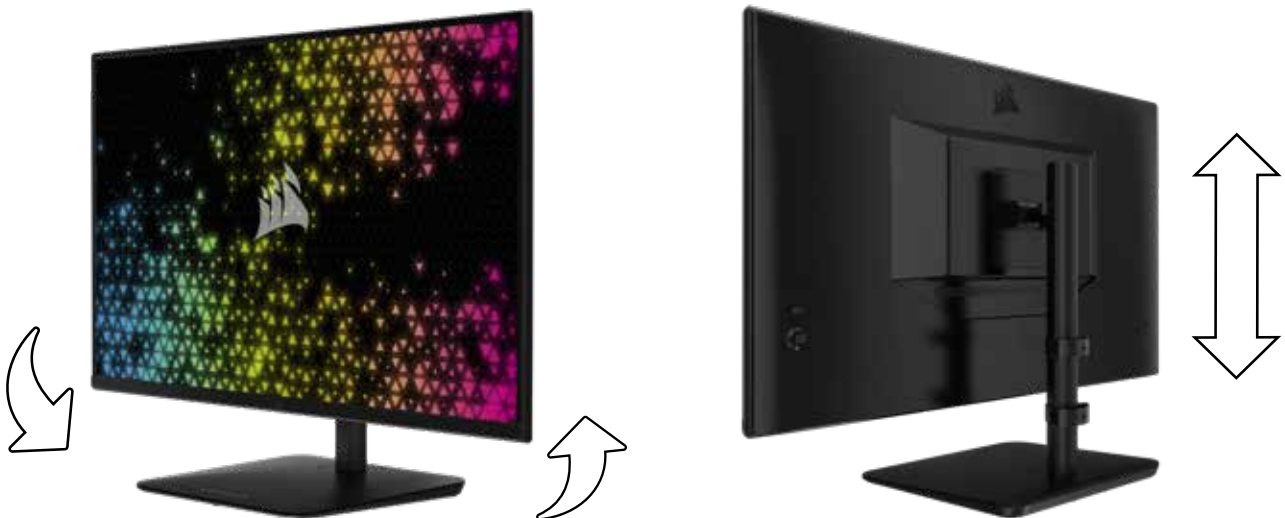
Xeneon ディスプレイは、傾斜、左右回転、高さの調整ができる頑丈でスタイリッシュなスタンドが特徴です。

- 傾斜 -5 / +20 度
- 左右 ± 30 度
- 高さ調整範囲 68mm

傾斜



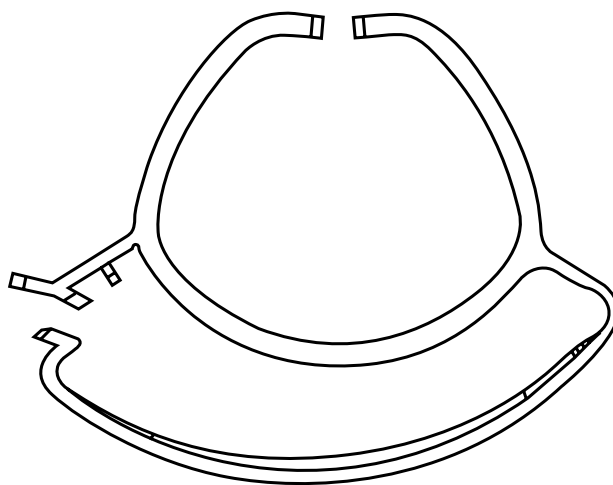
左右回転と高さ調整



RAPIDROUTE ケーブル管理 (CM-9020002 のみ)



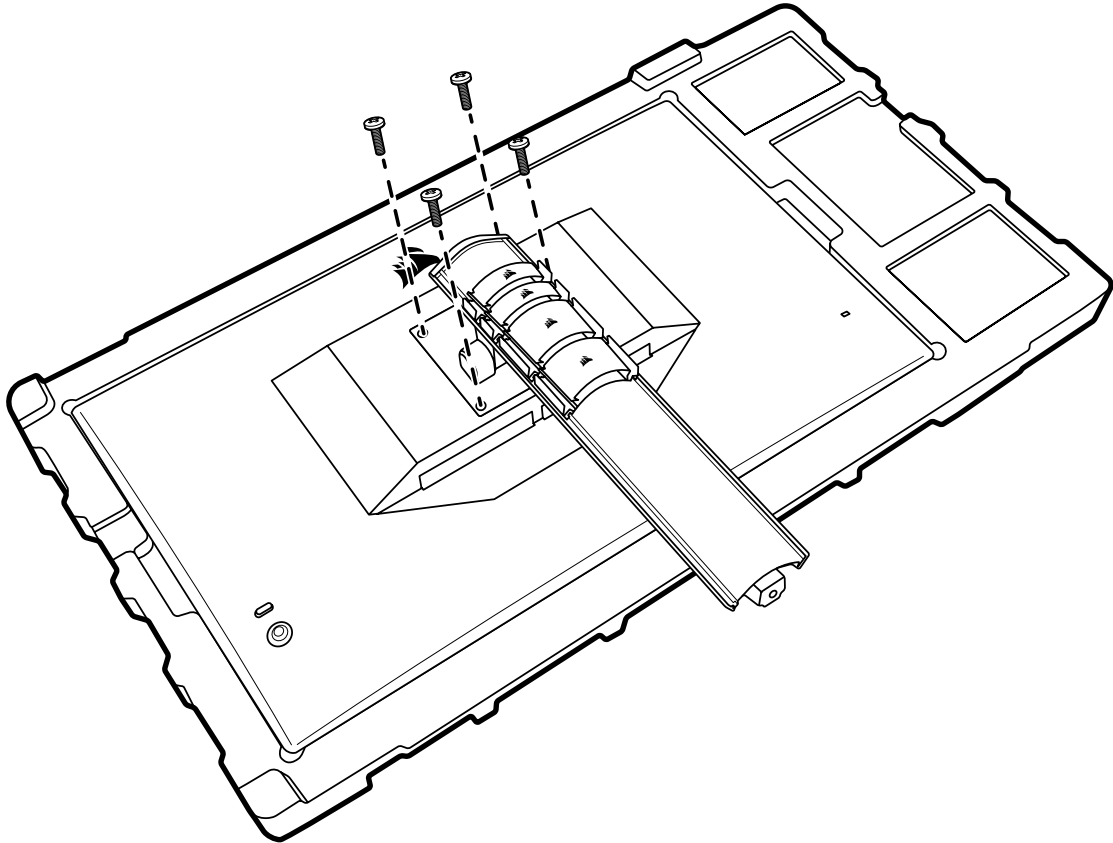
Xeneon ディスプレイには、デスクトップを整理整頓するための RapidRoute ケーブル管理が内蔵されています。ケーブル管理のニーズに合わせてカスタマイズできるよう、調整可能なケーブルクリップが2つあり、モニターのポストで上下にスライドできます。各ケーブルクリップを開くには、留め金を左に押して、ケーブルクリップを引き出します。



壁掛けマウント互換性

互換性のある壁掛けマウント (VESA 100mm x 100mm) でディスプレイを取り付ける前に次のことを確認してください：

- プラスドライバーでディスプレイからスタンドを取り外した
- 購入した壁掛けマウントブラケットが、このディスプレイの重量を支えられる

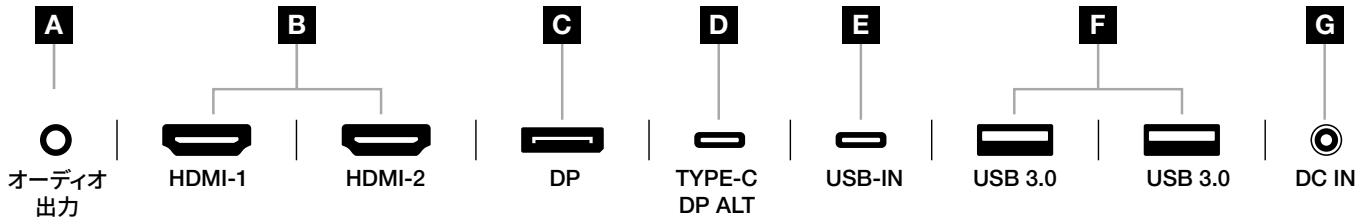


ディスプレイの正しい取り付け方についての詳しい情報は、壁掛けマウントに付属している手引きをお読みください。

警告：ディスプレイには背面に4つのVESA取り付け穴があります。4つのすべての穴に壁掛けマウントブラケットを固定する必要があります。穴を4つすべては使わない場合は、ディスプレイが落下して物的損害や怪我をするおそれがあります。

注：壁掛けマウント用のねじは付属していません。ねじ：M4タイプ、壁掛けマウントに応じて14mm～16mmの長さ。

接続性




- A. 3.5mm オーディオジャック**
接続している HDMI、DisplayPort、および USB-C Alt モードのデバイスからのオーディオ出力。
- B. HDMI 2.0 ポート**
デュアル HDMI 入力は “HDMI-1” 入力および “HDMI-2” 入りに相当します。
- C. DisplayPort 1.4 ポート**
DisplayPort 入力は “DisplayPort” 入りに相当します。
- D. USB Type-C ポート**
DisplayPort Alt モードとアップストリーム USB 入力 (USB 3.0 ポートに接続) をサポートしています。“TYPE-C” 入りに相当します。CORSAIR iCUE の機能とダウンストリーム 3.0 ポートをサポートするには、このポートまたは USB アップストリームポートをホストデバイスの USB 対応ポートに接続する必要があります。
- E. USB-IN ポート**
アップストリーム USB 入力ポート。CORSAIR iCUE の機能とダウンストリーム USB 3.0 ポートをサポートするには、このポートまたは USB Type-C ポートをホストデバイスの USB 対応ポートに接続する必要があります。
- F. USB 3.0 ポート**
デュアル Type-A 5 Gbps USB ポート
- G. DC In**
付属 AC アダプターに接続します。

動作

制御

○  — 電源オン/オフ

 — 押す — ディスプレイ設定を開きます

上 — 輝度スライダーを開きます
 下 — 画像モード選択を開きます
 左 — 音量スライダーを開きます
 右 — 入力ソース選択を開きます



モニターには、ショートカットを開いたり、ディスプレイ設定をナビゲートするためのジョイスティックが背面右側に付属しています。USB ハブを USB IN ポートを介してコンピュータに接続している場合は、これらの設定の多くが CORSAIR iCUE ソフトウェアでも制御できることに注意してください。

iCUE の最新バージョン(4.24 以降)をインストールしてください

<https://www.corsair.com/us/en/icue> から入手できます。

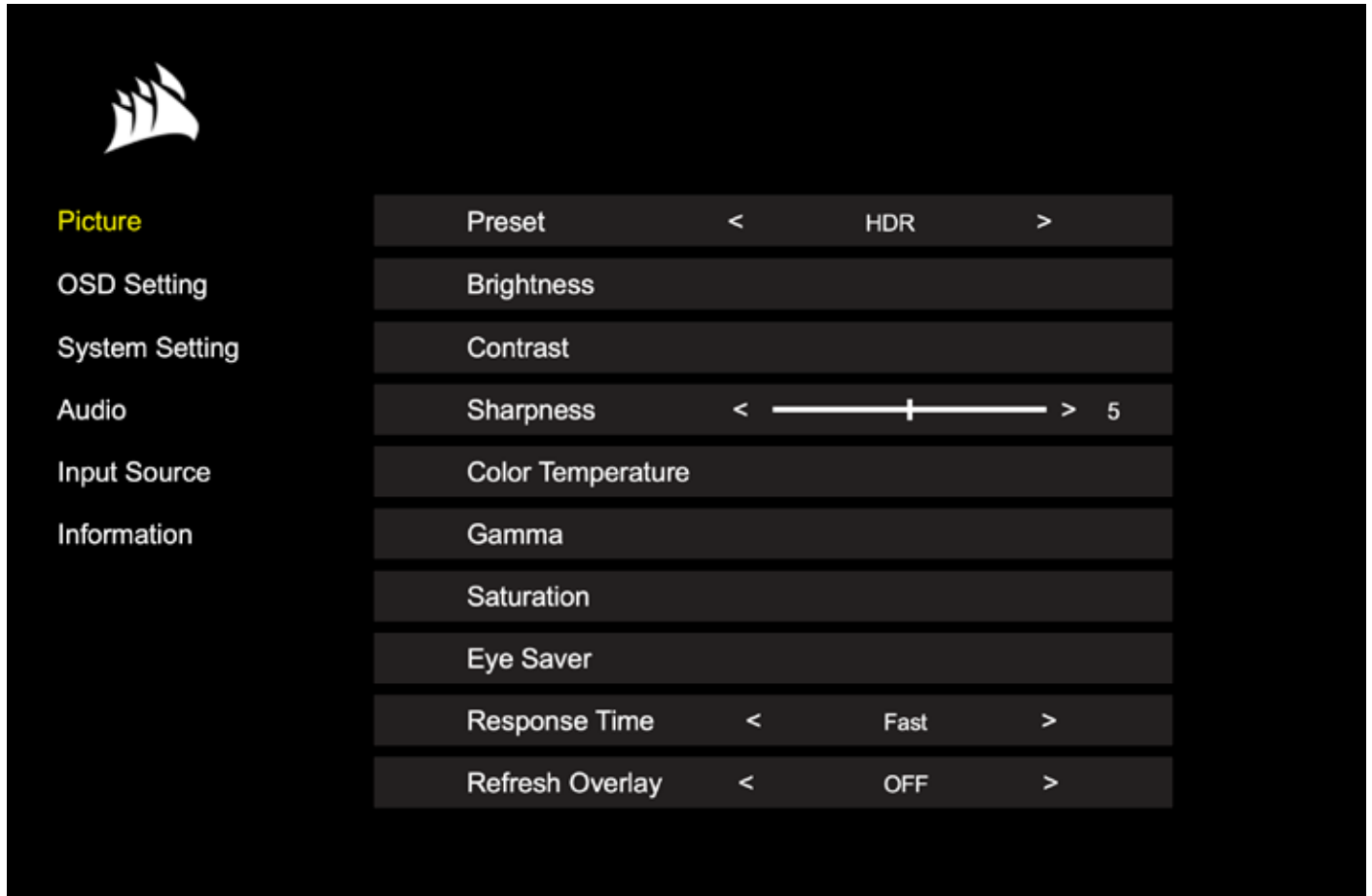
オンスクリーンディスプレイ (OSD)

ジョイスティックを内側に押すと、モニターのディスプレイ設定にアクセスできます。ジョイスティックを使用して設定をナビゲートすることができ、ジョイスティックを内側に押すと、選択内容が確認されます。

動作

OSD – 画像設定

「画像」というラベルの付いた最初のメニューには、全体の画質を調整するために以下の設定が含まれています。



動作

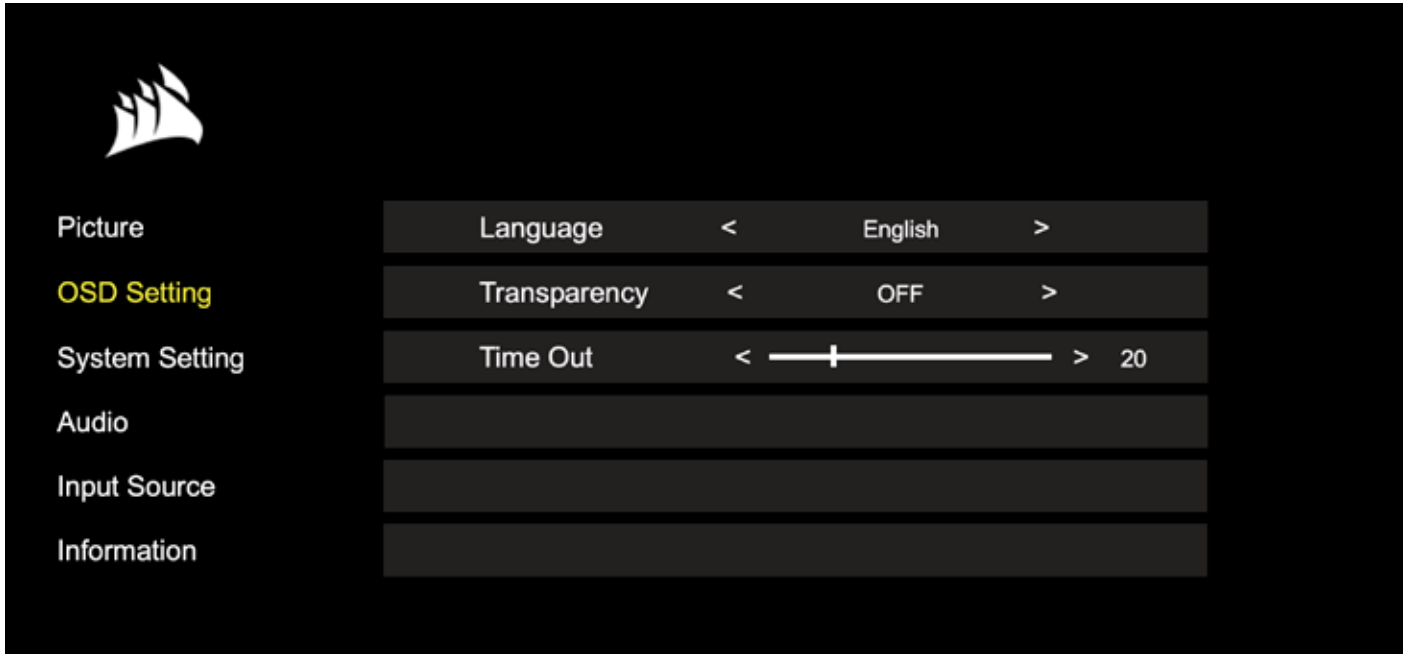
OSD – 画像設定

設定	オプション	説明
画像モード	標準	一般使用向けで最も電力を節約するように工場出荷時に較正されたディスプレイプリセットを選択します
	ムービー	映画鑑賞用に最適化されたディスプレイプリセットを選択します
	テキスト	テキストを読むために最適化されたディスプレイプリセットを選択します
	sRGB	sRGB 色空間に工場出荷時に較正されたディスプレイプリセットを選択します
	クリエイティブ	コンテンツ作成タスク用に工場出荷時に較正されたディスプレイプリセットを選択します
	ゲーム	高速で動くゲームのプレイ用に最適化されたディスプレイプリセットを選択します
	DCI-P3	DCI-P3 色空間の HDR に最適化されたディスプレイプリセットを選択します
	AdobeRGB	AdobeRGB 色空間の HDR に最適化されたディスプレイプリセットを選択します
	HDR	オペレーティングシステム ディスプレイ設定で HDR モードが選択されていると、HDR が表示されます
輝度	0-100	ディスプレイのバックライトの強度を調整します
コントラスト	0-100	ディスプレイのコントラストを調整します
シャープネス	0-10	エッジ部分のディテールを増やすことによって、ディスプレイのシャープネスフィルターを調整します
色温度	低温	ディスプレイの色温度を 9300 K に設定します
	標準	ディスプレイの色温度を標準の 6500 K に設定します
	高温	ディスプレイの色温度を 5000 K に設定します
	カスタム	赤、青、緑のレベルを制御するスライダーを使ってディスプレイの色温度を手動で設定できるようになります
ガンマ	2.0, 2.2, 2.4	色と輝度の関係を調整します。デフォルトは2.2です
彩度	0-10	ディスプレイの色の強度を調整します
アイセーバー	オン/オフ	有効にしたとき、ディスプレイの青色光の放射を減らします
応答時間	標準、高速、より高速、最も高速、ダイナミック光学密度	ピクセルの色の変化の速度を増やして、高速で動くオブジェクトのぼやけを減らすことができます
リフレッシュオーバーレイ	オン/オフ	モニターの現在のリフレッシュレートを表示している右上隅のオーバーレイをトグルで切り替えます。Adaptive Sync が有効なときに毎秒あたりのフレーム数をトラッキングするのに便利です
MPRT	オン/オフ	「動画応答時間」(MPRT) 設定をトグルで切り替えます。「オン」に設定されていると、動くオブジェクトのぼやけを減らすことができます
ローカルディミング	オン/オフ	より濃いブラックとより優れたコントラスト比を実現するには、バックライトの特定の部分をオフにします
クロスヘア	オフ、ドット、クロス、アングル	クロスヘア機能を有効にします

動作

OSD – OSD 設定

「OSD 設定」というラベルの付いた第二のメニューには、オンスクリーンディスプレイを調整するために以下の設定が含まれています。

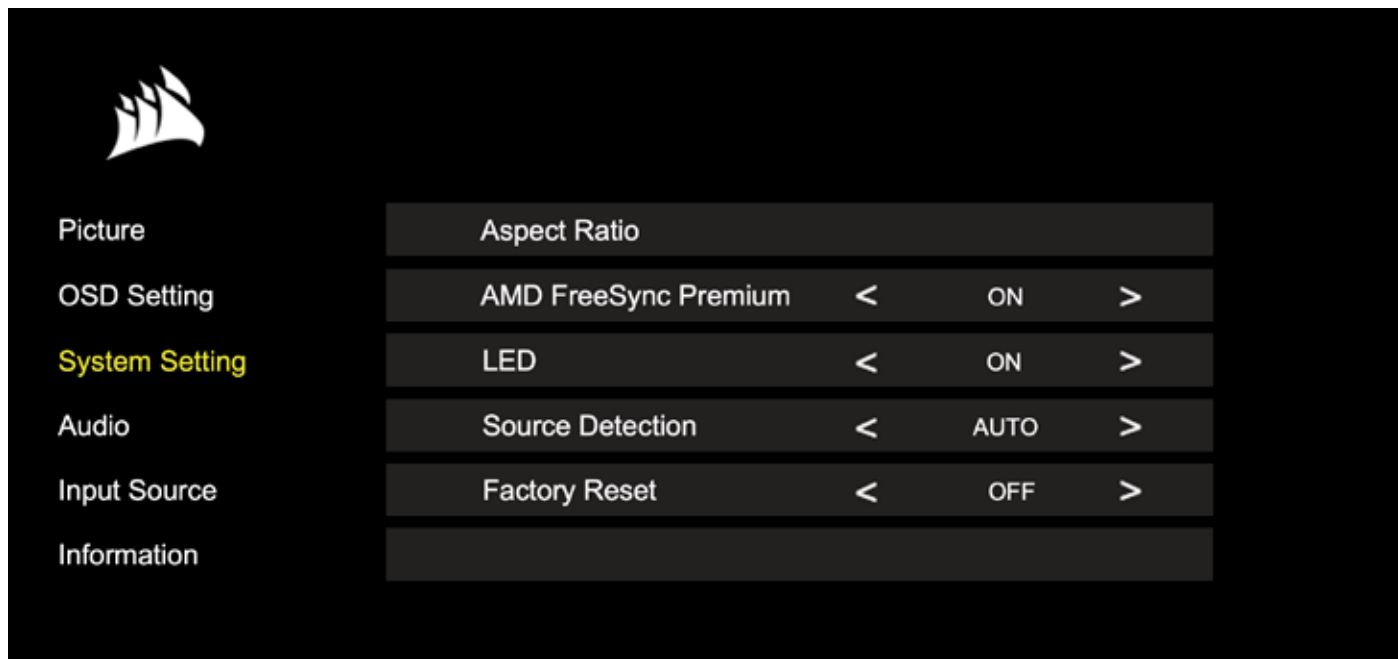


設定	オプション	説明
言語	English Français Deutsch Italiano Español Português Русский 繁體中文 日本語 한국어	OSD の言語を選択します
透明度	オン/オフ	OSD を透明または不透明に設定します
タイムアウト	10-60	OSD の画面表示が消えるまでの時間 (秒) を調整します

動作

OSD – システム設定

「システム設定」というラベルの付いた第三のメニューには、オンスクリーンディスプレイを調整するために以下の設定が含まれています。



動作

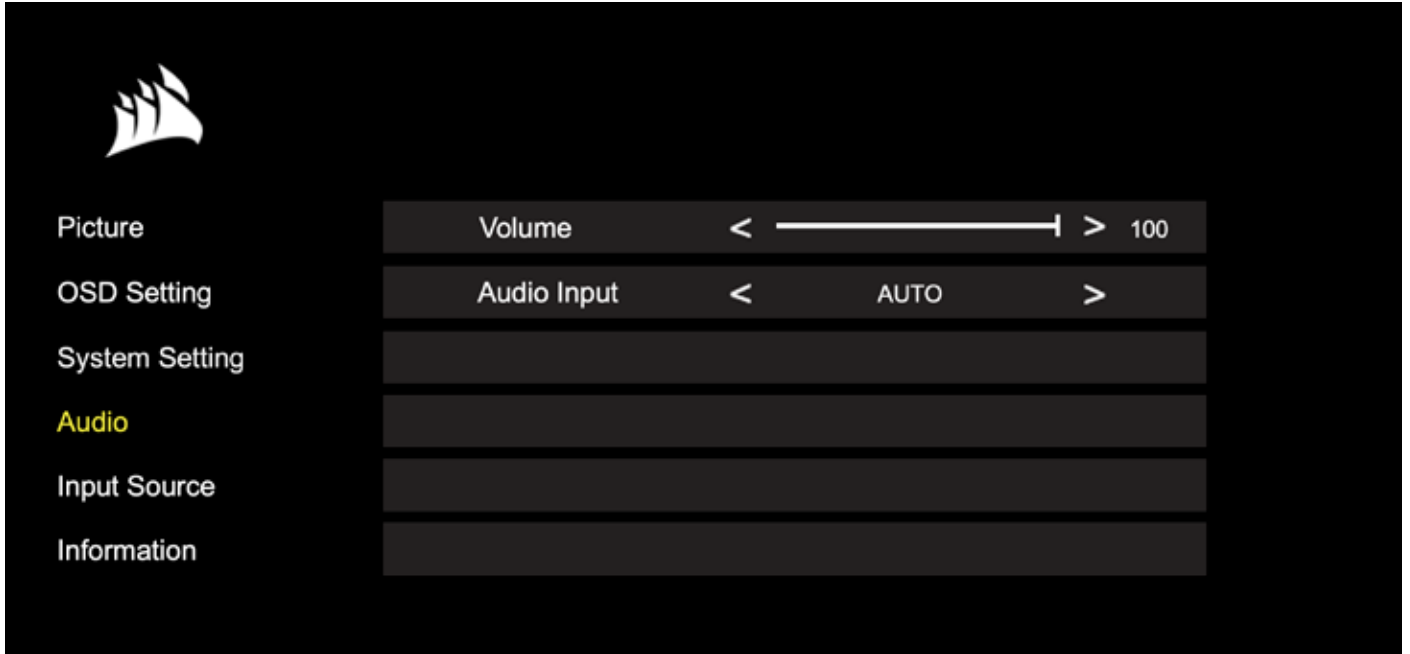
OSD – システム設定

設定	オプション	説明
アスペクト比	自動、4:3、16:9	ディスプレイのアスペクト比を選択します。「自動」では、ディスプレイのアスペクト比が入ってくるビデオ信号と一致させようとしています。- Adaptive Sync が有効になっている場合、利用できません
AMD FreeSync Premium	オン/オフ	<p>互換性のある GPU に接続するときは、Adaptive Sync 機能を有効または無効にします。HDMI 経由で AMD FreeSync を使う場合は、ON を選択して Adaptive Sync を有効にします</p> <p>互換性のある GPU に DP ケーブルまたは USB Type-C Alt モードケーブルで接続している場合は、NVIDIA G-Sync 互換性が利用できます。NVIDIA G-Sync 互換性の場合：</p> <ul style="list-style-type: none"> • NVIDIA コントロールパネルをインストール/開きます • 「G-Sync をセットアップ」を選択 • 「G-Sync 互換性を有効にする」チェックボックスを選択 • 「32QHD240/RDD0020 を選択」を選択 • 「選択したディスプレイモデルの設定を有効にする」チェックボックスを選択します <p>NVIDIA 設定にアクセスするためにシステムの再起動が必要になる場合があります</p>
LED	オン/オフ	前部電源 LED インジケータのオンまたはオフを選択します
ソース検出	自動または手動	信号を検出した場合、または手動で入力を切り替える必要がある場合に、ディスプレイが自動で別の入力に切り替えるかを検出します
USB-C Alt モード (ディスプレイを USB-C ビデオポートで接続している場合のみ存在します)	4 レーン 2 レーン	<p>ビデオのために USB-C ポートで使う USB レーンの数をトグルで切り替えます</p> <ul style="list-style-type: none"> • 4 レーンモードでは、最大で 2560x1440@240Hz の解像度が可能になりますが、USB Type-A ポートの速度は USB 2.0 まで減少します • 2 レーンモードでは、最大で 2560x1440@120Hz の解像度が可能になりますが、USB Type-A は USB 3.0 の速度になります
工場出荷時設定へのリセット	オン/オフ	すべてのモニター設定を工場出荷時のデフォルト設定にリセットします

動作

OSD – オーディオ

「オーディオ」というラベルの付いた第四のメニューでは、ディスプレイのオーディオを制御することができます。

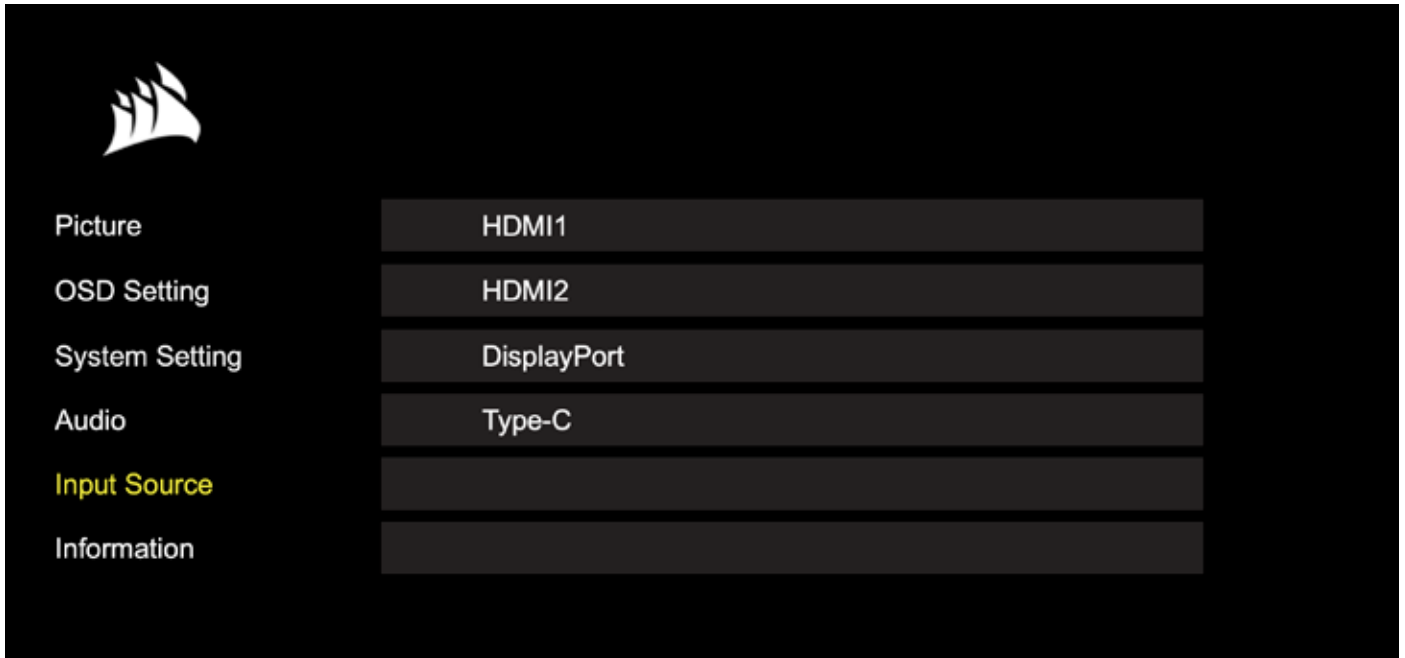


設定	オプション	説明
音量	0 ~ 100	ヘッドフォンジャックからのオーディオ出力の音量を調整します
オーディオ入力	自動、HDMI-1、HDMI-2、DisplayPort、USB Type-C	ディスプレイで、どの入力からオーディオをヘッドフォンジャックにパススルーするかを選択します。「自動」では、現在の入力を使用します

動作

OSD – 入力選択

「入力選択」というラベルの付いた第五のメニューでは、ディスプレイの異なる入力間の切り替えを行います。

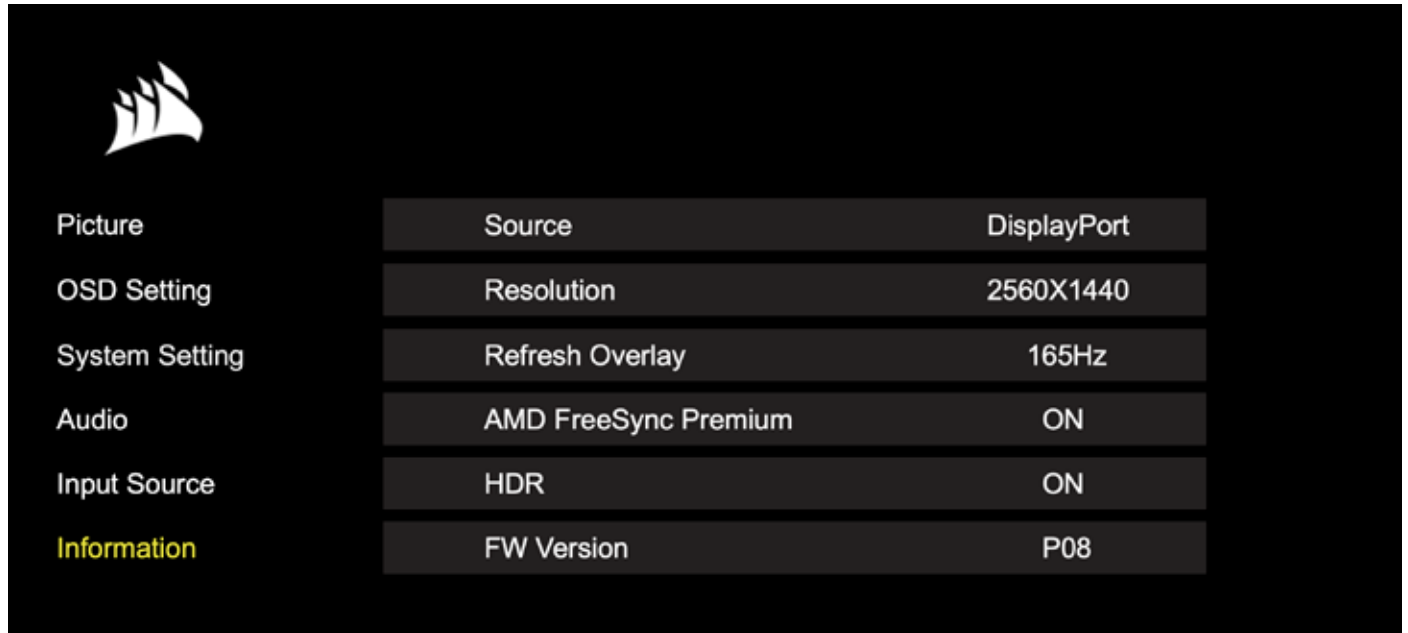


設定	説明
HDMI-1	HDMI-1 ポートに接続しているデバイスに切り替えます
HDMI-2	HDMI-2 ポートに接続しているデバイスに切り替えます
DisplayPort	「DP」 DisplayPort ポートに接続しているデバイスに切り替えます
TYPE-C	TYPE-C ポートに接続しているデバイスに切り替えます

動作

OSD – 情報

主要な機能には現在の設定ステータスを提供します。



Picture	Source	DisplayPort
OSD Setting	Resolution	2560X1440
System Setting	Refresh Overlay	165Hz
Audio	AMD FreeSync Premium	ON
Input Source	HDR	ON
Information	FW Version	P08

設定	説明
ソース	現在の入力ソースを表示します
解像度	現在のディスプレイ解像度を表示します
リフレッシュオーバーレイ	現在のリフレッシュレートを表示します
AMD FreeSync Premium	AMD FreeSync Premium ステータス
HDR	HDR ステータス
FW バージョン	現在の FW バージョンを示します

動作

CORSAIR XENEON 32QHD240 ゲーミングモニター FAQ

質問	答え																						
電源 LED がオンになっていません	モニターの背面にある電源ボタンを押して、オンになっているか点検します。																						
	電源ケーブルがモニターと電源アダプターに完全に差し込まれているか点検します。																						
	OSD システム設定メニューの電源 LED トグルがオンになっているか点検します。																						
スクリーンに画像が映りません	モニターがオンになっているか点検します。																						
	ビデオケーブルがモニターとソースデバイスに適切に接続されているか点検します。																						
	ビデオケーブルの品質を点検し、損傷を受けていないことを確認します。低品質のビデオケーブルや延長ケーブルは使用しないでください。																						
	モニターがどのビデオソース入力に設定されているか (OSD で自動ソース機能が無効になっているか) 点検します。																						
	他のソースデバイスを接続して、モニターのビデオ入力をテストします。																						
	ソースデバイスを他の利用可能なモニターに接続して、ビデオ出力をテストします。																						
	電源を入れたまま、モニターのプラグの抜き差しはしないでください。ソースデバイスに電源を入れる前に、モニターをソースに接続しておきます。																						
画像が明るすぎ/暗すぎます	OSD で輝度/ガンマ/コントラストを調整します。																						
	モニターをリセットして工場出荷時の設定に戻します。																						
ビデオ信号がサポートされていません	ソースデバイスのビデオ出力設定を点検します。CORSAIR XENEON 32QHD240 ゲーミングモニター用にサポートされている入力解像度は：																						
	<table border="1"> <thead> <tr> <th>解像度</th> <th>リフレッシュレート</th> </tr> </thead> <tbody> <tr> <td>640x480</td> <td>60, 67, 72, 75Hz</td> </tr> <tr> <td>800x600</td> <td>56, 60, 72, 75Hz</td> </tr> <tr> <td>1024x768</td> <td>60, 70, 75Hz</td> </tr> <tr> <td>1280x1024</td> <td>60, 75Hz</td> </tr> <tr> <td>1440x900</td> <td>60Hz</td> </tr> <tr> <td>1680x1050</td> <td>60Hz</td> </tr> <tr> <td rowspan="2">1920x1080</td> <td>60Hz</td> </tr> <tr> <td>144, 165Hz (DP, Type-C)</td> </tr> <tr> <td rowspan="2">2560x1440</td> <td>60, 120, 144Hz</td> </tr> <tr> <td>165, 180, 240Hz (DP, Type-C)</td> </tr> <tr> <td>3840x2160</td> <td>30, 60Hz (ダウンスケールしたコンソールサポート用)</td> </tr> </tbody> </table>	解像度	リフレッシュレート	640x480	60, 67, 72, 75Hz	800x600	56, 60, 72, 75Hz	1024x768	60, 70, 75Hz	1280x1024	60, 75Hz	1440x900	60Hz	1680x1050	60Hz	1920x1080	60Hz	144, 165Hz (DP, Type-C)	2560x1440	60, 120, 144Hz	165, 180, 240Hz (DP, Type-C)	3840x2160	30, 60Hz (ダウンスケールしたコンソールサポート用)
	解像度	リフレッシュレート																					
	640x480	60, 67, 72, 75Hz																					
	800x600	56, 60, 72, 75Hz																					
	1024x768	60, 70, 75Hz																					
	1280x1024	60, 75Hz																					
	1440x900	60Hz																					
	1680x1050	60Hz																					
	1920x1080	60Hz																					
		144, 165Hz (DP, Type-C)																					
2560x1440	60, 120, 144Hz																						
	165, 180, 240Hz (DP, Type-C)																						
3840x2160	30, 60Hz (ダウンスケールしたコンソールサポート用)																						

動作

CORSAIR XENEON 32QHD240 ゲーミングモニター FAQ

質問	答え
CORSAIR XENEON 32QHD240 は USB-C 経由のビデオをサポートしていますか？	はい。CORSAIR XENEON 32QHD240 は専用の TYPE-C DP ALT 入力を通じて、USB-C 経由で DisplayPort をサポートしています。最高の結果を得るには、付属の 1.5m Type-C ケーブルまたは USB 3.2 Gen 2 をサポートしている高品質 USB Type-C ケーブルを使用します。
USB-C Alt モードをサポートしているデバイスを、USB-C ケーブルを使って接続している場合、モニターの USB-A ポートに接続したデバイスを使用できません	デフォルトでは、USB-C Alt モードが「4 レーン」で動作し、USB-C 経由で DisplayPort フル解像度が可能ですが、これにより、USB Type-A ポートの使用は無効になっています。TYPE-C DP ALT 入力経由でのみ接続したときに USB Type-A ポートを再度有効にするには、「2 レーン」モードに切り替えます。このモードは、モニターの USB Type-A ポートに接続する周辺機器用に USB Type-A を再度有効にするために、サポートしているビデオ出力解像度を制限します。代替の方法として、ソースデバイスを USB ダウンストリームポートおよび TYPE-C DP ALT ポートに接続してビデオのフル解像度と USB ポートのフル機能を得ることもできます。最高の結果を得るには、USB 3.2 Gen 2 をサポートしている高品質 USB Type-C ケーブルを使用していることを確認します。
画像が伸びて/つぶれています	「システム設定」で「アスペクト比」をチェックします。デフォルトでは、これが「自動」に設定されていますが、場合によっては手動でのアスペクト比の設定が必要になることがあります(アダプターと古いゲームコンソールの特定の組み合わせなど)。
画像のカラーに問題があります	ビデオケーブルの品質を点検し、損傷を受けていないことを確認します。低品質のビデオケーブルや延長ケーブルは使用しないでください。
	モニターをリセットして工場出荷時の設定に戻します。
	OSD で画像設定を調整します。
画面上の画像の歪み	ビデオケーブルの品質を点検し、損傷を受けていないことを確認します。
	ソースデバイスを点検します。グラフィックカードまたはゲームコンソールが故障しているときは、メーカーに連絡をとって支援を求める必要がある場合があります。
モニターにドット抜けがあります	CORSAIR はモニター製品に関して「ドット抜けゼロ」ポリシーをとっており、1 つ以上の明るいピクセルまたは 6 つ以上の暗いサブピクセルが見つかった場合、3 年間の保証期間中はモニターを交換します。
互換性があるのは、どの種類の VESA マウントですか？	CORSAIR XENEON 32QHD240 は標準の 100mm x 100mm マウントをサポートしており、モニターヘッドはスタンドから取り外す必要があります。VESA マウントに付属している取り付けねじを使用します。

動作

CORSAIR XENEON 32QHD240 ゲーミングモニター FAQ

質問	答え
ウェブカメラまたはデジタル一眼レフ/ミラーレスカメラは取り付け可能ですか？	CORSAIR XENEON 32QHD240 はディスプレイの上部ベゼルに据える標準ウェブカメラをサポートしています。
CORSAIR XENEON モニターが CORSAIR iCUE によって検出されません	PC に最新バージョンの CORSAIR iCUE がインストールされていることを確認してください。CORSAIR XENEON 32QHD240 は iCUE バージョン 4.24 以降でサポートされています。
	モニターの USB-C アップストリームと PC の USB 3.0 ポートに接続しているケーブルが適切に接続されていることを確認します。USB ハブまたは拡張ケーブルでモニターに接続することはできるだけ避けてください。最高の結果を得るために、CORSAIR XENEON モニターに付属している USB-C ケーブルを使用することをお勧めします。
CORSAIR XENEON ではどの適応リフレッシュレートのオプションが利用できますか？	CORSAIR XENEON 32QHD240 は AMD FreeSync Premium 認証で、NVIDIA G-SYNC とも互換性を持っています。
AMD FreeSync / G-SYNC が有効になっていません	OSD で AMD FreeSync が有効になっていることを点検します。
	グラフィックカードの設定をチェックし、AMD FreeSync / NVIDIA G-SYNC が有効になっていることを確認します。AMD FreeSync はどのビデオポートでも機能します。NVIDIA G-Sync の互換性は、DP または USB Type-C Alt モード DP でのみ機能します。
モニターの定格のリフレッシュレート 240Hz になりません	グラフィックカード/システムディスプレイの設定をチェックして、240Hz リフレッシュレートが有効になっていることを確認します。利用可能なオプションについては、付録の「サポートされているディスプレイモード」の表を参照してください。
	ビデオケーブルの品質を点検し、損傷を受けていないことを確認します。低品質のビデオケーブルや延長ケーブルは使用しないでください。

付録

技術仕様

製品名	XENEON 32QHD240
部品番号	スタンド付き CM-9020002-XX スタンドなし CM-9020004-XX
デバイス	RDD0020
USB ハブ ID	CORSAIR USB 3.0 Hub
パネルサイズ	対角 32 インチ
ディスプレイ表面	ノングレア
インチ当たりのピクセル数	91.8
アスペクト比	16:9
ネイティブ解像度	2560 x 1440 @ 240Hz
応答時間 (MPRT)	1ms
応答時間 (GtG)	5ms
ディスプレイカラー	16.7M 色 (8bit RGB)
パネルテクノロジー	量子ドットテクノロジーを使った IPS
フリッカーフリー	あり
視野角	178° (H) / 178° (V)
ピーク輝度	400 ニト (SDR) / 600 ニト (HDR)
静的コントラスト比	1000:1
HDR 認証	VESA DisplayHDR 600
色域 (CIE 1976)	98% (DCI-P3), 100% (AdobeRGB), 100% (sRGB)
可変リフレッシュレート	AMD FreeSync Premium 認証、NVIDIA G-Sync 互換
HDMI 入力	HDMI 2.0 x 2
DisplayPort 入力	DisplayPort 1.4 x 1
USB-C 入力	DisplayPort 1.4 x 1 (USB-C Alt モード)、15W 電源供給、USB 5Gbps データアップストリーム
USB-C アップストリーム入力	5Gbps USB-C x 1
USB-A 出力	2x 5Gbps Type-A USB (5V/0.9A *2)
3.5mm オーディオ	あり、ビデオ入力からパススルー

付録

技術仕様

消費電力 (オン)	40W
消費電力 (スリープ)	<0.5W
消費電力 (オフ)	<0.3W
VESA 互換性	100mm x 100mm
寸法	732mm x 553mm x 270mm (W x H x D)
重量	8.4kg
スタンド傾斜	-5° / +20°
スタンド左右回転	-30° / +30°
スタンドの高さ調整範囲	68mm
AC アダプター	150W
	注: デバイスでは以下の電源を使用しています: Asian Power Devices Inc. / DA-150E19

サポートされているディスプレイモード

解像度		リフレッシュレート	HDMI	DP/TYPE-C
640x480	VGA	60Hz	V	V
		67Hz	V	V
		72Hz	V	V
		75Hz	V	V
800x600	SVGA	56Hz	V	V
		60Hz	V	V
		72Hz	V	V
		75Hz	V	V
1024x768	XGA	60Hz	V	V
		70Hz	V	V
		75Hz	V	V

付録

サポートされているディスプレイモード

解像度		リフレッシュレート	HDMI	DP/TYPE-C
1280x1024	SXGA	60Hz	V	V
		75Hz	V	V
1440x900	WXGA+	60Hz	V	V
1680x1050	WSXGA+	60Hz	V	V
1920x1080	FHD	60Hz	V	V
		144Hz		V
		165Hz		V
2560x1440	QHD	60Hz	V	V
		120Hz	V	V
		144Hz	V	V
		165Hz		V
		180Hz		V
		240Hz		V
480P	60Hz	V	V	
576P	50Hz	V	V	
720P	50Hz	V	V	
	60Hz	V	V	
	120Hz	V	V	
1080P	60Hz	V	V	
	120Hz	V	V	
2160P	30Hz	V	V	
	60Hz	V	V	

HDMI 法的開示

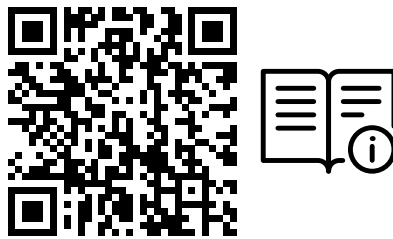


HDMI

HDMI、HDMI High-Definition Multimedia Interface という語、HDMIのトレードドレスおよび HDMIのロゴは、HDMI Licensing Administrator, Inc.の商標または登録商標です。

목차

주의 사항	2
포장 내용물	3
조립	4
틸트, 회전, 높이 조절	5
케이블 관리, 카메라 장착 (옵션) 및 기타 장착 옵션	6
연결	8
작동	9
컨트롤	9
OSD (On-Screen Display)	9
OSD – 사진 설정	10
OSD – OSD 설정	12
OSD – 시스템 설정	13
OSD – 오디오	15
OSD – 입력 선택	16
OSD – 정보	17
자주 묻는 질문 / 문제 해결	18
부록	21
기술 사양	21
지원되는 디스플레이 모드	22
HDMI 법적 고지	24



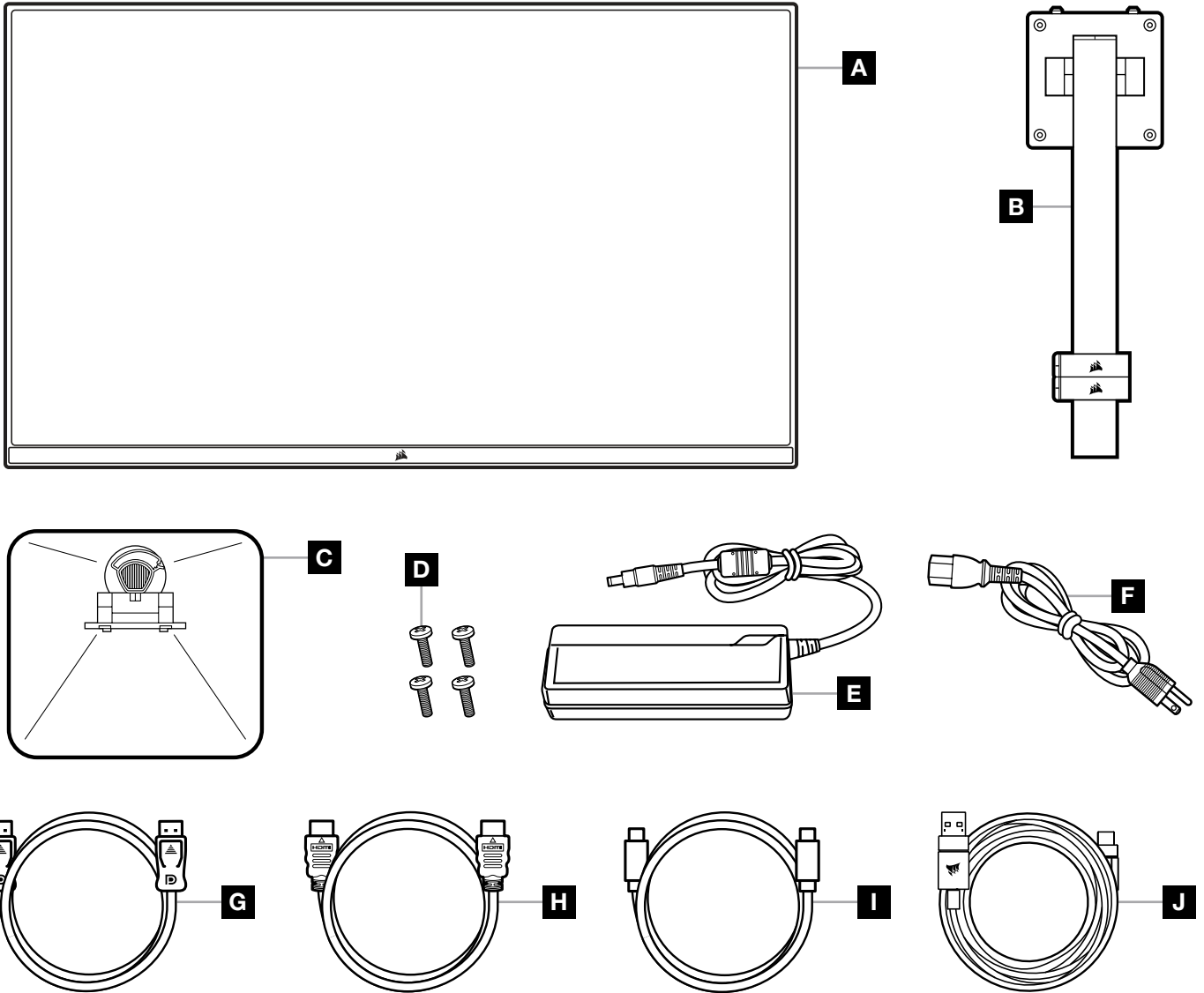
빠른 시작 안내서 및 설정 동영상을 확인하려면 QR 코드 스캔

제품 설정, 사용자 정보 및 보증/불량 픽셀 정책은
<https://qsg.corsair.com/xeneon-monitors> 에서 확인할 수 있습니다

주의 사항

- 모니터와 함께 제공되거나 제조사에서 권장하는 부속품만 사용하십시오.
- 제품의 비닐 포장은 어린이의 손이 닿지 않는 곳에 보관하십시오.
- 전원 케이블의 정격 전압이 해당 거주 국가의 전원 사양과 호환되는지 확인한 후 모니터를 전원 콘센트에 연결하십시오.
- 전원 코드 플러그는 올바르게 배선 및 접지된 전원 콘센트에 연결해야 합니다.
- 젖은 손으로 플러그를 만지지 마십시오. 그렇지 않으면 감전될 위험이 있습니다.
- 모니터를 통풍이 잘되는 안정적인 곳에 놓으십시오.
- 전기 라디에이터 또는 직사광선과 같은 열원 근처에 모니터를 두지 마십시오.
- 모니터의 구멍이나 개구부는 통풍을 위한 것입니다. 통풍구를 물체로 덮거나 막지 마십시오.
- 물, 음료수 또는 모든 유형의 액체 근처에서 모니터를 사용하지 마십시오. 그렇지 않으면 감전되거나 모니터가 손상될 수 있습니다.
- 청소하기 전에 전원 콘센트에서 모니터 플러그를 뽑았는지 확인하십시오.
- 화면 표면은 긁히기 쉬우므로 딱딱하거나 날카로운 물체가 표면과 접촉하지 않도록 하십시오. 티슈 대신 보풀이 없는 부드러운 천을 사용하여 화면을 닦으십시오. 필요한 경우 유리 세정제를 사용하여 장비를 청소할 수 있습니다. 그러나 절대로 세정제를 화면에 직접 분사하지 마십시오.
- 장비를 장기간 사용하지 않을 경우 전원 케이블을 분리하십시오.
- 모니터를 직접 분해하거나 수리하려고 시도하지 마십시오.

XENEON 32QHD240 디스플레이 내용물



A XENEON 32QHD240 디스플레이 패널

B 장착 기둥 (CM-9020002 전용)

C 스탠드 (CM-9020002 전용)

D 장착 나사 (4 개)

E AC 어댑터

F AC 전원 케이블

G DISPLAYPORT 케이블 (1.5M)

H HDMI 케이블 (1.5M)

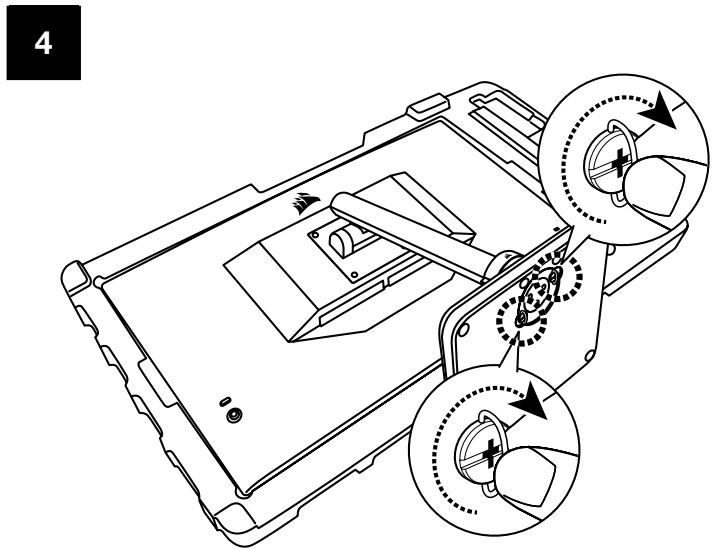
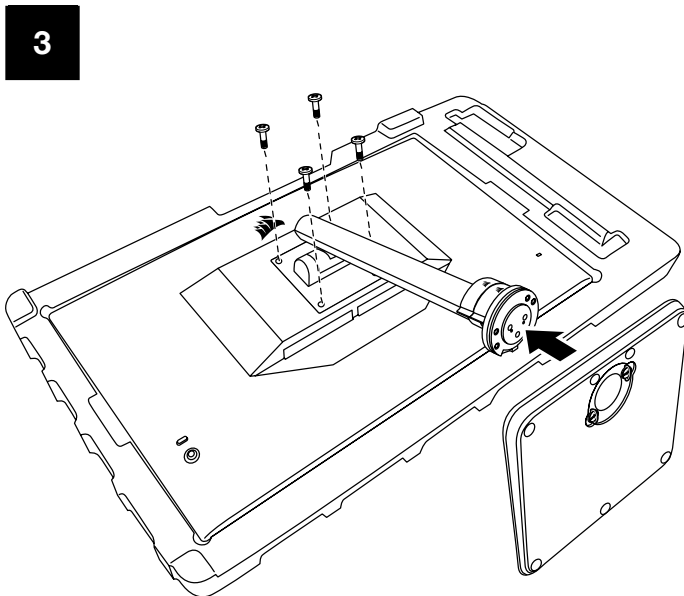
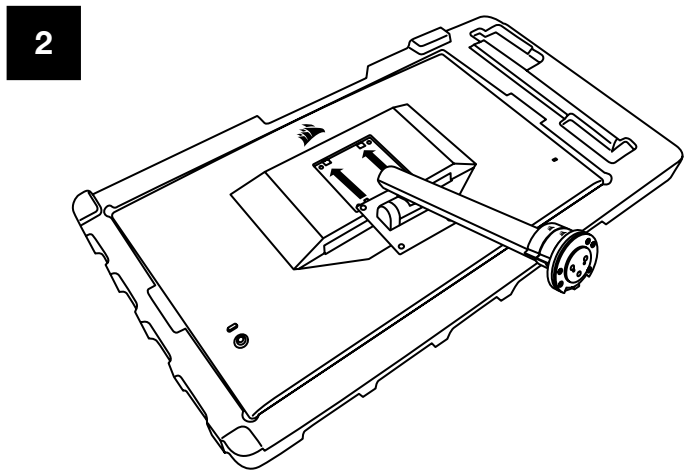
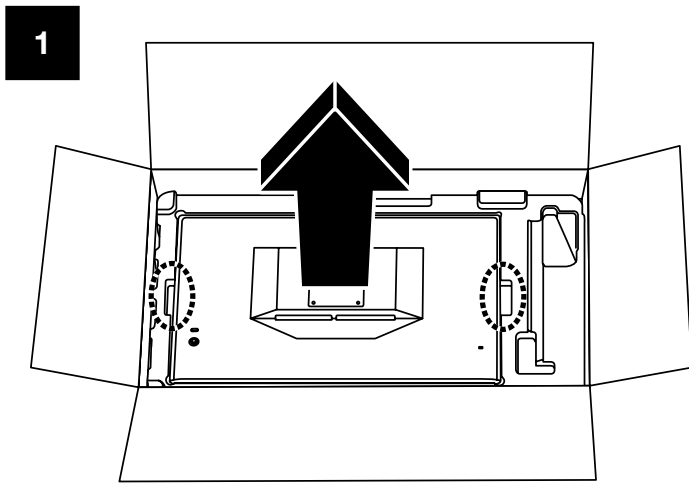
I USB-C 케이블 (1.5M)

J USB-A <-> USB-C 케이블 (1.8M)

조립 (CM-9020002 전용)

시작하기 전에 십자 드라이버가 필요합니다.

1. 액세서리와 스탠드가 포함된 폼의 최상층을 제거하여 패널 후면이 노출되도록 합니다.
2. 패널을 덮고 있는 폼 봉지를 조심스럽게 열어 (이미지 1 참조) 장착 영역이 노출되도록 합니다. 봉지에서 패널을 빼내지 마십시오.
3. 모니터 기둥을 패널 뒷면의 장착 슬롯에 맞춥니다 (이미지 2 참조). 상단 후크를 패널 후면의 장착 슬롯에 밀어 넣습니다. 십자 드라이버를 사용하여 나사 4 개로 기둥을 패널에 고정합니다 (이미지 3 참조).
4. 스탠드 베이스를 모니터 기둥에 부착하고 (이미지 3 참조) 캡티브 나비 나사를 기둥 하단 안쪽으로 조입니다 (이미지 4 참조).
5. 포장에서 모니터를 천천히 꺼내 책상 위에 똑바로 놓습니다. 모니터를 들어 올릴 때 패널 전면을 만지지 마십시오.



틸트, 회전, 높이 조절 (CM-9020002 전용)

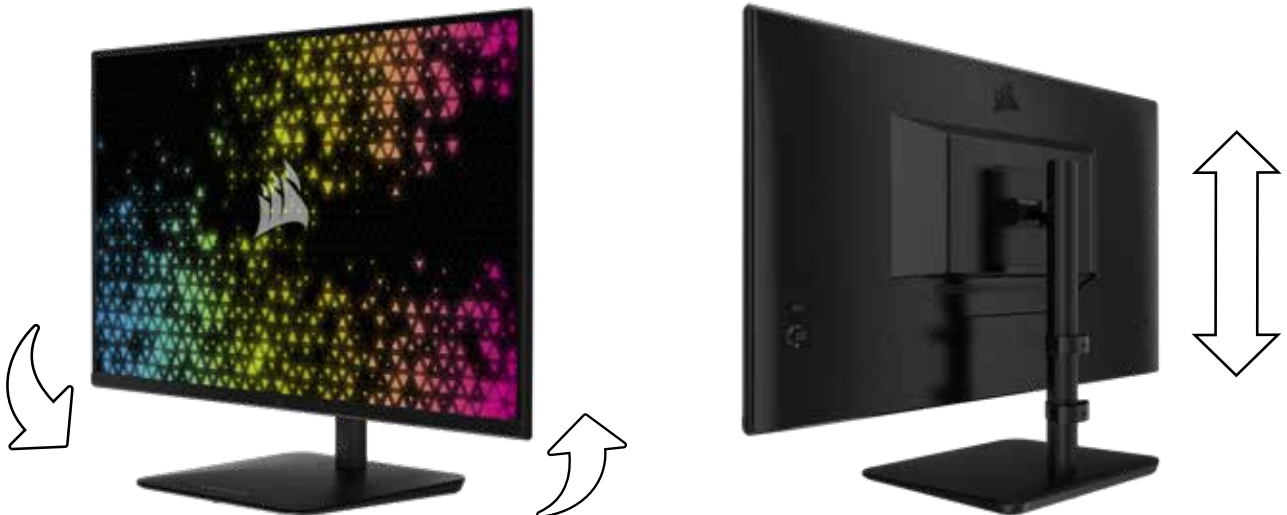
Xeneon 디스플레이는 틸트, 회전, 높이 조절 기능을 제공하는 견고하고 세련된 스탠드가 특징적입니다.

- 틸트 -5 / +20 도
- 회전 ± 30 도
- 높이 조절 범위 68mm

틸트



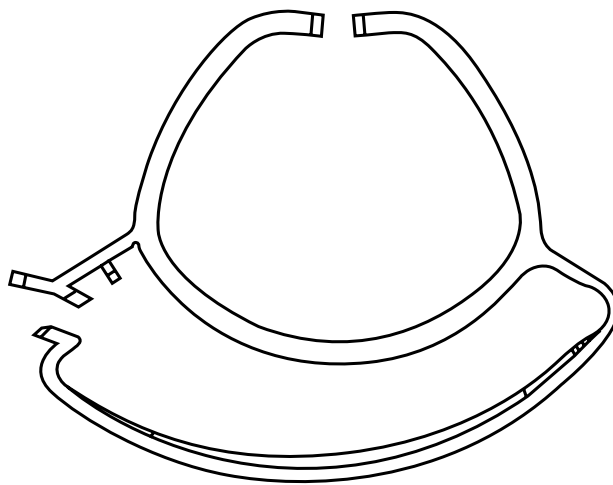
회전 및 높이 조절



RAPIDROUTE 케이블 관리 (CM-9020002 전용)



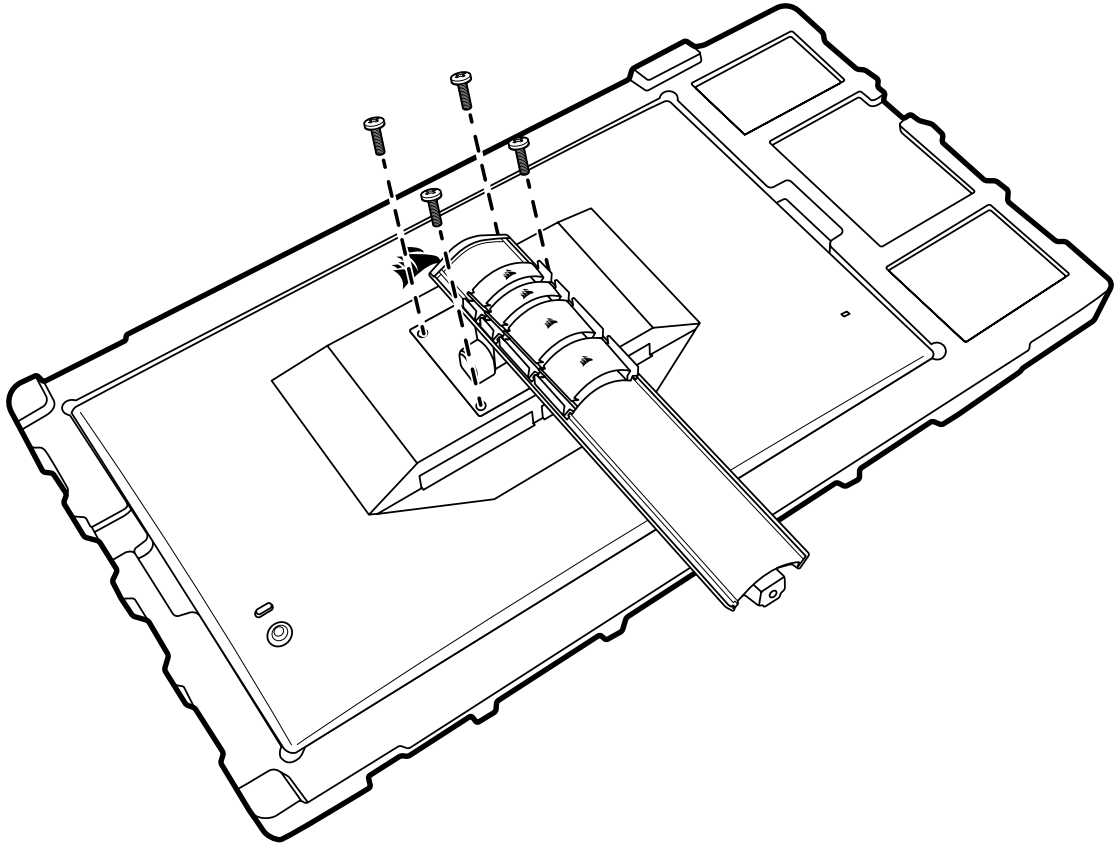
Xeneon 디스플레이에는 RapidRoute 케이블 관리 기능이 내장되어 있어 데스크톱을 깔끔하게 유지할 수 있습니다. 모니터 스탠드에서 밀어 올리고 내리는 조정 가능한 케이블 클립이 2 개 있어 케이블 관리 요구 사항을 맞춤화할 수 있습니다. 엄지 걸쇠를 왼쪽으로 누르고 케이블 클립을 당기면 각 케이블 클립이 열립니다.



벽걸이 거치대 호환성

호환되는 벽걸이 거치대 (VESA 100mm x 100mm) 로 디스플레이를 장착하기 전 확인해야 할 사항은 다음과 같습니다.

- 십자 드라이버로 디스플레이에서 스탠드를 제거했습니다
- 구입한 벽걸이 거치대 브래킷은 이 디스플레이의 무게를 지탱합니다

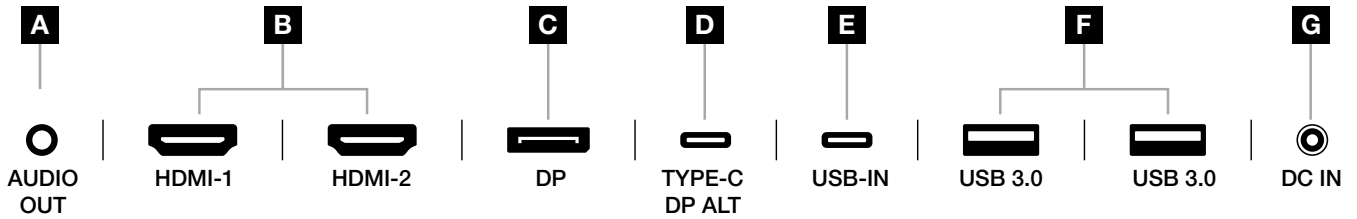


디스플레이를 올바르게 장착하는 방법에 대한 자세한 내용을 보려면 해당 벽걸이 거치대와 함께 제공된 지침을 확인하십시오.

경고: 디스플레이 뒷면에는 VESA 장착 구멍이 4 개 있습니다. 구멍 4 개 모두에 벽걸이 거치대 브래킷을 고정해야 합니다. 구멍 4 개를 모두 사용하지 않으면 디스플레이가 떨어져 재산 피해 또는 부상이 발생할 수 있습니다.

참고: 벽걸이 거치대 나사는 포함되어 있지 않습니다. 나사: M4 유형, 벽걸이 거치대에 따라 14mm ~ 16mm 길이.

연결




- A. 3.5mm 오디오 잭**
연결된 HDMI, DisplayPort 및 USB-C Alt 모드 장치의 오디오 출력.
- B. HDMI 2.0 포트**
듀얼 HDMI 입력은 “HDMI-1” 및 “HDMI-2” 입력에 해당합니다.
- C. DisplayPort 1.4 포트**
DisplayPort 입력은 “DisplayPort” 입력에 해당합니다.
- D. USB Type-C 포트**
DisplayPort Alt 모드 및 업스트림 USB 입력 (USB 3.0 포트에 연결) 을 지원합니다. “TYPE-C” 입력에 해당합니다. CORSAIR iCUE 기능과 다운스트림 USB 3.0 포트를 지원하려면 이 포트 또는 USB 업스트림 포트를 호스트 장치의 USB 호환 포트에 연결해야 합니다.
- E. USB-IN 포트**
USB 업스트림 포트. CORSAIR iCUE 기능과 다운스트림 USB 3.0 포트를 지원하려면 이 포트 또는 USB Type-C 포트를 호스트 장치의 USB 호환 포트에 연결해야 합니다.
- F. USB 3.0 포트**
듀얼 Type-A 5Gbps USB 포트.
- G. DC In**
함께 제공되는 AC 어댑터에 연결합니다.

작동

컨트롤

○  — 전원 켜기/끄기

 — 누르기 - 디스플레이 설정 열기

위로 — 밝기 슬라이더 열기
아래로 — 사진 모드 선택 열기
왼쪽 — 볼륨 슬라이더 열기
오른쪽 — 입력 소스 선택 열기



모니터의 후면 우측에 조이스틱이 있는데, 이 조이스틱으로 바로 가기를 열고 디스플레이 설정을 탐색할 수 있습니다. USB 입력 포트를 통해 컴퓨터에 연결된 USB 허브가 있는 경우 이러한 설정 중 다수는 CORSAIR iCUE 소프트웨어에서도 제어할 수 있습니다. 설치할 수 있는 최신 버전의 iCUE (4.24 이상)는 <https://www.corsair.com/us/en/icue> 에서 제공됩니다.

화면 표시 (OSD)

조이스틱을 안쪽으로 누르면 모니터의 디스플레이 설정에 액세스할 수 있습니다. 조이스틱을 사용해 설정을 탐색할 수 있으며, 조이스틱을 안쪽으로 눌러 선택을 확인할 수 있습니다.

작동

OSD - 사진 설정

“그림”이라는 레이블이 지정된 첫 번째 메뉴에는 전체 사진 화질을 조정할 수 있는 다음과 같은 설정이 있습니다.



작동

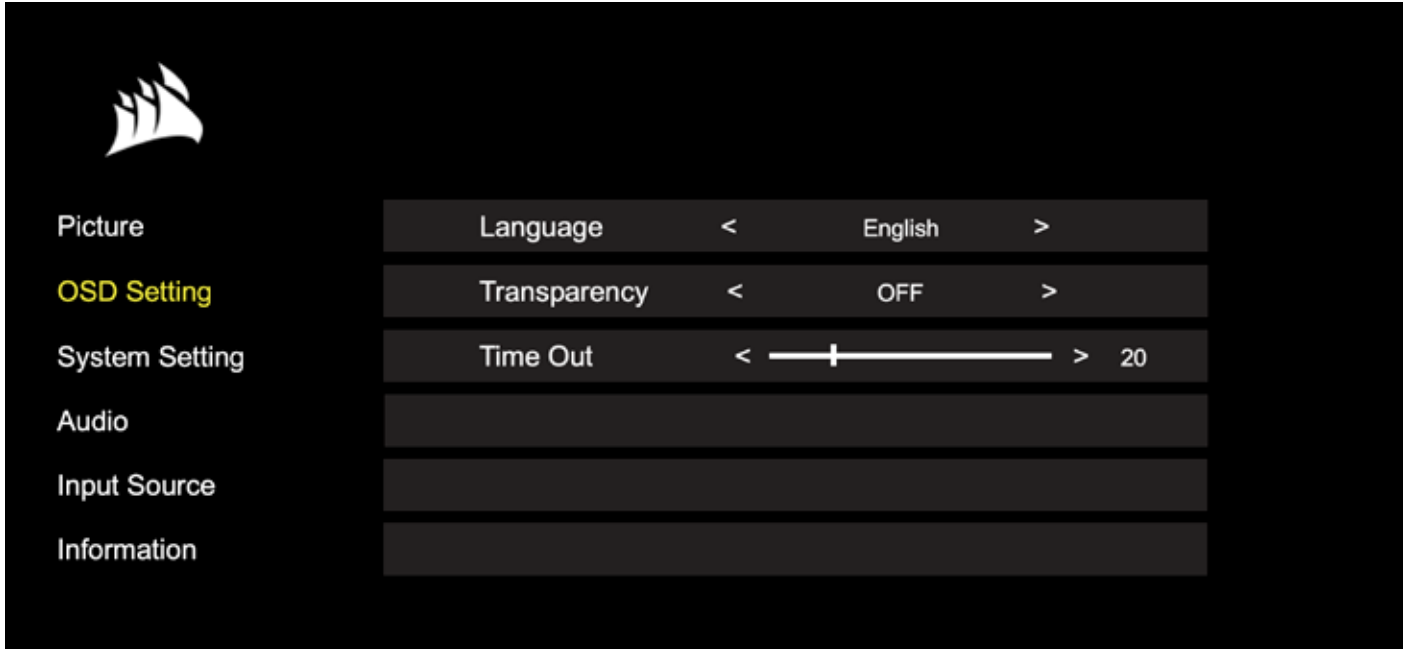
OSD - 사진 설정

설정	옵션	설명
사진 모드	표준	일반 용도와 최상의 절전을 위해 공장에서 보정된 디스플레이 사전 설정을 선택합니다
	무비	영화 감상에 최적화된 디스플레이 사전 설정을 선택합니다
	텍스트	텍스트 읽기에 최적화된 디스플레이 사전 설정을 선택합니다
	sRGB	sRGB 색 공간에 맞춰 공장에서 보정된 디스플레이 사전 설정을 선택합니다
	크리에이티브	콘텐츠 만들기 작업용으로 공장에서 보정된 디스플레이 사전 설정을 선택합니다
	게임	화면이 빠르게 움직이는 게임 플레이에 최적화된 디스플레이 사전 설정을 선택합니다
	DCI-P3	DCI-P3 색상 공간의 HDR 콘텐츠에 최적화된 디스플레이 사전 설정을 선택합니다
	AdobeRGB	AdobeRGB 색상 공간의 HDR 콘텐츠에 최적화된 디스플레이 사전 설정을 선택합니다
	HDR	운영 체제 디스플레이 설정에서 HDR 모드를 선택하면 HDR 을 표시합니다
밝기	0-100	디스플레이 백라이트의 강도를 조정합니다
대비	0-100	디스플레이의 대비를 조정합니다
선명도	0-10	디스플레이의 선명화 필터를 조정하여 가장자리 세부 표현을 강화합니다
색 온도	쿨	디스플레이의 색 온도를 9,300K 로 설정합니다
	보통	디스플레이의 색 온도를 표준 6,500K 로 설정합니다
	웜	디스플레이의 색 온도를 5,000K 로 설정합니다
	사용자 지정	빨간색, 파란색 및 녹색 수준을 제어하는 슬라이더를 사용하여 디스플레이의 색 온도를 수동으로 설정할 수 있습니다
감마	2.0, 2.2, 2.4	색과 밝기 사이의 관계를 조정합니다. 기본값은 2.2 입니다
포화도	0-10	디스플레이 색상의 농도를 조정합니다
시력 보호기	켜기 또는 끄기	사용 시 디스플레이의 청색광 방출량을 줄입니다
응답 시간	보통, 빠르게, 더 빠르게, 가장 빠르게, 다이내믹 OD	픽셀의 색상 간 전환되는 속도를 높여 빠르게 움직이는 객체의 흐림을 줄일 수 있습니다
오버레이 새로 고침	켜기 또는 끄기	오른쪽 상단 모서리에서 모니터의 현재 새로 고침 속도를 표시하는 오버레이를 전환하는데, 이는 적응형 동기화 기능을 사용할 때 초당 프레임 수를 추적하는 데 유용한 기능입니다
MPRT	켜기 또는 끄기	"켜기"로 설정하면 움직이는 객체의 흐림을 줄일 수 있는 "사진 이동 응답 시간" 설정을 전환합니다
로컬 어둡게 설정	켜기 또는 끄기	더 깊은 검정색과 향상된 명암비를 위해 백라이트의 특정 부분을 끕니다
십자 모양	끄기, 도트, 십자형, 각도	십자 모양 기능을 활성화합니다

작동

OSD – OSD 설정

“OSD 설정”이라는 레이블이 지정된 두 번째 메뉴에는 화면 표시를 조정할 수 있는 다음과 같은 설정이 포함되어 있습니다.

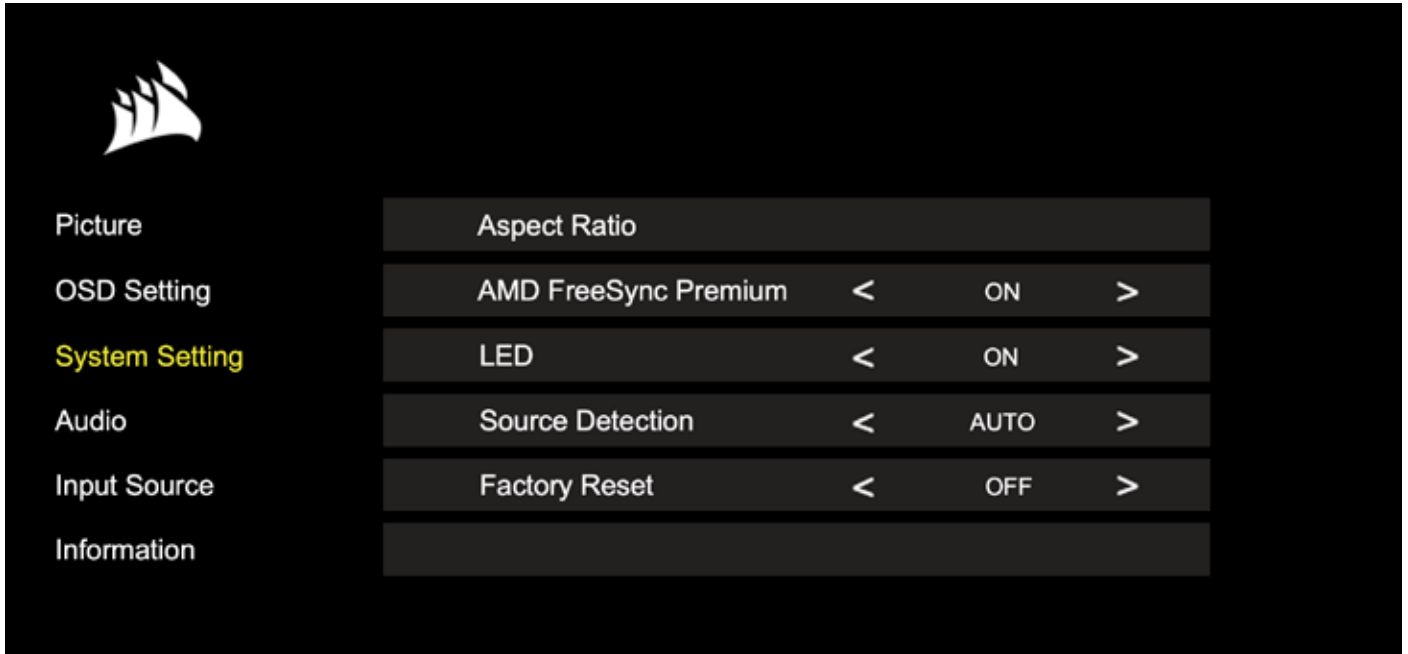


설정	옵션	설명
언어	English Français Deutsch Italiano Español Português Русский 繁體中文 日本語 한국어	OSD 의 언어를 선택합니다
투명도	켜기 또는 끄기	OSD 를 투명 또는 불투명으로 설정합니다
시간 초과	10-60	OSD 가 사라지기까지 화면에 남아 있는 시간 (초) 을 조정합니다

작동

OSD – 시스템 설정

“시스템 설정”이라는 레이블이 지정된 세 번째 메뉴에는 디스플레이 내부 설정을 조정하는 다음과 같은 설정이 포함되어 있습니다.



작동

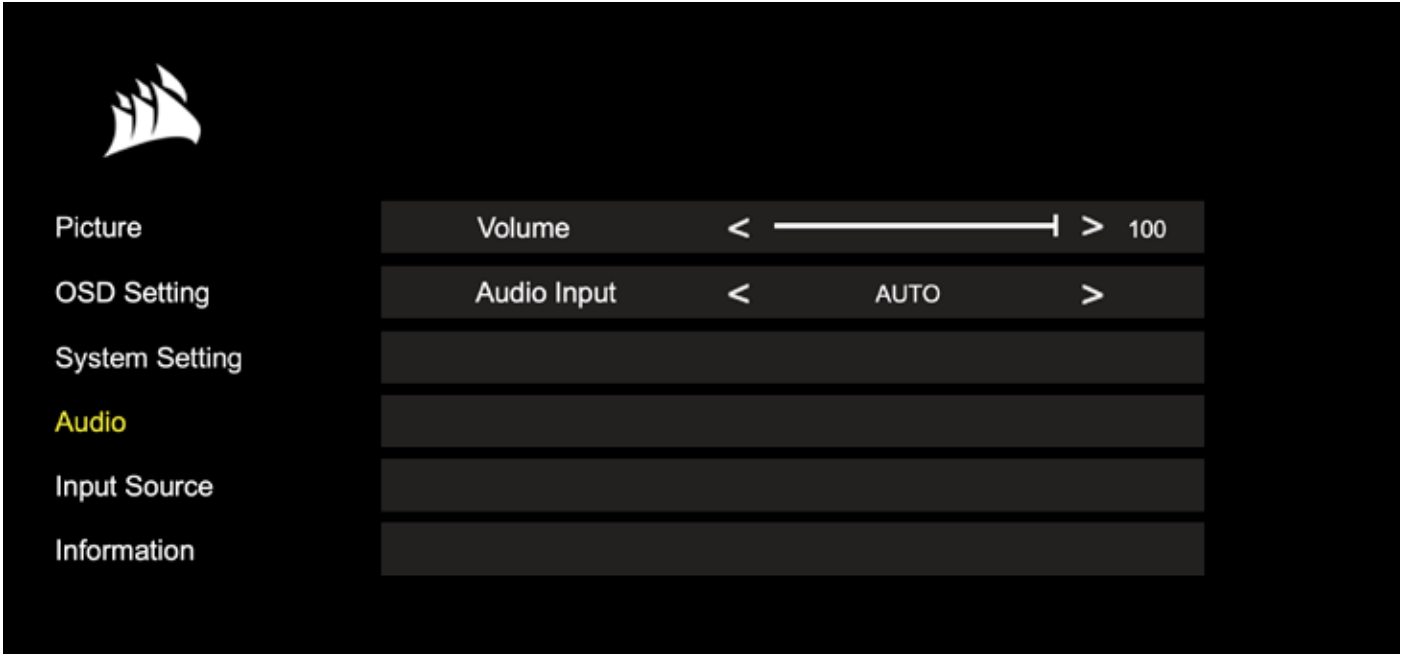
OSD - 시스템 설정

설정	옵션	설명
가로 세로 비율	자동, 4:3, 16:9	디스플레이의 가로 세로 비율을 선택합니다. “자동”으로 설정하면 디스플레이의 가로 세로 비율을 들어오는 비디오 신호와 일치시키려 합니다. Adaptive Sync 가 사용 설정된 상태에서는 이용할 수 없습니다
AMD FreeSync Premium	켜기 또는 끄기	<p>호환되는 GPU 에 연결된 경우 적응형 동기화 기능을 사용 설정하거나 사용 중지합니다. HDMI 를 통해 AMD FreeSync 에 대한 적응형 동기화를 사용 설정하려면 켜기를 선택합니다</p> <p>NVIDIA G-Sync 호환성은 DP 케이블 또는 USB Type-C Alt 모드 케이블을 통해 호환 GPU 에 연결된 경우 사용할 수 있습니다. NVIDIA G-Sync 기능의 경우:</p> <ul style="list-style-type: none"> • NVIDIA 제어판 설치/열기 • “G-Sync 설정” 선택 • G-Sync 호환 사용 확인란 선택 • 32QHD240/RDD0020 선택을 선택합니다 • “선택한 디스플레이 모델에 대한 설정 사용” 확인란을 선택합니다 <p>NVIDIA 설정에 액세스하려면 시스템을 재부팅해야 할 수 있습니다</p>
LED	켜기 또는 끄기	전면 전원 LED 표시등 켜기 또는 끄기를 선택합니다
소스 감지	자동 또는 수동	신호를 감지할 경우 디스플레이가 자동으로 다른 입력으로 전환되는지 또는 입력 간에 수동으로 전환해야 하는지 여부를 결정합니다
USB-C Alt 모드 (디스플레이가 USB-C 비디오 포트를 통해 연결된 경우에만 표시됨)	4 레인 2 레인	<p>비디오용 USB-C 포트에 사용할 USB 레인 수를 전환합니다</p> <ul style="list-style-type: none"> • 4 레인 모드는 최대 2560x1440@240Hz 해상도를 허용하지만, USB Type-A 포트의 속도가 USB 2.0 으로 감소합니다 • 2 레인 모드는 최대 2560x1440@120Hz 를 허용하지만, USB 3.0 속도로 USB Type-A 를 사용합니다
공장 초기화	켜기 또는 끄기	모든 모니터 설정을 공장 기본값으로 초기화합니다

작동

OSD – 오디오

“오디오”라는 레이블이 지정된 네 번째 메뉴를 사용하여 디스플레이의 오디오를 제어할 수 있습니다.

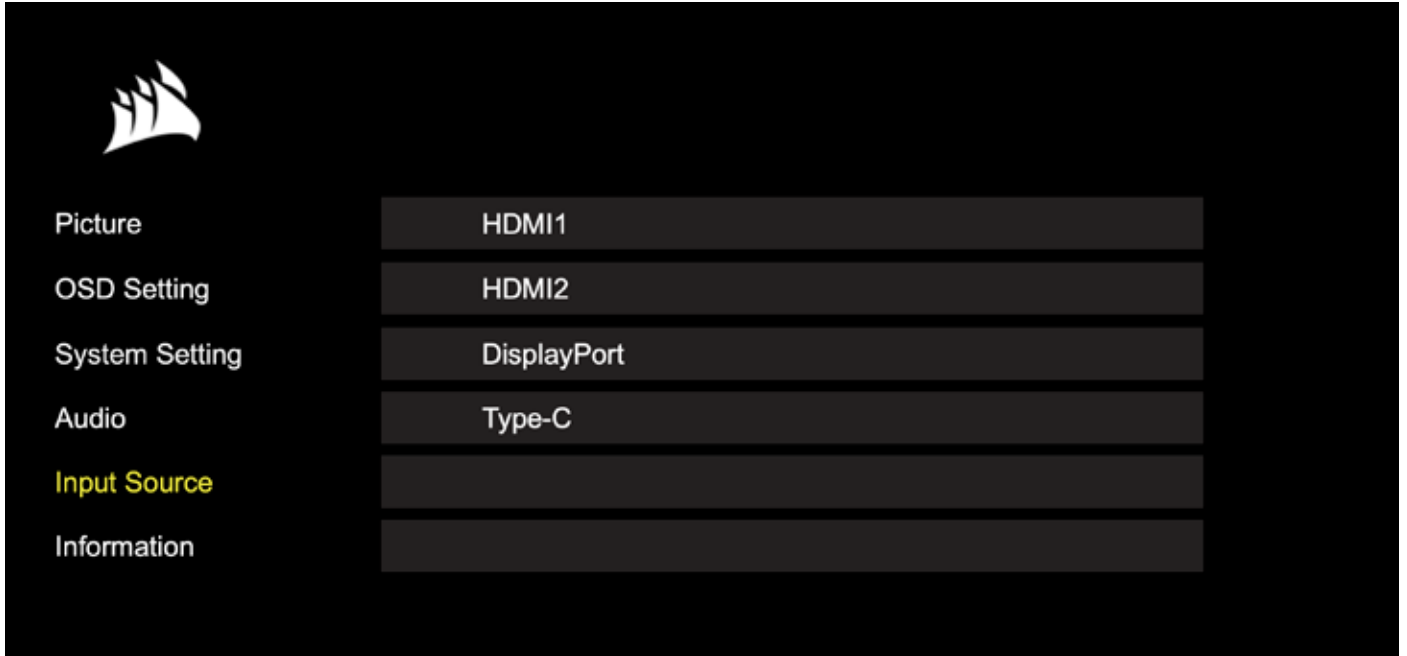


설정	옵션	설명
볼륨	0-100	헤드폰 잭에서 오디오 출력의 볼륨을 조정합니다
오디오 입력	자동, HDMI-1, HDMI-2, DisplayPort, USB Type-C	디스플레이가 헤드폰 잭으로 오디오를 전달하는 입력을 선택합니다. "자동"으로 설정하면 현재 입력을 사용합니다

작동

OSD – 입력 선택

“입력 선택”이라는 레이블이 지정된 다섯 번째 메뉴를 사용하여 디스플레이의 다양한 입력 간에 전환할 수 있습니다.

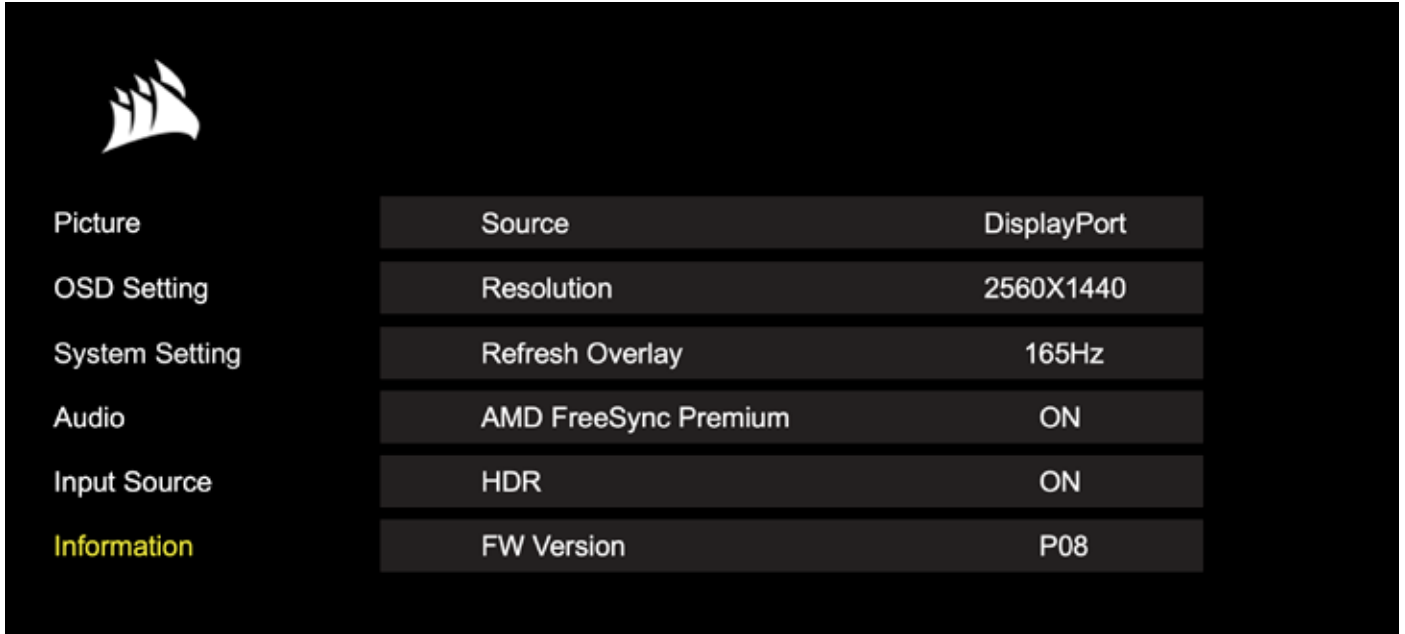


설정	설명
HDMI-1	HDMI-1 포트에 연결된 장치로 전환합니다
HDMI-2	HDMI-2 포트에 연결된 장치로 전환합니다
DisplayPort	“DP” DisplayPort 포트에 연결된 장치로 전환합니다
TYPE-C	TYPE-C 포트에 연결된 장치로 전환합니다

작동

OSD - 정보

주요 기능의 현재 설정 상태를 제공합니다.



Picture	Source	DisplayPort
OSD Setting	Resolution	2560X1440
System Setting	Refresh Overlay	165Hz
Audio	AMD FreeSync Premium	ON
Input Source	HDR	ON
Information	FW Version	P08

설정	설명
소스	현재 입력 소스 표시
해상도	현재 디스플레이 해상도 표시
오버레이 새로 고침	현재 화면 주사율 표시
AMD FreeSync Premium	AMD FreeSync Premium 상태
HDR	HDR 상태
FW 버전	현재 FW 버전 표시

작동

CORSAIR XENEON 32QHD240 게이밍 모니터 FAQ

질문	답변																						
전원 LED 가 켜지지 않습니다	모니터 뒷면의 전원 버튼을 눌러 켜기로 설정되어 있는지 확인하십시오.																						
	전원 케이블이 모니터와 전원 어댑터에 완전히 꽂혀 있는지 확인하십시오.																						
	OSD 시스템 설정 메뉴의 전원 LED 토글이 켜져 있는지 확인하십시오.																						
화면에 이미지가 없습니다	모니터가 켜져 있는지 확인하십시오.																						
	비디오 케이블이 모니터와 소스 장치에 올바르게 연결되어 있는지 확인하십시오.																						
	비디오 케이블의 품질을 점검하고 케이블이 손상되지 않았는지 확인하십시오. 품질이 낮은 비디오 케이블 및 연장선을 사용하지 마십시오.																						
	모니터가 어떤 비디오 소스 입력으로 설정되어 있는지 확인하십시오 (OSD 에서 자동 소스 기능이 사용 중지된 경우).																						
	다른 소스 장치를 연결하여 모니터 비디오 입력을 테스트하십시오.																						
	소스 장치를 사용 가능한 다른 모니터에 연결하여 비디오 출력을 테스트하십시오.																						
이미지가 너무 밝습니다/ 어둡습니다	OSD 를 통해 밝기/감마/대비 설정을 조정하십시오.																						
	모니터를 공장 설정으로 초기화하십시오.																						
비디오 신호가 지원되지 않습니다	소스 장치의 비디오 출력 설정을 확인하십시오. CORSAIR XENEON 32QHD240 게이밍 모니터에서 지원되는 입력 해상도는 다음과 같습니다.																						
	<table border="1"> <thead> <tr> <th>해상도</th> <th>새로 고침 속도</th> </tr> </thead> <tbody> <tr> <td>640x480</td> <td>60, 67, 72, 75Hz</td> </tr> <tr> <td>800x600</td> <td>56, 60, 72, 75Hz</td> </tr> <tr> <td>1024x768</td> <td>60, 70, 75Hz</td> </tr> <tr> <td>1280x1024</td> <td>60, 75Hz</td> </tr> <tr> <td>1440x900</td> <td>60Hz</td> </tr> <tr> <td>1680x1050</td> <td>60Hz</td> </tr> <tr> <td rowspan="2">1920x1080</td> <td>60Hz</td> </tr> <tr> <td>144, 165Hz (DP, Type-C)</td> </tr> <tr> <td rowspan="2">2560x1440</td> <td>60, 120, 144Hz</td> </tr> <tr> <td>165, 180, 240Hz (DP, Type-C)</td> </tr> <tr> <td>3840x2160</td> <td>30, 60Hz (다운스케일 콘솔 지원용)</td> </tr> </tbody> </table>	해상도	새로 고침 속도	640x480	60, 67, 72, 75Hz	800x600	56, 60, 72, 75Hz	1024x768	60, 70, 75Hz	1280x1024	60, 75Hz	1440x900	60Hz	1680x1050	60Hz	1920x1080	60Hz	144, 165Hz (DP, Type-C)	2560x1440	60, 120, 144Hz	165, 180, 240Hz (DP, Type-C)	3840x2160	30, 60Hz (다운스케일 콘솔 지원용)
	해상도	새로 고침 속도																					
	640x480	60, 67, 72, 75Hz																					
	800x600	56, 60, 72, 75Hz																					
	1024x768	60, 70, 75Hz																					
	1280x1024	60, 75Hz																					
	1440x900	60Hz																					
	1680x1050	60Hz																					
	1920x1080	60Hz																					
144, 165Hz (DP, Type-C)																							
2560x1440	60, 120, 144Hz																						
	165, 180, 240Hz (DP, Type-C)																						
3840x2160	30, 60Hz (다운스케일 콘솔 지원용)																						

작동

CORSAIR XENEON 32QHD240 게이밍 모니터 FAQ

질문	답변
CORSAIR XENEON 32QHD240 은 USB-C 를 통한 비디오를 지원합니까?	예, CORSAIR XENEON 32QHD240 은 전용 Type-C DP ALT 입력으로 USB-C 를 통한 DisplayPort 를 지원합니다. 최상의 결과를 얻으려면, 포함된 1.5m Type-C 케이블을 사용하거나, USB 3.2 Gen 2 를 지원하는 고품질 USB Type-C 케이블을 사용하십시오.
단일 USB-C 케이블을 사용하여 USB-C Alt 모드를 지원하는 장치에 연결할 때 모니터의 USB-A 포트에 연결된 장치를 사용할 수 없습니다	기본적으로 USB-C Alt 모드는 USB-C 를 통한 전체 DisplayPort 해상도를 허용하는 “4 레인” 모드에서 작동하지만, 이로 인해 USB Type-A 포트의 사용이 중지됩니다. 타입 C DP ALT 입력을 통해서만 연결된 경우 USB Type-A 포트를 다시 사용 설정하려면 “2 레인” 모드로 전환하십시오. 그러면 지원되는 비디오 출력 해상도가 제한됩니다. 해상도가 제한되는 이유는 모니터의 USB Type-A 포트에 연결된 주변 장치에서 USB Type-A 포트를 다시 사용 설정하기 위해서입니다. 또는 전체 비디오 해상도 및 USB 포트 기능을 위해 소스 장치를 USB 다운스트림 포트와 TYPE-C DP ALT 포트에 연결할 수 있습니다. 최상의 결과를 얻으려면, USB 3.2 Gen 2를 지원하는 고품질 USB Type-C 케이블을 사용하십시오.
이미지가 늘어나거나 찌그러집니다	“시스템 설정”에서 “가로 세로 비율” 설정을 확인하십시오. 기본적으로 “자동”으로 설정되어 있지만, 특정 경우에는 수동으로 가로 세로 비율을 설정해야 할 수도 있습니다(예: 어댑터와 레트로 게임 콘솔의 특정 조합의 경우).
이미지에 색상 문제가 있습니다	비디오 케이블의 품질을 점검하고 케이블이 손상되지 않았는지 확인하십시오. 품질이 낮은 비디오 케이블 및 연장선을 사용하지 마십시오.
	모니터를 공장 설정으로 초기화하십시오.
	OSD를 통해 사진 설정을 조정하십시오.
화면 이미지의 아티팩트	비디오 케이블의 품질을 점검하고 케이블이 손상되지 않았는지 확인하십시오.
	소스 장치를 확인하십시오. 그래픽 카드 또는 게임 콘솔에 결함이 있는 경우 제조업체에 도움을 요청해야 할 수 있습니다.
모니터에 불량 화소가 있습니다	CORSAIR 는 모니터 제품에 대해 “제로 불량 화소” 정책을 제공하며, 3 년의 보증 기간 동안 밝은 픽셀이 1 개 이상 또는 어두운 서브 픽셀이 6 개 이상이 발견되면 모니터를 교환해 드립니다.
어떤 종류의 VESA 마운트가 호환됩니까?	CORSAIR XENEON 32QHD240 은 표준 100mm x 100mm 마운트를 지원하므로 모니터 헤드를 스탠드에서 제거해야 합니다. VESA 마운트와 함께 제공된 장착 나사를 사용하십시오.

작동

CORSAIR XENEON 32QHD240 게이밍 모니터 FAQ

질문	답변
웹캠이나 DSLR/미러리스 카메라를 장착할 수 있습니까?	CORSAIR XENEON 32QHD240 은 디스플레이 상단 베젤에 있는 표준 웹캠을 지원합니다.
CORSAIR XENEON 모니터가 CORSAIR iCUE 에서 감지되지 않습니다	PC 에 최신 버전의 CORSAIR iCUE가 설치되어 있는지 확인하십시오. CORSAIR XENEON 32QHD240 은 iCUE 버전 4.24 이상에서 지원됩니다.
	모니터의 USB-C 업스트림과 PC의 USB 3.0 포트에 연결된 케이블이 제대로 연결되어 있는지 확인하십시오. 가능하면 USB 허브나 연장선을 통해 모니터를 연결하지 마십시오. 최상의 결과를 얻으려면 CORSAIR XENEON 모니터와 함께 제공된 USB-C 케이블을 사용하는 것이 적극 권장됩니다.
CORSAIR XENEON 에서 사용할 수 있는 적응형 새로 고침 속도 옵션은 무엇입니까?	CORSAIR XENEON 32QHD240 은 AMD FreeSync Premium 인증을 획득했으며 NVIDIA G-SYNC 와도 호환됩니다.
AMD FreeSync/G-SYNC 를 활성화할 수 없습니다	OSD를 통해 AMD FreeSync 를 사용하도록 설정되어 있는지 확인하십시오.
	그래픽 카드 설정을 점검하고 AMD FreeSync / NVIDIA G-SYNC 가 사용 설정되어 있는지 확인하십시오. AMD FreeSync 는 모든 비디오 포트에서 작동합니다. NVIDIA G-Sync 호환성은 DP 또는 USB Type-C Alt 모드 DP 에서만 작동합니다.
모니터의 정격 240Hz 새로 고침 속도를 이용할 수 없습니다	그래픽 카드/시스템 디스플레이 설정을 점검하고 240Hz 새로 고침 속도를 사용하도록 설정되어 있는지 확인하십시오. 사용 가능한 옵션은 부록의 지원되는 디스플레이 모드 표를 참조하십시오.
	비디오 케이블의 품질을 점검하고 케이블이 손상되지 않았는지 확인하십시오. 품질이 낮은 비디오 케이블 및 연장선을 사용하지 마십시오.

부록

기술 사양

제품명	XENEON 32QHD240
부품 번호	CM-9020002-XX 스탠드 포함 CM-9020004-XX 스탠드 미포함
장치	RDD0020
USB 허브 ID	CORSAIR USB 3.0 Hub
패널 크기	32" 대각선
디스플레이 표면	논글레어
인치당 픽셀	91.8
가로 세로 비율	16:9
기본 해상도	2560 x 1440 @ 240Hz
응답 시간 (MPRT)	1ms
응답 시간 (GtG)	5ms
디스플레이 색상	16.7M 컬러 (8 비트 RGB)
패널 기술	Quantum Dot 기술이 적용된 IPS
플리커 프리	예
시야각	178° (H) / 178° (V)
피크 밝기	400 니트 (SDR) / 600 니트 (HDR)
정적 대비 비율	1000:1
HDR 인증	VESA DisplayHDR 600
색 영역 (CIE 1976)	98% (DCI-P3), 100% (AdobeRGB), 100% (sRGB)
가변 화면 주사율	AMD FreeSync Premium 인증, NVIDIA G-Sync 호환
HDMI 입력	2x HDMI 2.0
DisplayPort 입력	1x DisplayPort 1.4
USB-C 입력	1x DisplayPort 1.4 (USB-C Alt 모드), 15W 전력 공급, USB 5Gbps 데이터 업스트림
USB-C 업스트림 입력	1x 5Gbps USB-C
USB-A 출력	2x 5Gbps Type-A USB (5V/0.9A *2)
3.5mm 오디오	예, 비디오 입력에서의 패스스루

부록

기술 사양

전력 소비량 (켜짐)	40W
전력 소비량 (절전)	<0.5W
전력 소비량 (꺼짐)	<0.3W
VESA 호환성	100mm x 100mm
치수	732mm x 553mm x 270mm (W x H x D)
중량	8.4kg
스탠드 틸트	-5° / +20°
스탠드 회전	-30° / +30°
스탠드 높이 조절 범위	68mm
AC 어댑터	150W
	참고: 장치에서 사용되는 전원공급장치는 다음과 같습니다. Asian Power Devices Inc. / DA-150E19”

지원되는 디스플레이 모드

해상도		화면 주사율	HDMI	DP/TYPE-C
640x480	VGA	60Hz	V	V
		67Hz	V	V
		72Hz	V	V
		75Hz	V	V
800x600	SVGA	56Hz	V	V
		60Hz	V	V
		72Hz	V	V
		75Hz	V	V
1024x768	XGA	60Hz	V	V
		70Hz	V	V
		75Hz	V	V

부록

지원되는 디스플레이 모드

해상도		화면 주사율	HDMI	DP/TYPE-C
1280x1024	SXGA	60Hz	V	V
		75Hz	V	V
1440x900	WXGA+	60Hz	V	V
1680x1050	WSXGA+	60Hz	V	V
1920x1080	FHD	60Hz	V	V
		144Hz		V
		165Hz		V
2560x1440	QHD	60Hz	V	V
		120Hz	V	V
		144Hz	V	V
		165Hz		V
		180Hz		V
		240Hz		V
480P	60Hz	V	V	
576P	50Hz	V	V	
720P	50Hz	V	V	
	60Hz	V	V	
	120Hz	V	V	
1080P	60Hz	V	V	
	120Hz	V	V	
2160P	30Hz	V	V	
	60Hz	V	V	

HDMI 법적 고지



HDMI

HDMI, HDMI High-Definition Multimedia Interface(고화질 멀티미디어 인터페이스), HDMI 트레이드 드레스 및 HDMI 로고라는 용어는 HDMI Licensing Administrator, Inc. 의 상표 또는 등록 상표입니다.



Web: corsair.com

Phone: (888) 222-4346

Warranty: corsair.com/support/warranty

Support: support.corsair.com

Blog: corsair.com/blog

Forum: forum.corsair.com

YouTube: youtube.com/corsairhowto

© 2022 - 2023 **CORSAIR MEMORY, Inc.** All rights reserved. CORSAIR and the sails logo are registered trademarks of CORSAIR in the United States and/or other countries. All other trademarks are the property of their respective owners. Product may vary slightly from those pictured. 49-002623 AB

